

Main Index

<div style="border: 1px solid black; padding: 2px; display: inline-block; text-align: center;">W</div> <div style="border: 1px solid black; padding: 2px; display: inline-block; text-align: center; margin-left: 5px;">Index</div>	<p>Index</p> <p>Updates.....</p>	<p>Page A01 - A02</p> <p>Page A03</p>
<div style="border: 1px solid black; padding: 2px; display: inline-block; text-align: center;">A</div> <div style="border: 1px solid black; padding: 2px; display: inline-block; text-align: center; margin-left: 5px;">W</div>	<p>Profiles</p> <p>Specification Pages</p> <p>Technical Information</p> <p>Scale Profile Drawings</p>	<p>Page A04 - A08</p> <p>Page A09 - A18</p> <p>Page A19 - A44</p>
<div style="border: 1px solid black; padding: 2px; display: inline-block; text-align: center;">B</div> <div style="border: 1px solid black; padding: 2px; display: inline-block; text-align: center; margin-left: 5px;">W</div>	<p>Accessories</p> <p>Photos & Drawings</p>	<p>Page B01 - B44</p>
<div style="border: 1px solid black; padding: 2px; display: inline-block; text-align: center;">C</div> <div style="border: 1px solid black; padding: 2px; display: inline-block; text-align: center; margin-left: 5px;">W</div>	<p>Sections</p> <p>Window - Scale Elevations</p> <p>Open Out Door - Scale Elevations</p> <p>Open In Door - Scale Elevations</p>	<p>Page C01 - C73</p> <p>Page C74 - C93</p> <p>Page C94 - C112</p>
<div style="border: 1px solid black; padding: 2px; display: inline-block; text-align: center;">D</div> <div style="border: 1px solid black; padding: 2px; display: inline-block; text-align: center; margin-left: 5px;">W</div>	<p>Statics</p>	<p>Page D01 - D02</p>
<div style="border: 1px solid black; padding: 2px; display: inline-block; text-align: center;">E</div> <div style="border: 1px solid black; padding: 2px; display: inline-block; text-align: center; margin-left: 5px;">W</div>	<p>Construction Drawings</p> <p>Corner Joint Details</p> <p>Corner Crimping</p> <p>Drainage</p> <p>Angled Sub Cill</p> <p>Mullion/Transom Details</p> <p>Friction Stays</p> <p>Friction Stay Accessories</p> <p>Lock Installation</p> <p>Window French Casement</p> <p>Peg Stays</p> <p>Tilt & Turn Size Chart</p> <p>Tilt & Turn Drainage</p> <p>Tilt & Turn Size Outer Frame & Sash Preparation</p> <p>Tilt & Turn Size Transom/Mullion</p> <p>Open Out Door Lock Preparation</p> <p>Open Out Meeting Stile Preparation</p> <p>Open Out Door Hinge Details</p> <p>90° Restrictor</p> <p>Open In Door Lock Preparation</p> <p>Open In Meeting Stile Preparation</p> <p>Open In Door Hinge Details</p> <p>Glazing Details</p> <p>Bay Pole Options</p> <p>Example Layout</p> <p>Fixing Strap Guide</p>	<p>Page E03</p> <p>Page E04 - E05</p> <p>Page E06 - E07</p> <p>Page E08</p> <p>Page E09 - E13</p> <p>Page E14 - E15</p> <p>Page E16</p> <p>Page E17 - E20</p> <p>Page E21</p> <p>Page E22</p> <p>Page E23</p> <p>Page E24</p> <p>Page E25</p> <p>Page E26</p> <p>Page E27 - E28</p> <p>Page E29</p> <p>Page E30</p> <p>Page E31</p> <p>Page E32 - E33</p> <p>Page E34 - E35</p> <p>Page E36</p> <p>Page E37 - E40</p> <p>Page E41 - E42</p> <p>Page E43</p> <p>Page E44</p>

Main Index



Sawing Tables

Fixed Light	Page F03 - F05
Side Hung Casement	Page F06 - F07
Top Hung Casement	Page F08
Side Hung Casement Adjacent to Fixed light	Page F09
Top Hung Over Fixed Light	Page F10
Fixed Light Over Top Hung	Page F11
Side Hung Casement Adjacent to Side Hung Casement	Page F12
Tilt & Turn	Page F13
Tilt & Turn Adjacent to Fixed Light	Page F14
Open Out Single Door	Page F15 - F17
Open Out Double Door	Page F18 - F19
Open In Single Door	Page F20 - F21
Open In Double Door	Page F22 - F23

Updates

DATE	PAGE	DESCRIPTION
27-01-17	E.33-E.36	The glazing wedge gasket ACW20038 Has been replaced with ACET840 as the original was too loose in the section. This amendment only applies to section W20122
04-07-17	E.23	ACSB787 updated to new number ACSZ905
12-07-17	B.27, E.25 & E.29 C.67 & C.81	Added left and right details for ACW20138 Amended handle details
13-02-18	B28, E15 & E16 A12, A25, A27, A29 & E05 B32 B31 & E04 B17 & B25	Added Handle fixing blocks Added Sections W20125N, W20132, W20133, W20145, W20172 & W20173 Added ACINDP24 Stay Updated ACW910 to ACW910N Added Handles ACSM010L/R & Peg Stay ACW20108
13-03-18	A14	Amended ETC047 lxx and lyy values.
05-09-18	ALL SECTIONS	<p>Added Sections;</p> <p>W20111 - Long Leg Outerframe W20112 - Long Leg Outerframe W20126 - Door Sash with Eurogroove W20131 - Reinforced Tilt and Turn Mullion W20139 - Reinforced Transom / Mullion W20171 - Internal Square Bead W20176 - 36mm Glazing Bead</p> <p>Added Accessories;</p> <p>ACCY4530S1 - 45/30 High Security Cylinder ACET463 - Locking Tilt and Turn Handle ACET464 - Non-Locking Tilt and Turn Handle</p>

Specification

GENERAL DESCRIPTION

The "Alitherm Heritage" window system described in this manual is designed to offer a modern aluminium thermally broken replacement to steel windows. Taking inspiration from traditional steel windows, Alitherm Heritage features signature slim sightlines and attractive aesthetic contours coupled with polyamide thermal break technology giving Alitherm Heritage enhanced thermal performance and narrow sightlines.

The Alitherm Heritage is designed to be built as a series of horizontal or vertical modules which can be stacked using horizontal couplers to form a multi-part window featuring a specially design drip bar between modules.

Applications:

Windows:

- Fixed windows
- Side hung open out casements
- Top hung open out casements
- Tilt & Turn

Doors:

- Single open out & open in doors
- Double open out & open in doors

Corner assembly of Alitherm Heritage is crimping only.

RECOMMENDED DESIGN TILT/TURN & DOOR LIMITATIONS

Windows

Tilt & Turn Vents:

Maximum Width: 1200mm
Minimum Width: 402mm
Maximum Height: 1600mm (at 900mm wide)
Minimum Height: 600mm (SB Chrono)
500mm (Fapim)
Maximum Weight: 90kg
See page E22 for more details

Doors

Door Sashes:

Maximum Width: 900mm
Minimum Width: 600mm
Maximum Height: 2100mm
Minimum Height: 1000mm (leaving 3 locking points)
Maximum Weight: 60kg

SEE PAGE A05 FOR CASEMENT DESIGN LIMITATIONS

For advise on window sizes outside of the recommended design limitations, please contact the Technical Department at Smart Systems Ltd Tel: 01934 876100

Specification

Kitemark™ Certificate No. KM 81580

WINDOW DESIGN LIMITATIONS & PERFORMANCE CHARACTERISTICS

Window Type	Width (mm) Maximum	Height (mm) Maximum	Weight (kg) Maximum	Area (M ²) Maximum	Friction Stays (up to and including)	Transom/Mullion Length (mm) inc frame - Maximum	Air Permeability classification	Water tightness classification	Resistance to Wind classification	Exposure category as given in Table 1 of BS 6375-1:2009
Sash dimensions for windows with approved sash profiles:										
Projecting top hung Internally beaded	1400	1400	40	-	24"	-	4	7A	AE2400	2000+
Projecting top hung Externally beaded	1400	1400	40	-	24"	-	4	5A	AE2400	2000+
Projecting side hung Internally beaded	600	1400	28	-	16"	-	4	7A	AE2400	2000+
Projecting side hung Externally beaded	600	1400	28	-	16"	-	4	5A	AE2400	2000+
Overall dimensions for windows with approved outer frame profiles:										
Fixed Internally Beaded	2100	2100	-	4.2	-	-	4	7A	AE2400	2000+
Fixed Externally Beaded	2100	2100	-	4.2	-	-	4	5A	AE2400	2000+
Overall dimensions for approved outer frames & transom/mullion profiles:										
Multilights* W2035 T/M Internally Beaded	2100	2100	-	2.5	-	1450	4	7A	AE2400	2000+
Multilights* W2035 T/M Externally Beaded	2100	2100	-	2.5	-	1450	4	5A	AE2400	2000+

*Transom/mullion subject to
lxx/lyy requirements

Please see pages B36, 37 & 38 for more
guidance on vent sizes, limitations &
hardware selection.

⚠ Important! ⚠

The size parameters shown against Kitemark are the maximum allowed without the need for further testing. Please note these are not necessarily the system parameters which may be smaller or larger. Please refer to fabrication parameters in this manual.

Specification

PROFILE SPECIFICATION

The window frames are constructed of aluminium alloy extrusion to BS EN 755-9 and BS EN 12020, extruded from 6063 T6 alloy. The internal and external extrusions are separated with a polyamide thermal break.

The external aluminium alloy extrusion is pre-treated and finished either:-

Anodised to BS 3987: 1987, grade AA25 to a natural self colour.

- a) Anodised to BS 3987 : 1987, grade AA25 to a natural colour.
- b) Polyester powder organic coating to BS 6496. Dual colour is available.

GENERAL MANUFACTURING

Outer and vent frames are made by cutting the frame profiles with accurate 45° mitred ends using Tungsten Carbide Tipped Saw Blades, operating at approximately 3000 rpm.

The corners are joined using the Alitherm Heritage crimping tools to form a cold forged corner joint (made by deforming small slugs of metal into the groove of the corner cleat).

The ends of transoms and mullions are profiled to fit the frame and fixed using self-tapping screws with a small joint sealant.

On polyester powder coated finishes, great care should be taken to avoid getting gap sealer on visible surfaces and should be removed as soon as possible with a clean cloth.

Care should be exercised when using products not supplied by Smart Systems Ltd as no responsibility can be accepted.

Specification

WINDOW DRAINAGE

As with all dry glazed systems, it is recommended that the window system is adequately drained and ventilated. Refer to drainage details in manual, if in doubt ask The Technical Department.

In order to get maximum performance and weather resistance it is recommended that drips are used over all vents.

OUTER FRAME MANUFACTURING INFORMATION

The outer frame members are cut with 45° mitred ends to the overall size required, measured to the longest point of the metal.

Prior to corner crimping the centre line position of any transoms or mullions should be marked on the outer frame members. Where the transom/mullion runs right through, it should be marked out on both jambs or head and cill members in pairs to ensure accurate alignment of the sections.

Using the marked centre line, Drill the transom/mullion fixing holes using a 5mm dia. drill bit.

Corners are formed by coating the cut faces to be joined with a suitable small gap sealer. Into the mitred corner insert the cleat glue and the required corner cleats and, where required, the aluminium corner chevrons. The two mitred ends are then brought together and crimped. The small gap sealer ensures a permanent joint and guards against the ingress of moisture and joint movement. After crimping the corner joint, special care should be taken to ensure any excess sealer is removed from painted surfaces.

Transoms or mullions are cut with square ends to the sizes calculated on the cutting formula sheets. The ends are then profiled to allow them to fit into the outer frame. Special tooling is available on request to profile the end of transom/mullion.

Prior to fixing of transoms and mullions smear the cut ends with a suitable small gap sealer. After fixing, special care should be taken to ensure any excess is cleared from painted surfaces.

VENT

Corners are formed by coating the cut faces to be joined with a suitable gap sealer. In the mitred corner insert the cleat glue and the required corner cleats and chevrons. The mitred ends are then brought together and crimped. The small gap sealer ensures a permanent joint and guards against the ingress of moisture and joint movement. Care should be taken to ensure any excess sealer is removed from the surfaces.

The cutting sizes produce vent frames with a cavity of 13mm.

When fixing, the friction stays into both the outer and vent frame, care should be taken to ensure that holes are located on 'V' grooves in the aluminium extrusions.

Specification

INTERNALLY BEADED ADAPTOR FRAME

The internally beaded adaptor frame members are cut with 45° mitred ends to the overall size required, measured to the longest point of metal. Care should be taken when measuring and cutting the frame members as only nominal clearance is required when the assembled frame is fixed in the outer frame.

Corners are formed by coating the cut faces to be joined with a suitable small gap sealer. Into the mitred corner insert the cleat glue and a corner cleat and the required corner chevrons. The small gap sealer ensures a permanent joint and guards against the ingress of moisture and joint movements. Care should be taken to ensure any excess sealer is removed from painted surfaces.

GLAZING

All beads are cut to suit the glazing aperture on the fully assembled window for glazing either at factory or on site as required. We recommend using black spacer bars.

EXTERNALLY BEADED GLAZING

Glazing beads are fitted to openings by cutting the horizontal beads square to head and cill of each vent and fixed light area. Vertical beads are cut at 45° or 90° both ends. When using glazing beads ETC364, ETC370, ETC371, ETC375, ETC376, ETC377, ETC378 & ETC379 slide retained ACET845 gasket into section and ensure it is not stretched. Insert bottom beads and two setting blocks to ensure glass will be centralized in vertical dimension of opening (glazing blocks must be full width of cavity to fully support glass or sealed unit), then insert top bead followed by side beads. Finish glazing by insertion of internal gaskets all round.

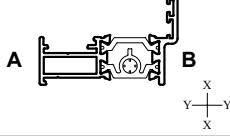
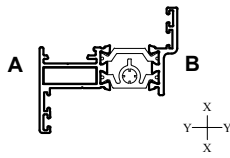
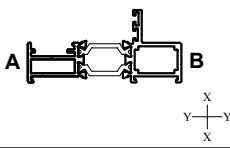
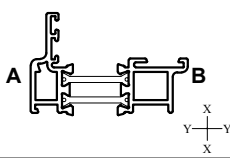
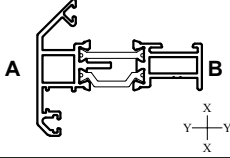
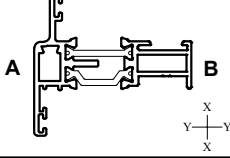
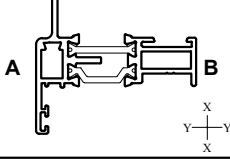
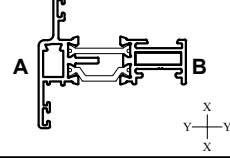
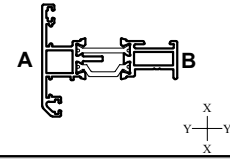
INTERNALLY BEADED GLAZING

Glazing beads are fitted to openings by cutting the horizontal beads square to head and cill of each vent and fixed light area. Vertical beads are cut square at both ends. Insert bottom beads and two setting blocks to ensure glass will be centralized in vertical dimension of opening (glazing blocks must be full width of cavity to fully support glass or sealed unit), then insert top bead followed by side beads. Finish glazing by insertion of internal gaskets all round except in the case of 28mm glazing where glazing tape is used in conjunction with vent profile W20026.

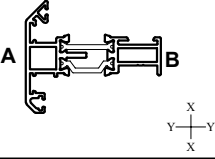
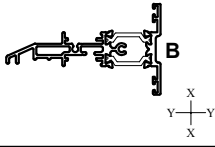
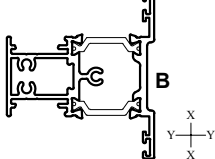
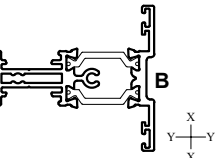
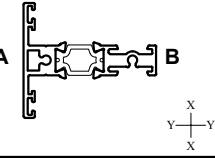
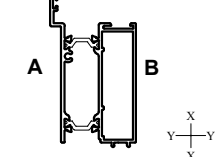
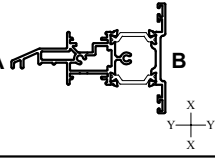
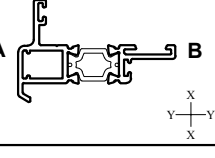
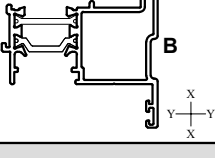
Alitherm Heritage Window U Values

Please refer to the Smart Systems' Document L White Paper or contact the Technical Department.

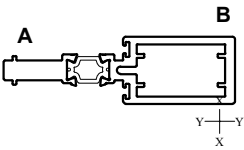
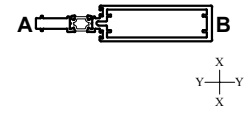

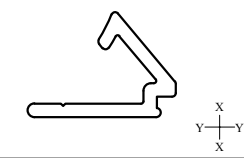
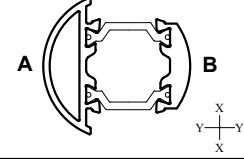
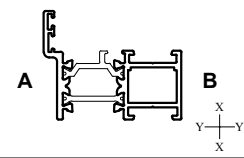
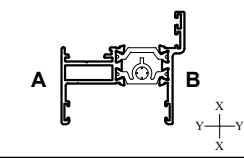
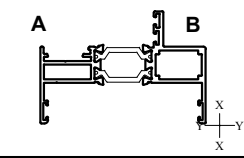
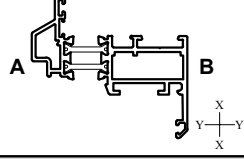
PROFILES : TECHNICAL INFORMATION

Number	Picture	Page	Perim. mm	Mec. mm	Ix(cm4) wx(cm3)	Iy(cm4) wy(cm3)	Length	Pack pr.	MF	SA	KL	HP	M	
W20015		A19	255	60	8.08 ----- 2.91	1.43 ----- 1.21	6.5	1	✓	✓	✓	✓	✓	
W20016		A19	300	77	10.26 ----- 3.72	2.59 ----- 1.1	6.5	1	✓	✓	✓	✓	✓	
W20017		A19	297	74	27.70 ----- 6.35	2.37 ----- 2.41	6.5	1	✓	✓	✓	✓	✓	
W20018		A21	262	63	9.74 ----- 3.08	2.42 ----- 1.07	6.5	1	✓	✓	✓	✓	✓	
W20024		A22	334	75	11.91 ----- 5.17	2.87 ----- 1.25	6.5	1	✓	✓	✓	✓	✓	
W20025		A22	309	74	9.74 ----- 3.08	2.42 ----- 1.07	6.5	1	✓	✓	✓	✓	✓	
W20026		A22	302	72	9.67 ----- 2.24	3.08 ----- 0.98	6.5	1	✓	✓	✓	✓	✓	
W20027		A24	321	74	10.10 ----- 3.24	2.43 ----- 1.08	6.5	1	✓	✓	✓	✓	✓	
W20028		A23	340	73	12.57 ----- 3.61	3.02 ----- 1.32	6.5	1	✓	✓	✓	✓	✓	
									A = Outside B = Inside		MF = Mill Finish SA = Silver Anodised KL = Basic Colour HP = Special Colour M = Dual Colour			

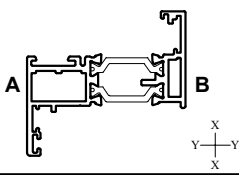
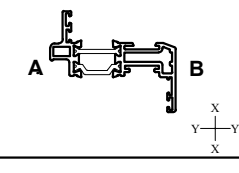

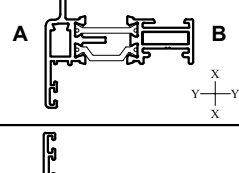
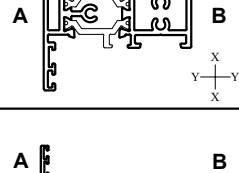
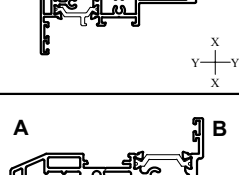
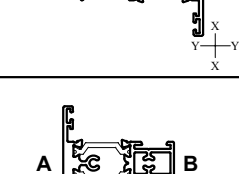
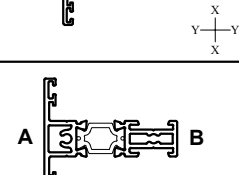
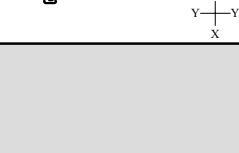
PROFILES : TECHNICAL INFORMATION

Number	Picture	Page	Perim. mm	Mec. mm	Ix(cm4) wx(cm3)	Iy(cm4) wy(cm3)	Length	Pack pr.	MF	SA	KL	HP	M	
W20029		A23	348	73	12.29 ----- 3.56	2.91 ----- 1.26	6.5	1	✓	✓	✓	✓	✓	
W20032		A27	456	153	25.92 ----- 5.09	2.81 ----- 1.16	6.5	1	✓	✓	✓	✓	✓	
W20034		A26	392	90	14.43 ----- 4.99	5.81 ----- 2.00	6.5	1	✓	✓	✓	✓	✓	
W20035		A26	351	78	10.67 ----- 3.45	2.72 ----- 1.13	6.5	1	✓	✓	✓	✓	✓	
W20037		A28	263	60	7.55 ----- 2.64	1.55 ----- 0.77	6.5	1	✓	✓	✓	✓	✓	
W20038		A30	453	156	12.91 ----- 5.55	28.05 ----- 7.34	6.5	1	✓	✓	✓	✓	✓	
W20039		A27	479	173	28.96 ----- 5.67	5.79 ----- 2.00	6.5	1	✓	✓	✓	✓	✓	
W20047		A31	237	45	5.39 ----- 1.64	1.08 ----- 0.74	6.5	1	✓	✓	✓	✓	✓	
W20048		A32	310	78	11.55 ----- 3.55	4.84 ----- 2.41	6.5	1	✓	✓	✓	✓	✓	
									A = Outside B = Inside		MF = Mill Finish SA = Silver Anodised KL = Basic Colour HP = Special Colour M = Dual Colour			

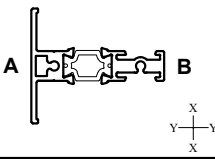
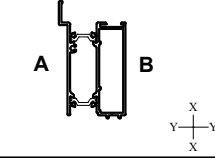
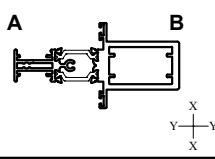
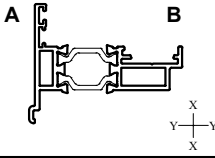
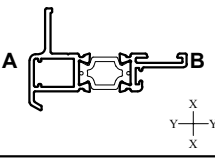
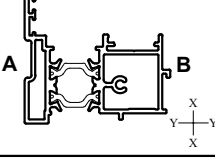
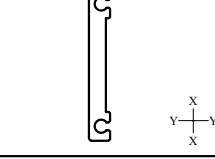
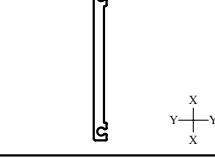
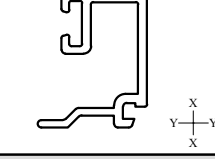
PROFILES : TECHNICAL INFORMATION

Number	Picture	Page	Perim. mm	Mec. mm	lx(cm4) wx(cm3)	ly(cm4) wy(cm3)	Length	Pack pr.	MF	SA	KL	HP	M	
W20051		A33	296	272	53.54 ----- 9.88	4.77 ----- 3.56	6.5	1	✓	✓	✓	✓	✓	
W20054		A33	376	206	146.55 ----- 19.89	8.24 ----- 6.15	6.5	1	✓	✓	✓	✓	✓	
W20065		A33	57	10	- ----- -	- ----- -	5	1	✓	✓	✓	✓		
W20066		A33	74	15	- ----- -	- ----- -	5	1	✓	✓	✓	✓		
W20069		A33	192	71	5.05 ----- 2.55	2.00 ----- 1.12	5	1	✓	✓	✓	✓	✓	
W20110		A21	297	76	10.64 ----- 4.01	3.05 ----- 1.95	6.5	1	✓	✓	✓	✓	✓	
W20111		A20	301	100	10.81 ----- 4.00	3.15 ----- 1.37	6.5	1	✓	✓	✓	✓	✓	
W20112		A20	340	113	22.77 ----- 6.14	3.48 ----- 1.50	6.5	1	✓	✓	✓	✓	✓	
W20120		A25	367	90	16.66 ----- 5.00	4.47 ----- 1.77	6.5	1	✓	✓	✓	✓	✓	
									A = Outside B = Inside		MF = Mill Finish SA = Silver Anodised KL = Basic Colour HP = Special Colour M = Dual Colour			

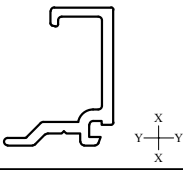
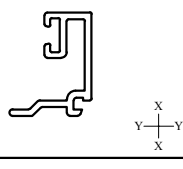
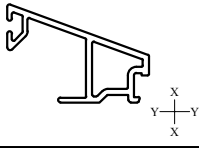
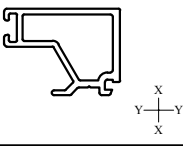
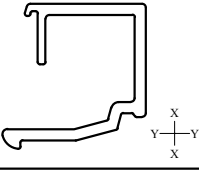
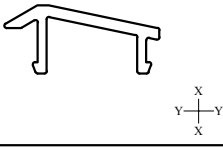
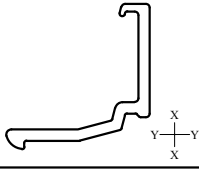
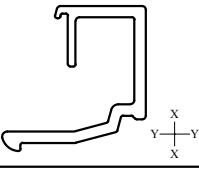
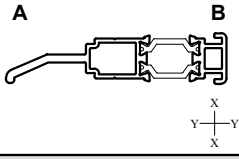
PROFILES : TECHNICAL INFORMATION

Number	Picture	Page	Perim. mm	Mec. mm	lx(cm4) wx(cm3)	ly(cm4) wy(cm3)	Length	Pack pr.	MF	SA	KL	HP	M	
W20122		A25	310	78	12.96 ----- 4.89	3.41 ----- 1.49	6.5	1	✓	✓	✓	✓	✓	
W20125N		A24	321	88	14.15 ----- 4.40	2.7 ----- 1.2	6.5	1	✓	✓	✓	✓	✓	
W20126		A24	316	100	13.70 ----- 3.77	3.26 ----- 1.38	6.5	1	✓	✓	✓	✓	✓	
W20127		A24	307	74	12.74 ----- 4.68	2.27 ----- 1.00	6.5	1	✓	✓	✓	✓	✓	
W20130		A29	378	117	14.39 ----- 4.89	4.30 ----- 1.59	6.5	1	✓	✓	✓	✓	✓	
W20131		A25	438	146	40.44 ----- 8.66	4.99 ----- 1.97	6.5	1	✓	✓	✓	✓	✓	
W20132		A27	392	164	25.92 ----- 5.12	2.92 ----- 1.28	6.5	1	✓	✓	✓	✓	✓	
W20133		A29	258	94	9.94 ----- 3.43	2.89 ----- 1.2	6.5	1	✓	✓	✓	✓	✓	
W20135		A30	270	64	7.37 ----- 4.12	1.82 ----- 0.86	6.5	1	✓	✓	✓	✓	✓	
									A = Outside B = Inside		MF = Mill Finish SA = Silver Anodised KL = Basic Colour HP = Special Colour M = Dual Colour			

PROFILES : TECHNICAL INFORMATION

Number	Picture	Page	Perim. mm	Mec. mm	lx(cm4) wx(cm3)	ly(cm4) wy(cm3)	Length	Pack pr.	MF	SA	KL	HP	M	
W20137		A28	238	56	7.30 ----- 2.61	1.26 ----- 0.62	6.5	1	✓	✓	✓	✓	✓	
W20138		A30	434	154	12.69 ----- 5.36	27.16 ----- 7.18	6.5	1	✓	✓	✓	✓	✓	
W20139		A26	428	175	57.16 ----- 11.08	7.32 ----- 3.05	6.5	1	✓	✓	✓	✓	✓	
W20145		A31	237	85	9.12 ----- 2.79	2.07 ----- 1.04	6.5	1	✓	✓	✓	✓	✓	
W20147		A31	224	43	5.33 ----- 1.64	0.96 ----- 0.66	6.5	1	✓	✓	✓	✓	✓	
W20148		A32	341	84	13.64 ----- 4.29	5.56 ----- 2.97	6.5	1	✓	✓	✓	✓	✓	
W20165		A35	68	32	- ----- -	- ----- -	4	1	✓	✓	✓	✓		
W20166		A35	100	48	- ----- -	- ----- -	4	1	✓	✓	✓	✓		
W20168		A37	110	27	- ----- -	- ----- -	5	1	✓	✓	✓	✓		
									A = Outside B = Inside		MF = Mill Finish SA = Silver Anodised KL = Basic Colour HP = Special Colour M = Dual Colour			

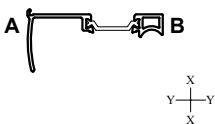
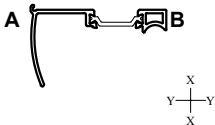
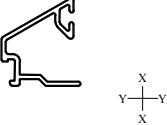
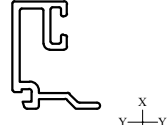
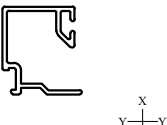
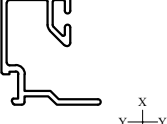
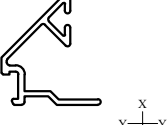
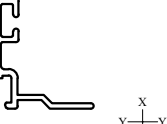
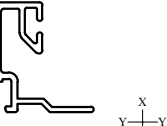
PROFILES : TECHNICAL INFORMATION

Number	Picture	Page	Perim. mm	Mec. mm	Ix(cm4) wx(cm3)	Iy(cm4) wy(cm3)	Length	Pack pr.	MF	SA	KL	HP	M	
W20170		A37	83	24	- ----- -	- ----- -	4	1	✓	✓	✓	✓		
W20171		A37	105	34	- ----- -	- ----- -	4	1	✓	✓	✓	✓		
W20172		A37	128	48	- ----- -	- ----- -	6.5	1	✓	✓	✓	✓		
W20173		A37	105	50	- ----- -	- ----- -	6.5	1	✓	✓	✓	✓		
W20174		A38	112	32	- ----- -	- ----- -	6.5	1	✓	✓	✓	✓		
W20175		A35	69	23	- ----- -	- ----- -	4	1	✓	✓				
W20176		A38	76	19	- ----- -	- ----- -	6.5	1	✓	✓	✓	✓		
W20178		A38	104	28	- ----- -	- ----- -	6.5	1	✓	✓	✓	✓		
W20485		A40	259	222	21.12 ----- 4.67	0.76 ----- 0.87	6.5	1	✓	✓	✓	✓	✓	
									A = Outside B = Inside		MF = Mill Finish SA = Silver Anodised KL = Basic Colour HP = Special Colour M = Dual Colour			

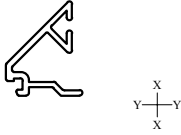
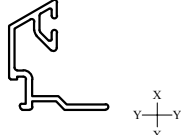
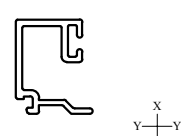
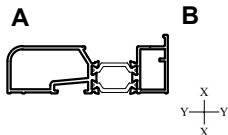
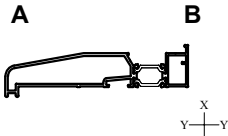
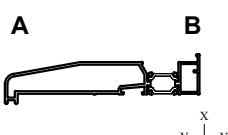
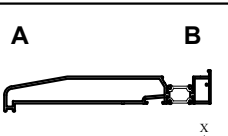
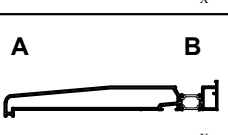
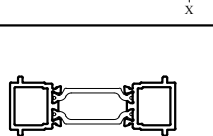
PROFILES : TECHNICAL INFORMATION

Number	Picture	Page	Perim. mm	Mec. mm	lx(cm4) wx(cm3)	ly(cm4) wy(cm3)	Length	Pack pr.	MF	SA	KL	HP	M	
W20486		A40	374	198	94.15 ----- 12.25	6.57 ----- 4.45	6.5	1	✓	✓	✓	✓	✓	
W20487		A40	312	135	50.37 ----- 8.96	6.47 ----- 4.31	6.5	1	✓	✓	✓	✓	✓	
W20488		A40	272	111	22.30 ----- 4.84	1.01 ----- 0.94	6.5	1	✓	✓	✓	✓	✓	
W20489		A40	209	47	8.06 ----- 2.81	0.92 ----- 0.81	6.5	1	✓	✓	✓	✓	✓	
DV515		A35	356	85	27.16 ----- 7.76	14.38 ----- 6.75	6.5	1	✓	✓	✓	✓	✓	
ETC047		A34	276	115	11.68 ----- 4.67	11.68 ----- 4.77	6.5	1	✓	✓	✓	✓	✓	
ETC048		A34	347	140	42.64 ----- 11.72	42.64 ----- 11.81	6.5	1	✓	✓	✓	✓	✓	
ETC080		A44	334	61	25.58 ----- 5.47	4.88 ----- 2.57	6.5	1	✓	✓	✓	✓	✓	
ETC081		A44	197	35	13.85 ----- 3.8	0.36 ----- 0.52	6.5	1	✓	✓	✓	✓	✓	
									A = Outside B = Inside		MF = Mill Finish SA = Silver Anodised KL = Basic Colour HP = Special Colour M = Dual Colour			

PROFILES : TECHNICAL INFORMATION

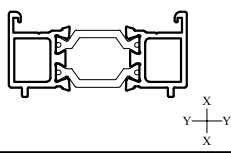
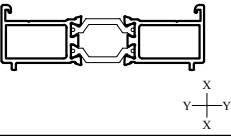
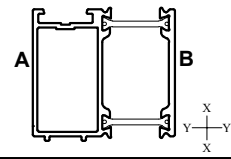
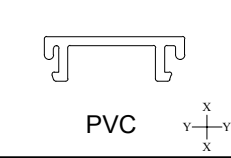
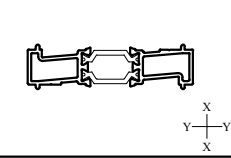
Number	Picture	Page	Perim. mm	Mec. mm	Ix(cm4) wx(cm3)	Iy(cm4) wy(cm3)	Length	Pack pr.	MF	SA	KL	HP	M	
ETC082		A44	221	47	16.21 ----- 4.19	1.15 ----- 1.29	6.5	1	✓	✓	✓	✓	✓	
ETC083		A44	243	58	17.66 ----- 4.32	2.64 ----- 2.36	6.5	1	✓	✓	✓	✓	✓	
ETC364		A39	122	28	- ----- -	- ----- -	6.5	1	✓	✓	✓	✓		
ETC366		A38	106	24	- ----- -	- ----- -	6.5	1	✓	✓	✓	✓		
ETC370		A39	141	32	- ----- -	- ----- -	6.5	1	✓	✓	✓	✓		
ETC371		A39	133	28	- ----- -	- ----- -	6.5	1	✓	✓	✓	✓		
ETC375		A39	112	22	- ----- -	- ----- -	6.5	1	✓	✓	✓	✓		
ETC376		A39	100	20	- ----- -	- ----- -	6.5	1	✓	✓	✓	✓		
ETC377		A39	124	24	- ----- -	- ----- -	6.5	1	✓	✓	✓	✓		
									A = Outside B = Inside		MF = Mill Finish SA = Silver Anodised KL = Basic Colour HP = Special Colour M = Dual Colour			

PROFILES : TECHNICAL INFORMATION

Number	Picture	Page	Perim. mm	Mec. mm	lx(cm4) wx(cm3)	ly(cm4) wy(cm3)	Length	Pack pr.	MF	SA	KL	HP	M
ETC378		A38	96	21	- ----- -	- ----- -	6.5	1	✓	✓	✓	✓	
ETC379		A39	112	21	- ----- -	- ----- -	6.5	1	✓	✓	✓	✓	
ETC381		A38	113	28	- ----- -	- ----- -	6.5	1	✓	✓	✓	✓	
ETC451		A42	271	180	32.44 ----- 7.29	3.46 ----- 2.79	6.5	1	✓	✓	✓	✓	✓
ETC452		A42	414	382	122.46 ----- 18.03	6.01 ----- 3.34	6.5	1	✓	✓	✓	✓	✓
ETC457		A42	444	412	163.27 ----- 21.60	6.79 ----- 3.73	6.5	1	✓	✓	✓	✓	✓
ETC458		A43	524	492	313.62 ----- 32.63	8.87 ----- 4.79	6.5	1	✓	✓	✓	✓	✓
ETC479		A43	594	559	501.64 ----- 44.04	9.72 ----- 5.34	6.5	1	✓	✓	✓	✓	✓
ETC853		A41	219	53.7	23.28 ----- 6.65	1.94 ----- 1.43	6.5	1	✓	✓	✓	✓	✓

A = Outside
B = Inside
MF = Mill Finish
SA = Silver Anodised
KL = Basic Colour
HP = Special Colour
M = Dual Colour

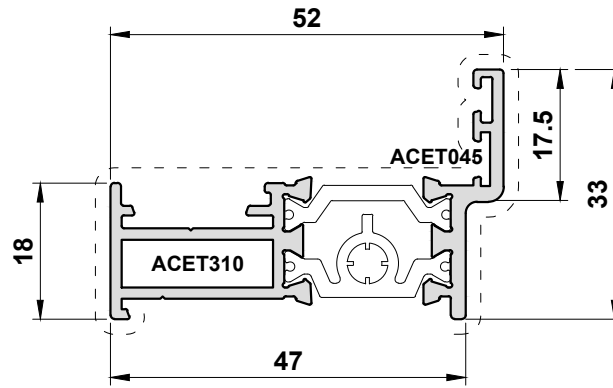
PROFILES : TECHNICAL INFORMATION

Number	Picture	Page	Perim. mm	Mec. mm	Ix(cm4) wx(cm3)	Iy(cm4) wy(cm3)	Length	Pack pr.	MF	SA	KL	HP	M	
ETD056		A36	204.8	172	6.31 ----- 2.69	0.82 ----- 0.77	6.5	1	✓	✓	✓	✓	✓	
ETD057		A36	250.8	217	16.30 ----- 4.66	1.12 ----- 1.07	6.5	1	✓	✓	✓	✓	✓	
ETD058		A36	294	85	9.92 ----- 4.22	7.25 ----- 3.4	6.5	1	✓	✓	✓	✓	✓	
PCX41		A35	65	-	- ----- -	- ----- -	6.5	1	✓					
UN3000		A41	200	43.24	15.8 ----- 4.51	0.79 ----- 0.84	6.5	1	✓	✓	✓	✓	✓	
									A = Outside B = Inside		MF = Mill Finish SA = Silver Anodised KL = Basic Colour HP = Special Colour M = Dual Colour			

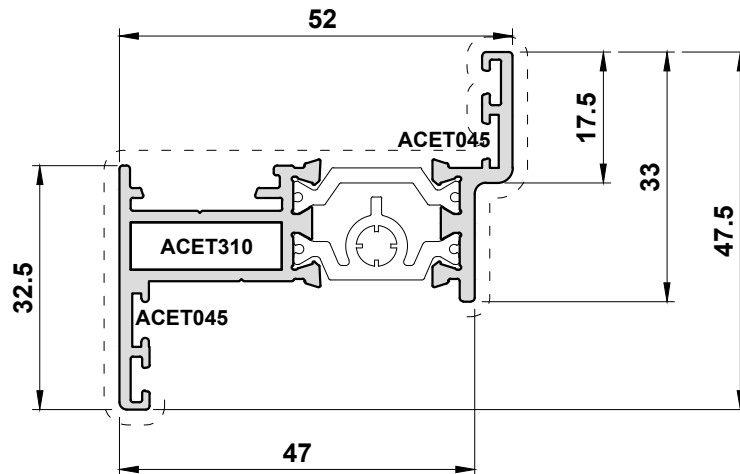
Primary Visible Side

Secondary Visible Side

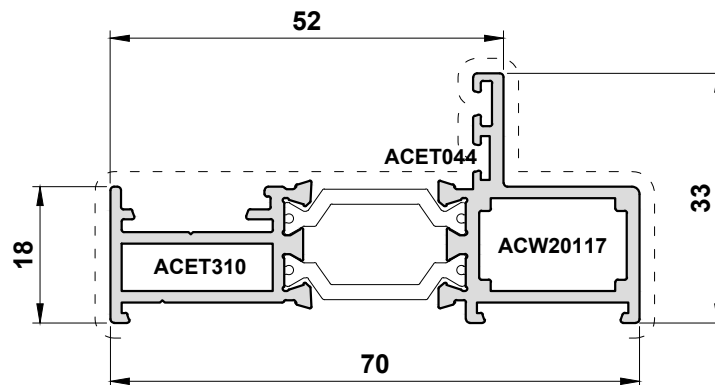
W20015
Outer Frame



W20016
Odd Leg Outer Frame



W20017
70mm Outer Frame

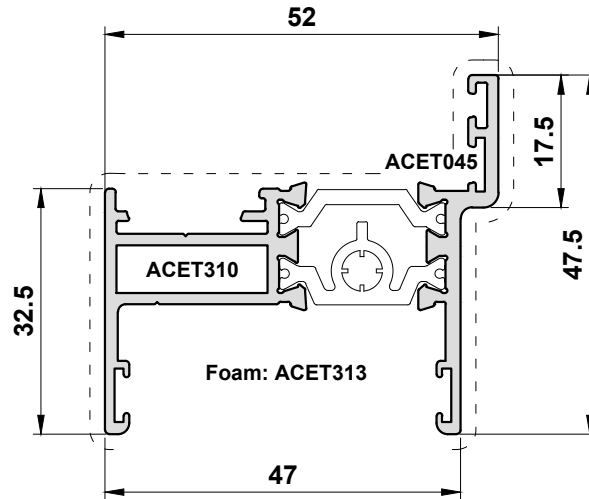


Scale 1:1

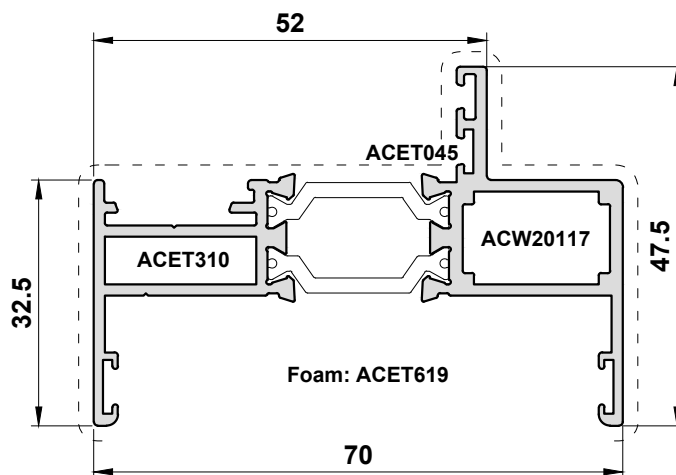
Primary Visible Side

Secondary Visible Side

W20111 47mm Long Leg Outer Frame



W20112 70mm Long Leg Outer Frame



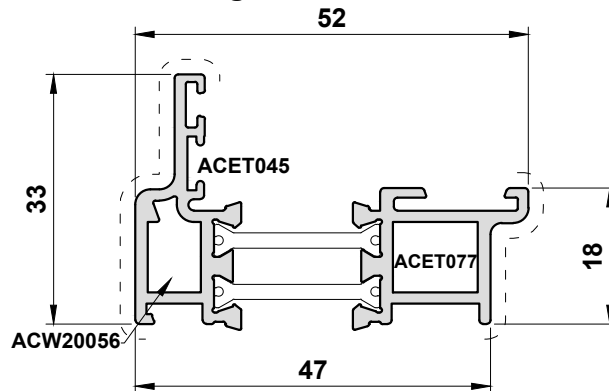
Scale 1:1

Primary Visible Side

Secondary Visible Side

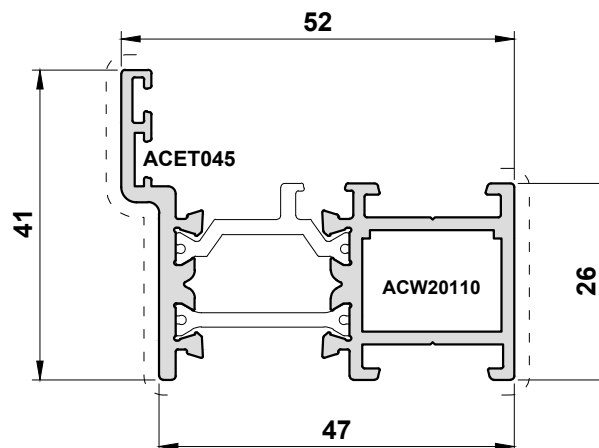
W20018

Internally Beaded Fixed
Light Outer Frame



W20110

Tilt & Turn Outer Frame

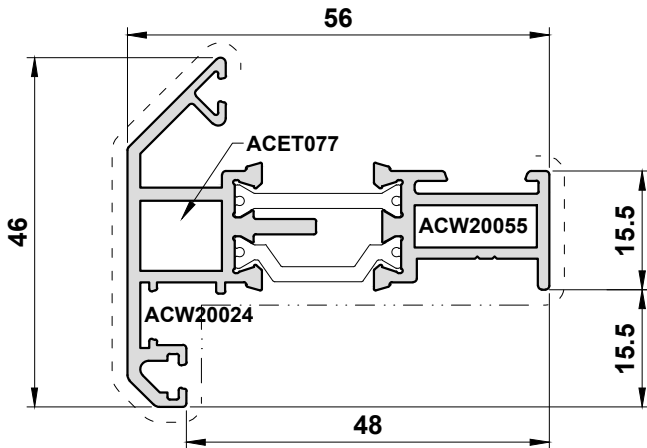


Scale 1:1

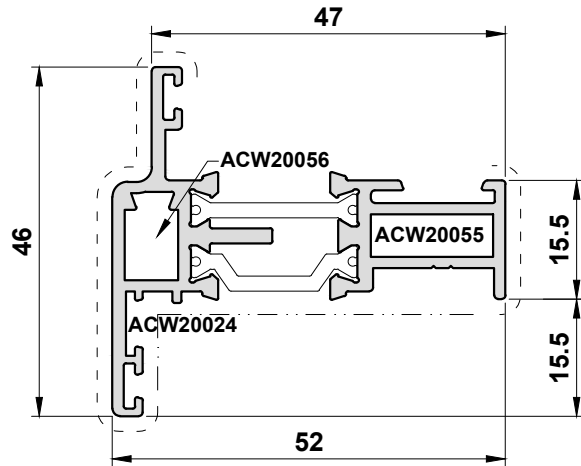
Primary Visible Side

Secondary Visible Side

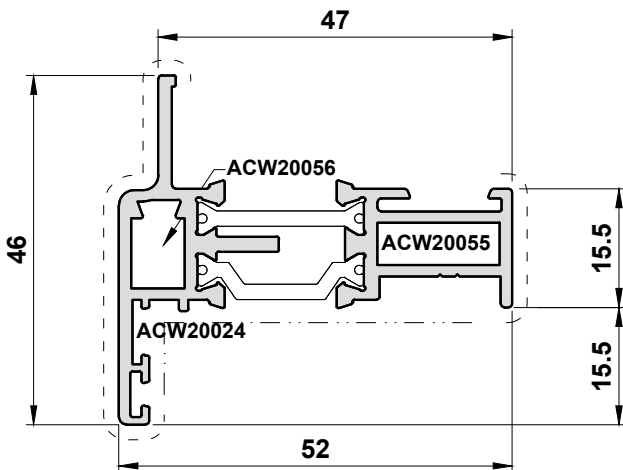
W20024
Chamfered Vent



W20025
Vent



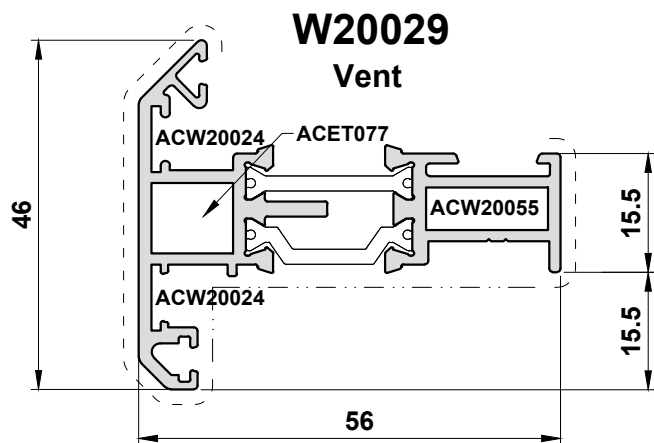
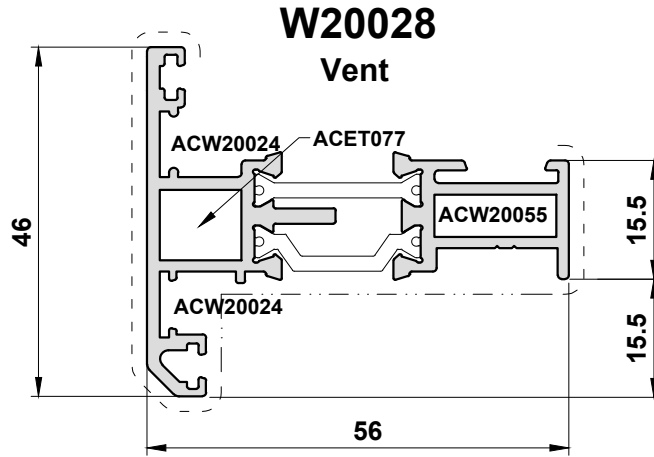
W20026
Vent - Tape Glazing



Scale 1:1

Primary Visible Side

Secondary Visible Side

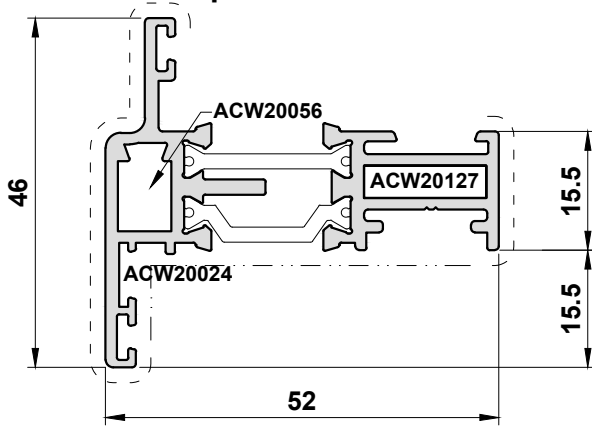


Scale 1:1

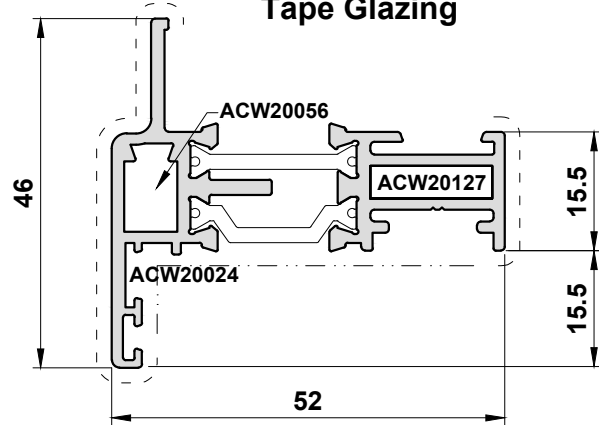
Primary Visible Side

Secondary Visible Side

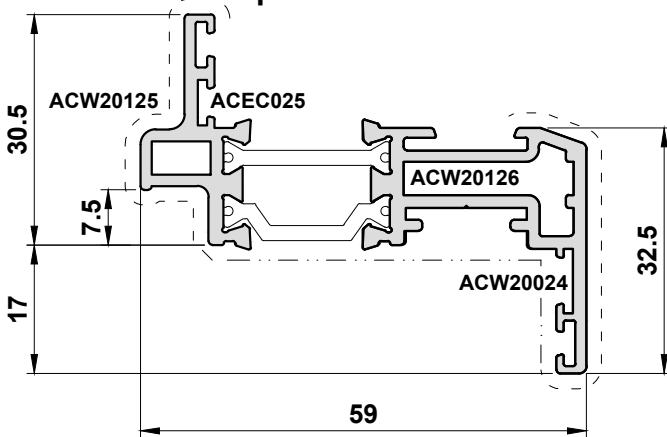
W20027
Open Out Door Sash



W20127
Open Out Door Sash -
Tape Glazing



W20125N
Open In Door Sash



W20126
Door Sash with
Eurogroove



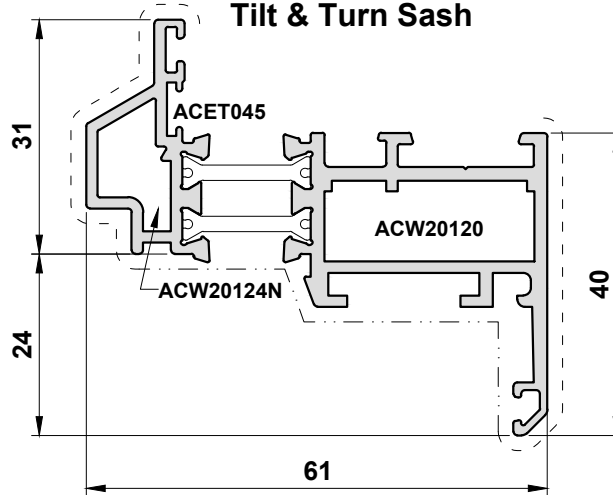
Scale 1:1

Primary Visible Side

Secondary Visible Side

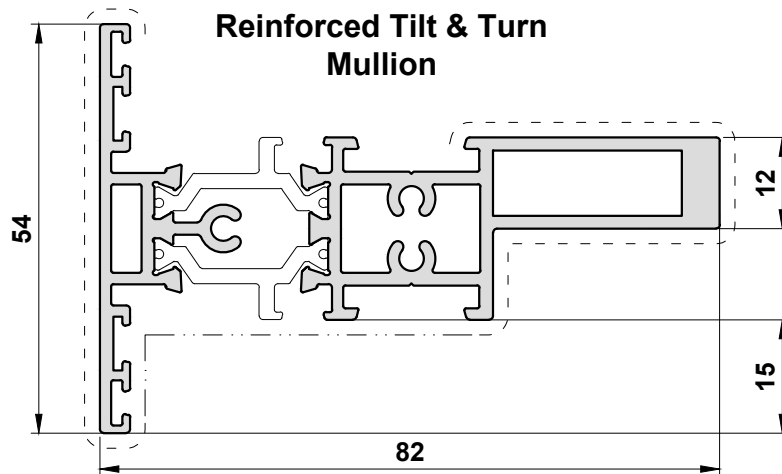
W20120

Tilt & Turn Sash



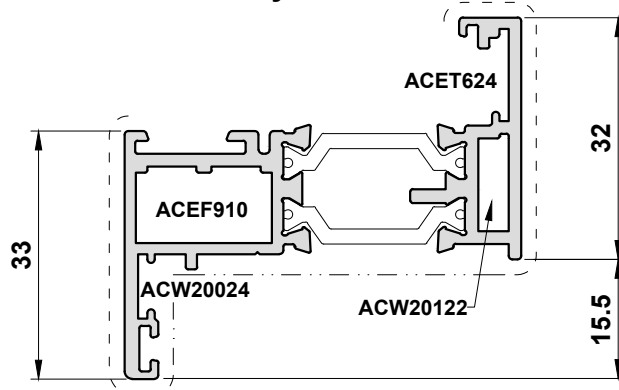
W20131

Reinforced Tilt & Turn Mullion



W20122

Externally Beaded Sash

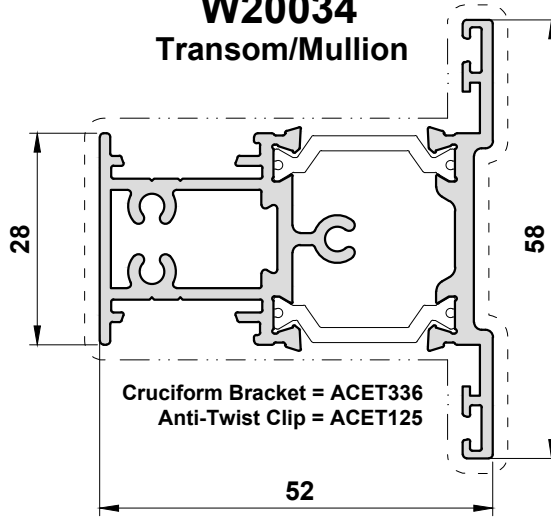


Scale 1:1

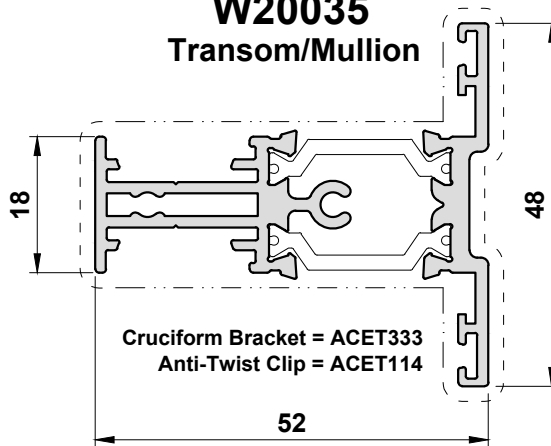
Primary Visible Side

Secondary Visible Side

W20034
Transom/Mullion

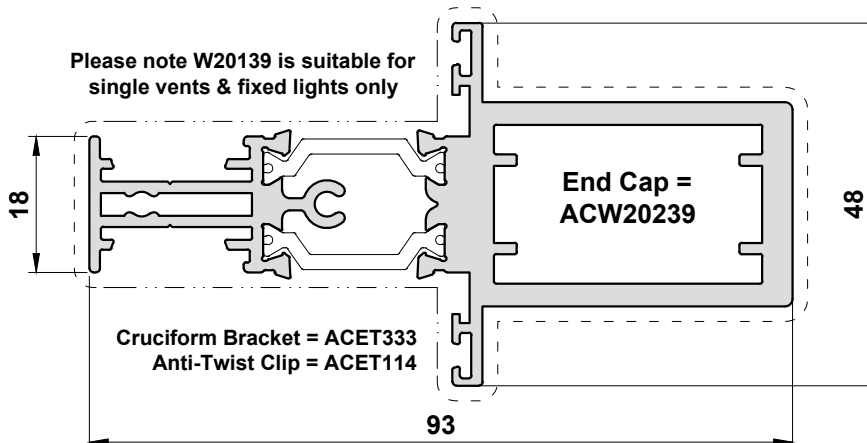


W20035
Transom/Mullion



Please note W20035 is suitable for single vents & fixed lights only

W20139
Reinforced Transom/Mullion

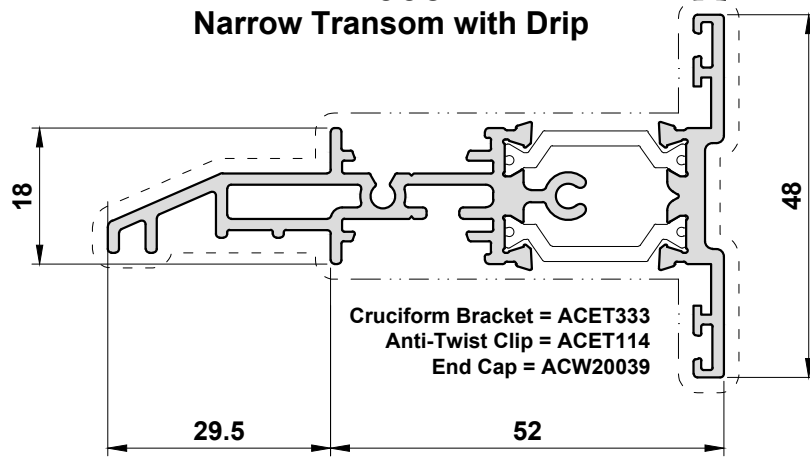


Scale 1:1

Primary Visible Side

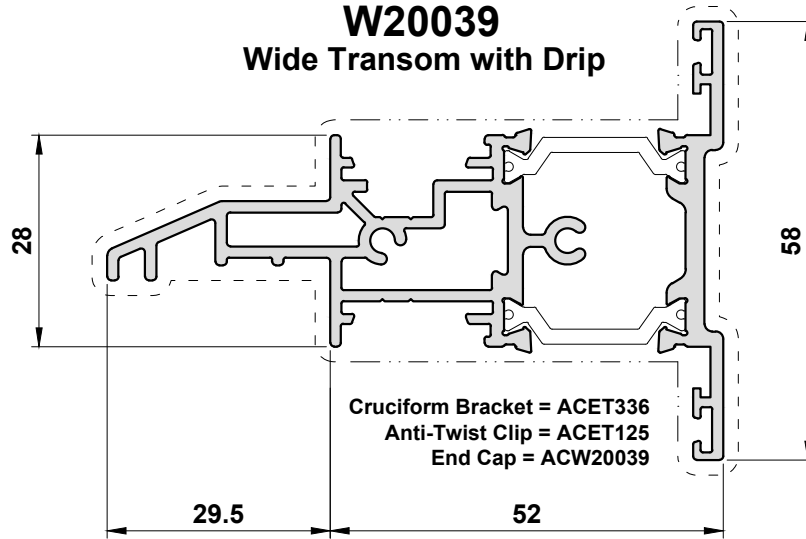
Secondary Visible Side

W20032
Narrow Transom with Drip

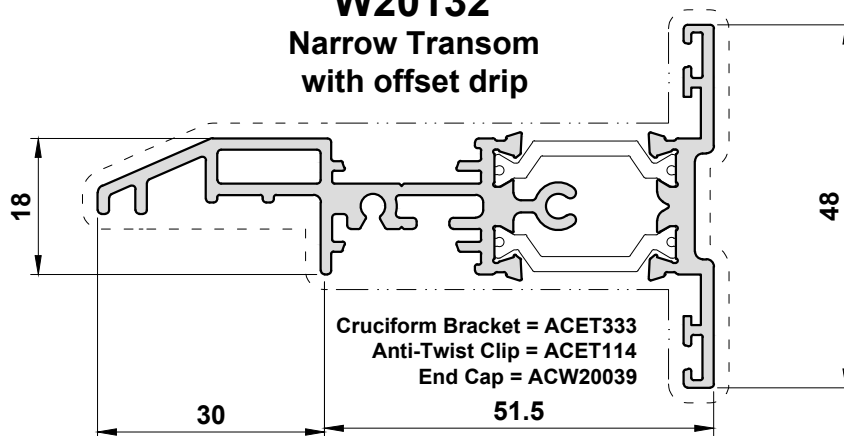


Please note W20032 is suitable for fixed lights only

W20039
Wide Transom with Drip



W20132
Narrow Transom with offset drip



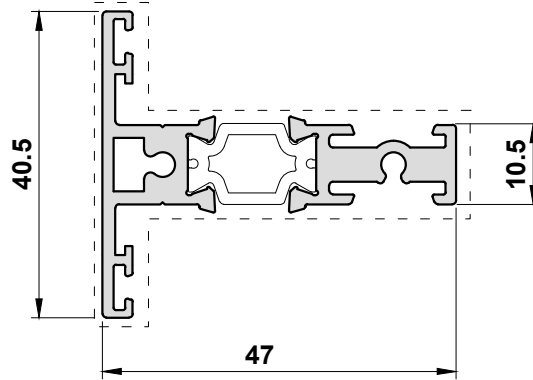
Scale 1:1

Primary Visible Side

Secondary Visible Side

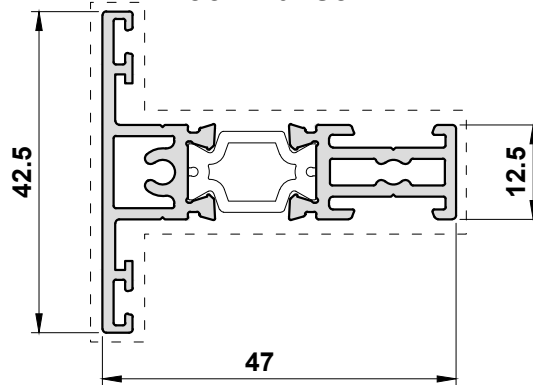
W20037

Door/Dummy Transom



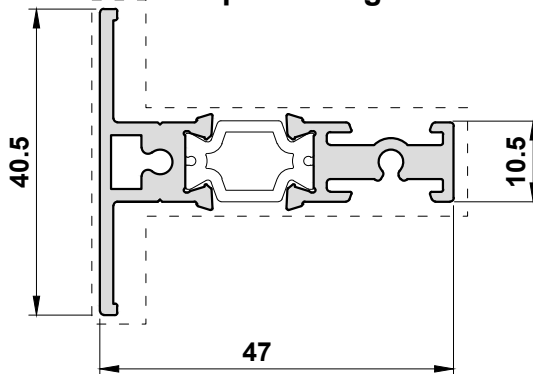
W20135

Door Transom



W20137

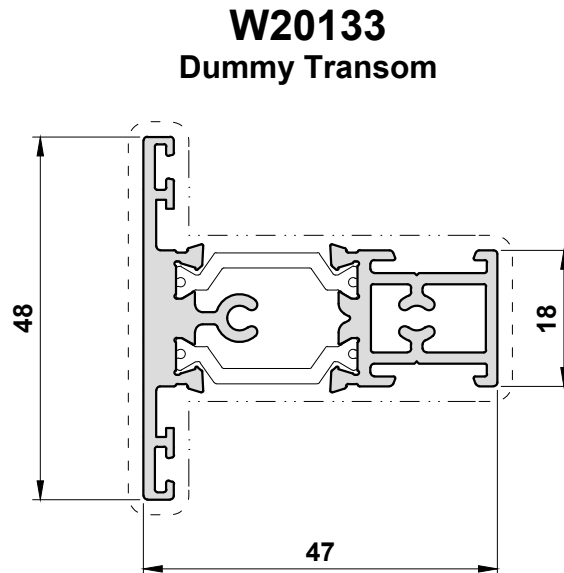
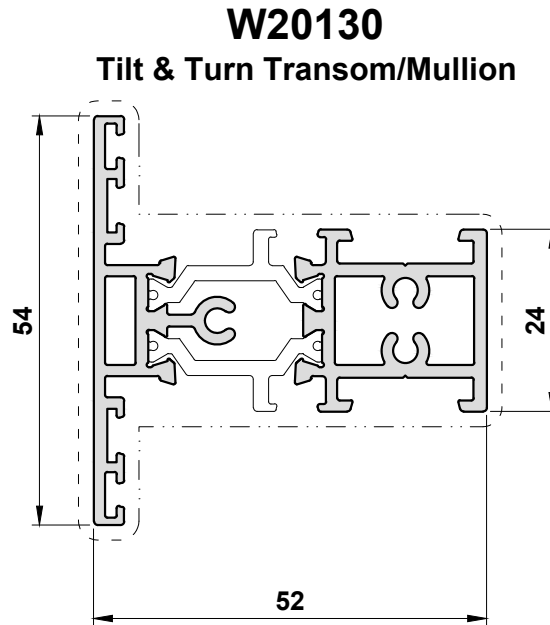
**Door/Dummy Transom -
Tape Glazing**



Scale 1:1

Primary Visible Side

Secondary Visible Side

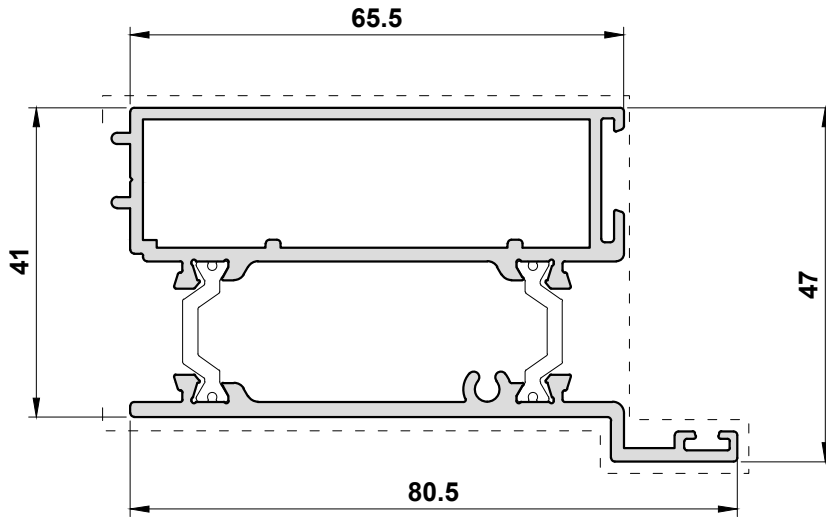


Scale 1:1

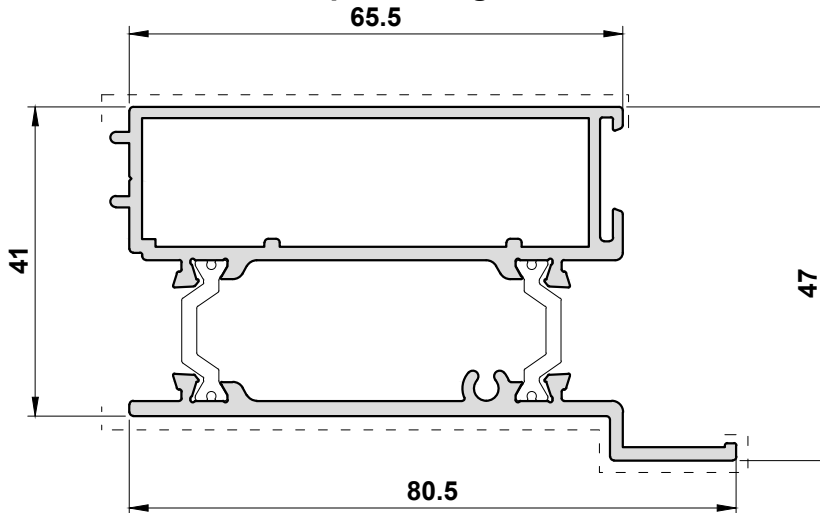
Primary Visible Side

Secondary Visible Side

W20038 Door Lock Housing



W20138 Door Lock Housing - Tape Glazing

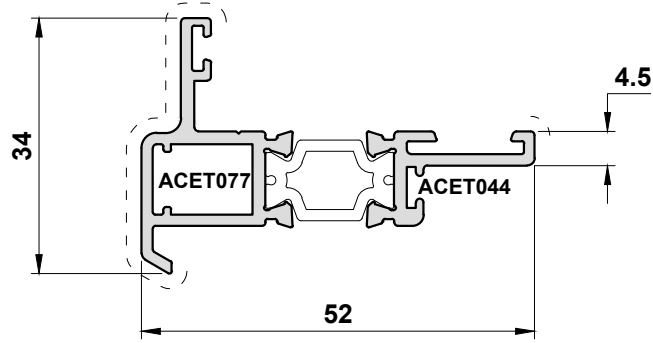


Scale 1:1

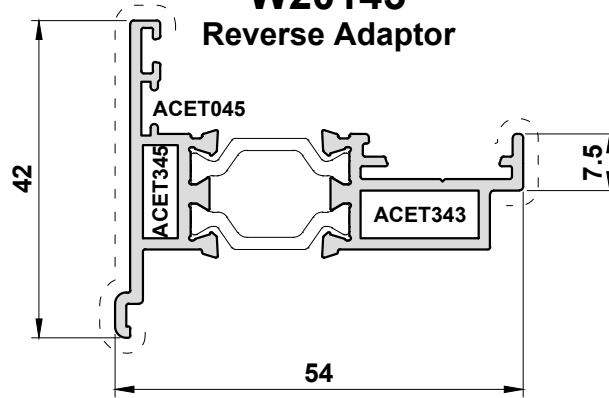
Primary Visible Side

Secondary Visible Side

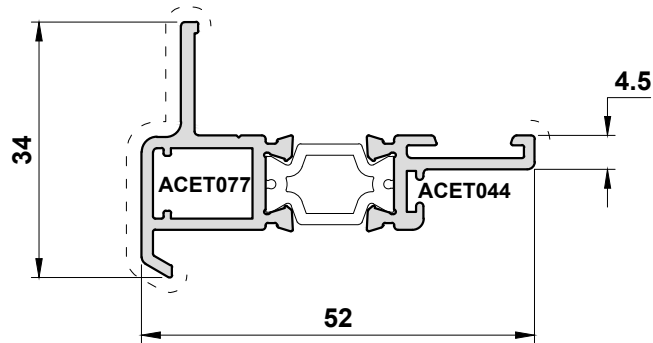
W20047
Reverse Adaptor



W20145
Reverse Adaptor



W20147
Reverse Adaptor - Tape Glazing

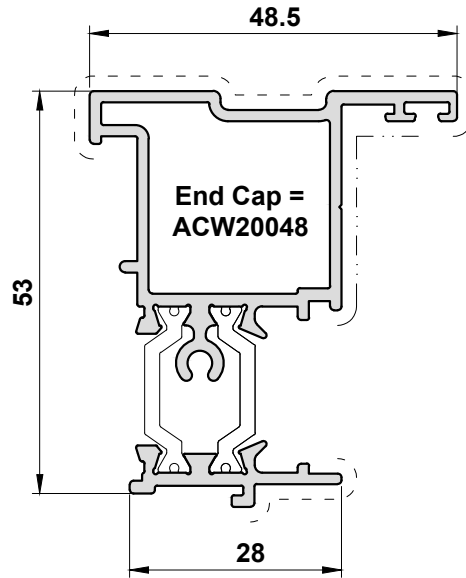


Scale 1:1

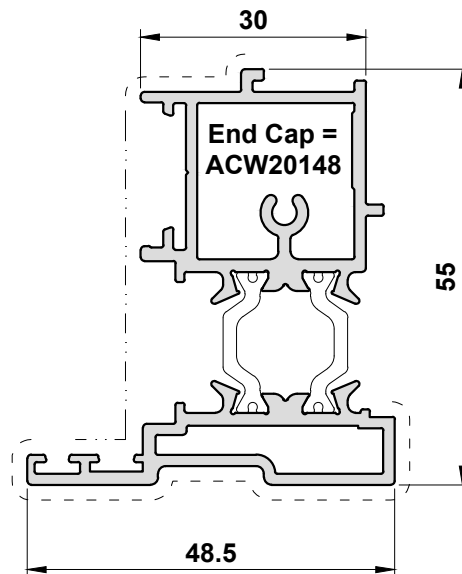
Primary Visible Side

Secondary Visible Side

W20048 Open Out Meeting Stile



W20148 Open In Meeting Stile

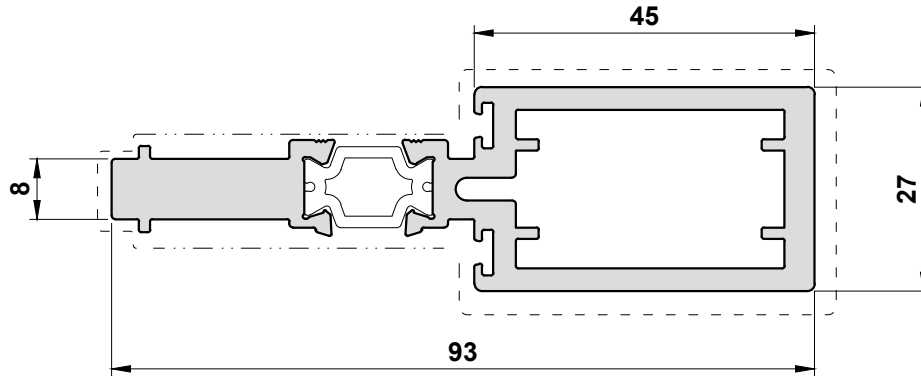


Scale 1:1

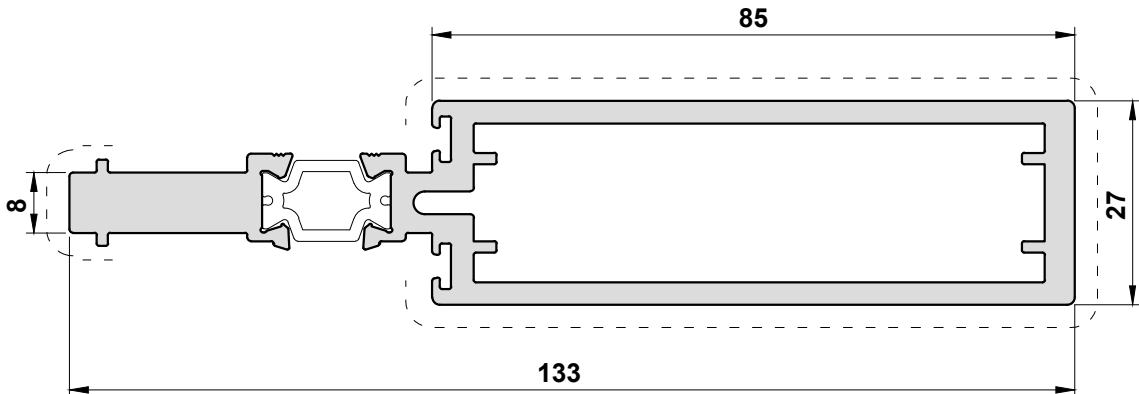
Primary Visible Side

Secondary Visible Side

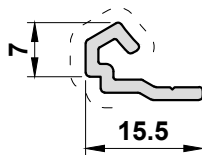
W20051
Coupler / Mullion



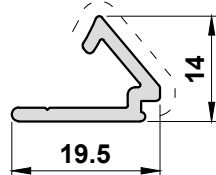
W20054
Coupler / Mullion



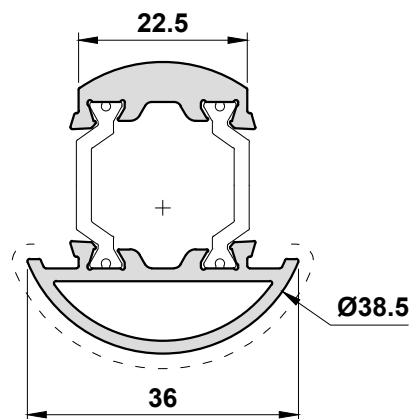
W20065
Bay Pole Adaptor



W20066
Bay Pole Adaptor



W20069
W20015 Bay Pole

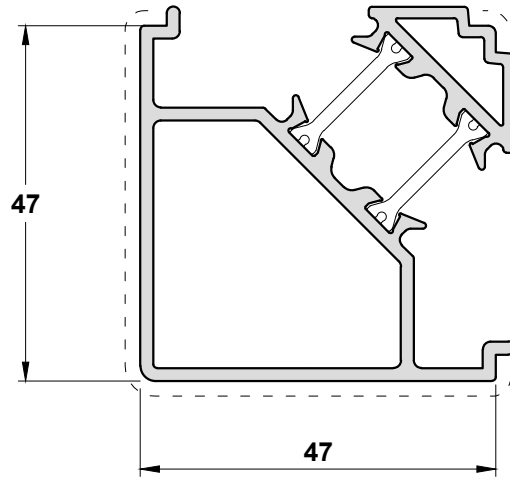


Scale 1:1

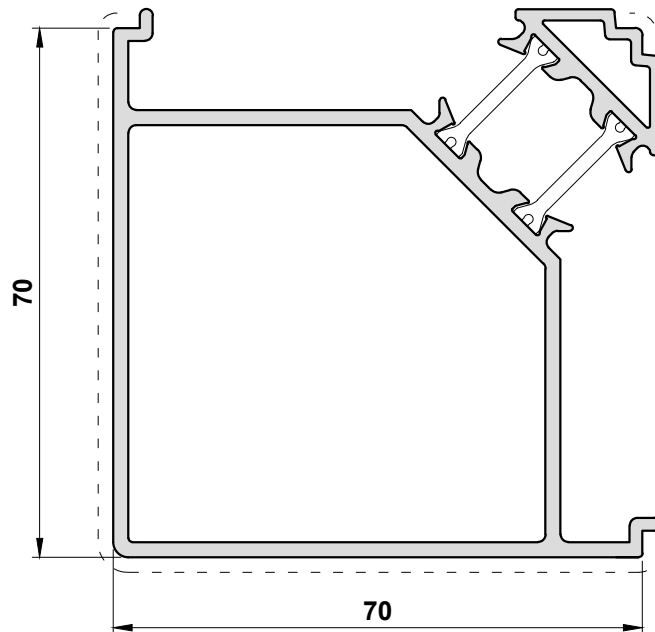
Primary Visible Side

Secondary Visible Side

ETC047
47mm 90° Corner Post
W20015, W20110 & W20111 only



ETC048
70mm 90° Corner Post

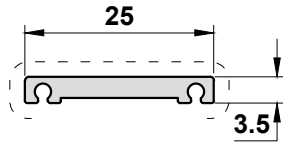


Scale 1:1

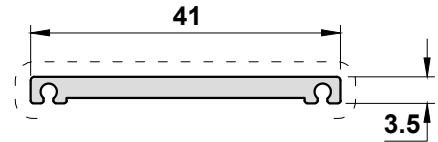
Primary Visible Side

Secondary Visible Side

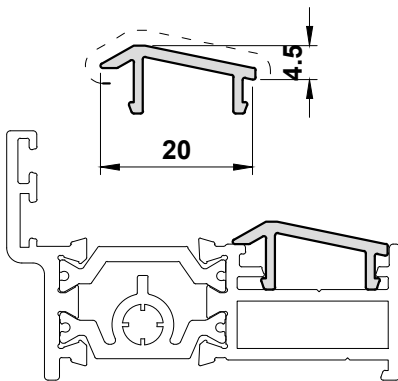
W20165
25mm Astragal Bar



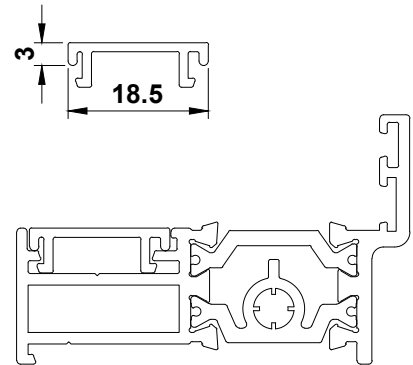
W20166
41mm Astragal Bar



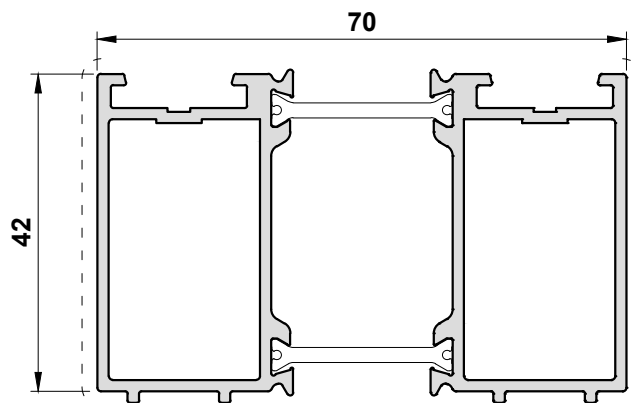
W20175
Threshold Infill



PCX41
Outer Frame Infill



DV515
42mm Head Extension

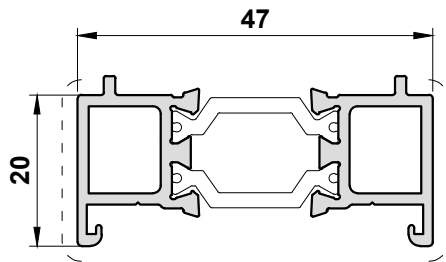


Scale 1:1

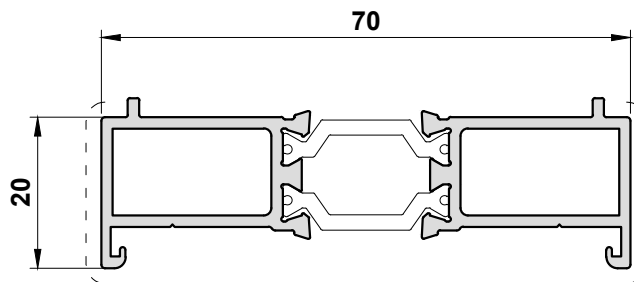
Primary Visible Side

Secondary Visible Side

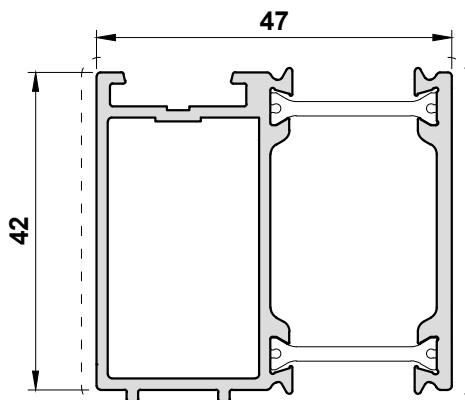
ETD056
20mm Add On For
47mm sections



ETD057
20mm Add On For W20017



ETD058
42mm Head Extension



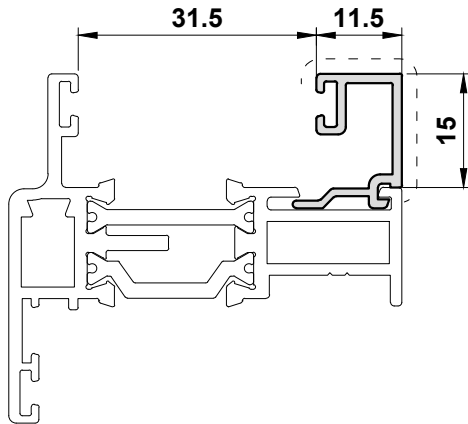
Scale 1:1

Primary Visible Side

Secondary Visible Side

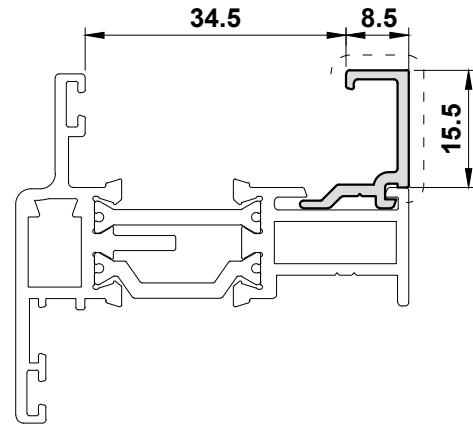
W20168

Internal Square Bead



W20170

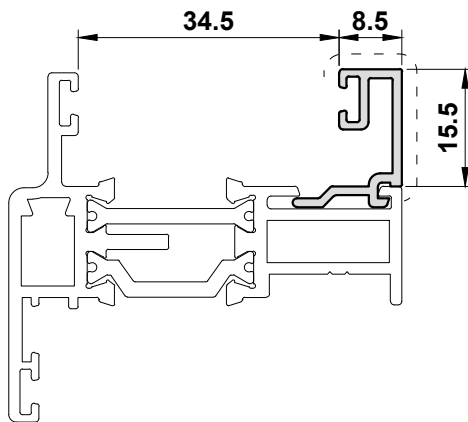
**Internal Square Bead
(Direct Fix Handle to Bead)**



W20171

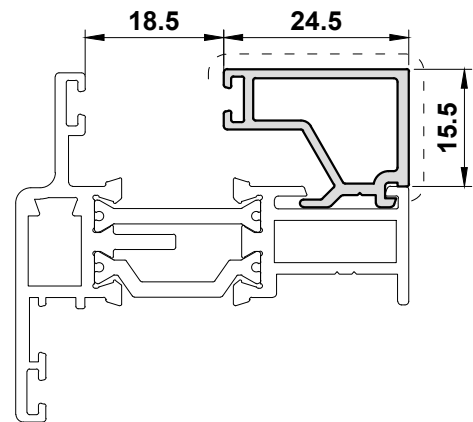
Internal Square Bead

(Handle Blocks required when using this Bead)



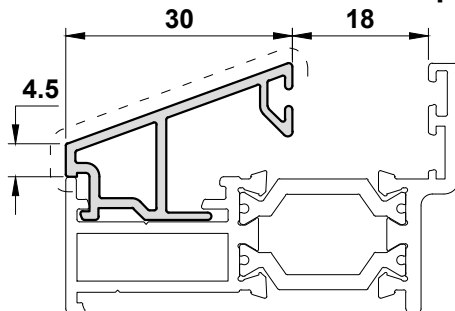
W20173

Internal Square Bead



W20172

External Sloped Bead

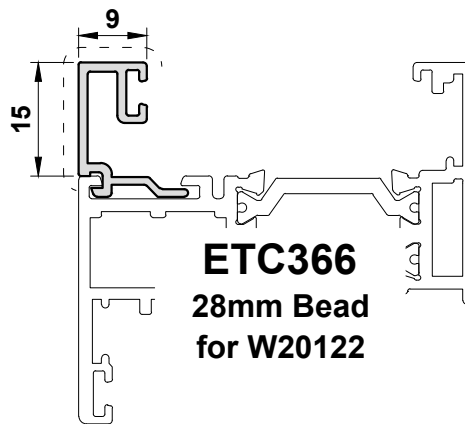
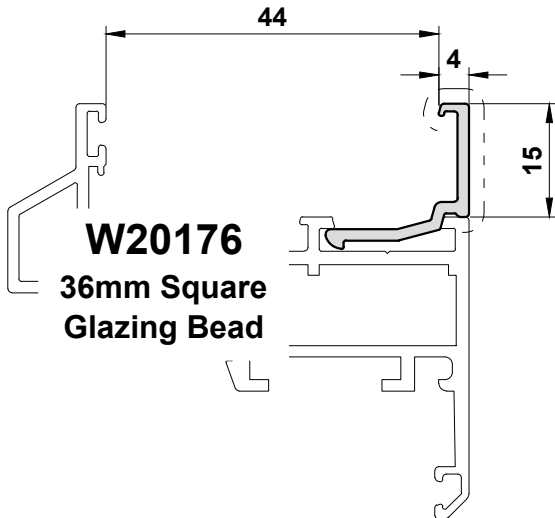
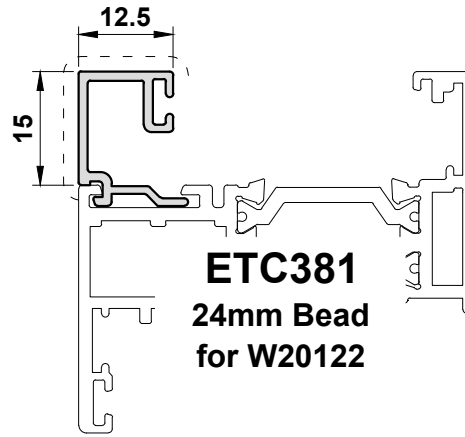
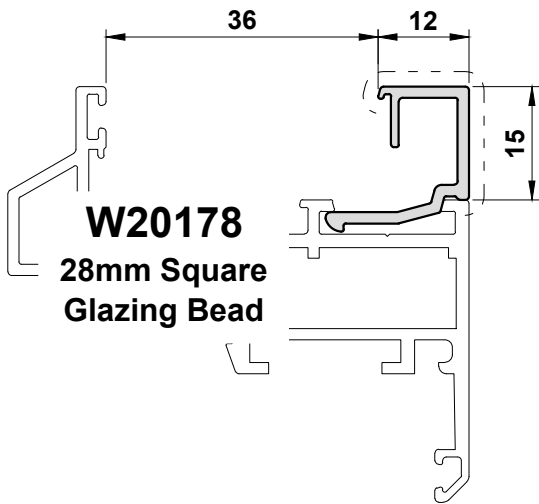
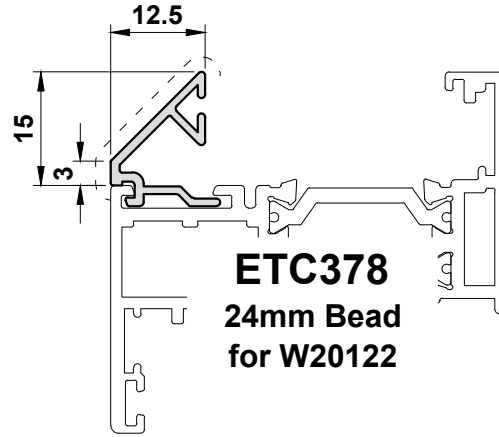
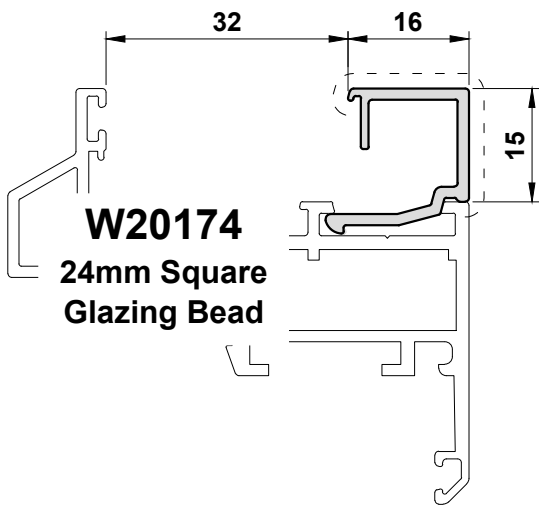


See Pages E36, E37 & E38 for full glazing details

Scale 1:1

Primary Visible Side

Secondary Visible Side



See Pages E36, E37 & E38 for full glazing details

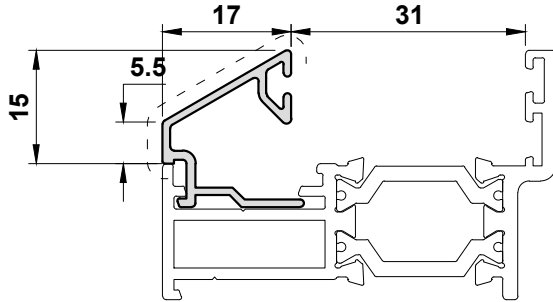
Scale 1:1

Primary Visible Side

Secondary Visible Side

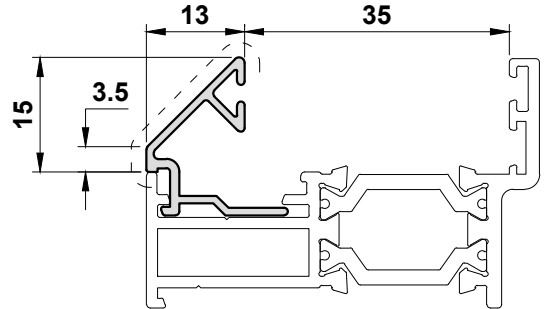
ETC364

24mm Chamfered Bead



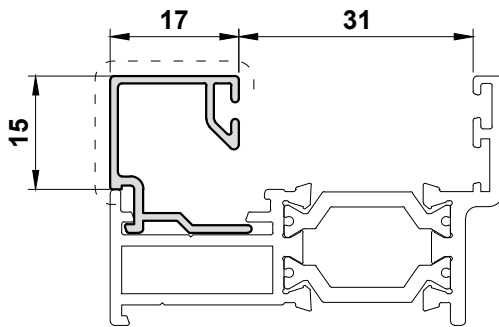
ETC375

28mm Chamfered Bead



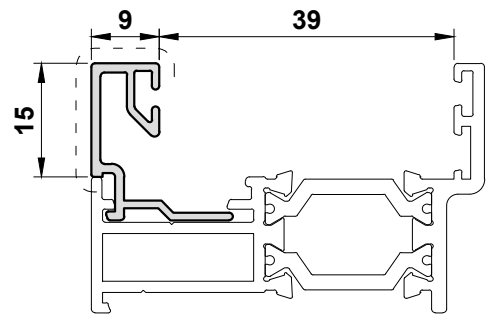
ETC370

24mm Square Bead



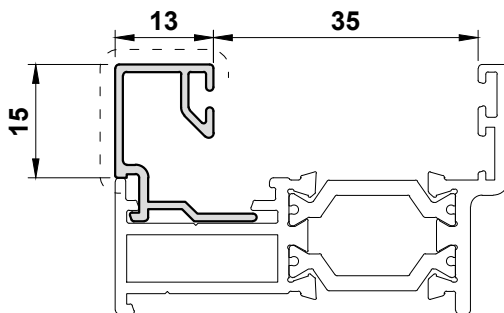
ETC377

32mm Square Bead



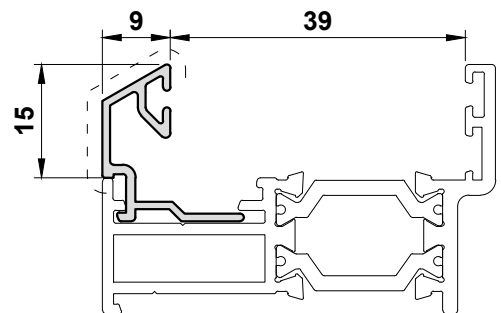
ETC371

28mm Square Bead



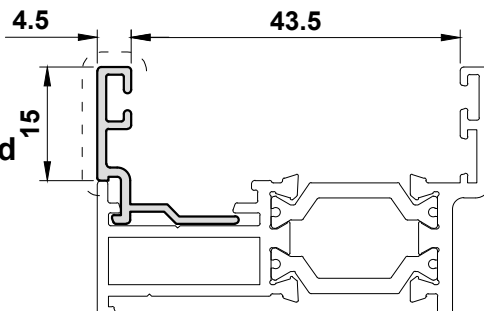
ETC379

32mm Chamfered Bead



ETC376

36mm Square Bead



**See Pages E36,
E37 & E38 for full
glazing details**

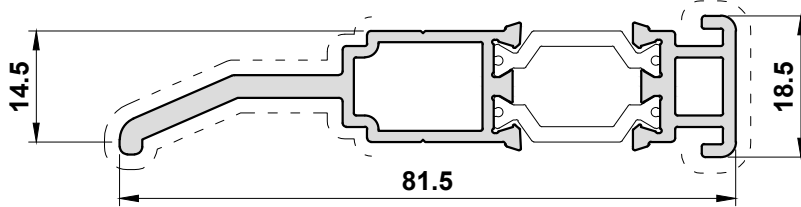
Scale 1:1

Primary Visible Side

Secondary Visible Side

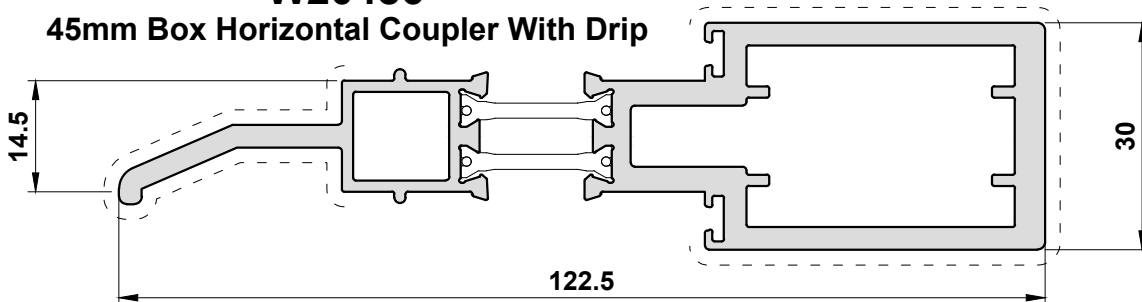
W20485

Horizontal Coupler with Drip Bar



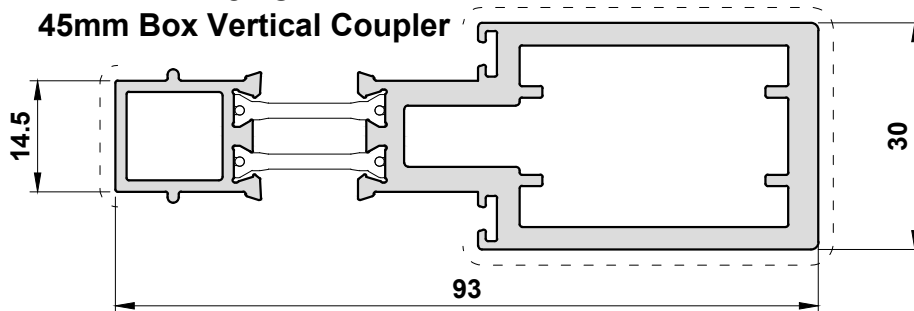
W20486

45mm Box Horizontal Coupler With Drip



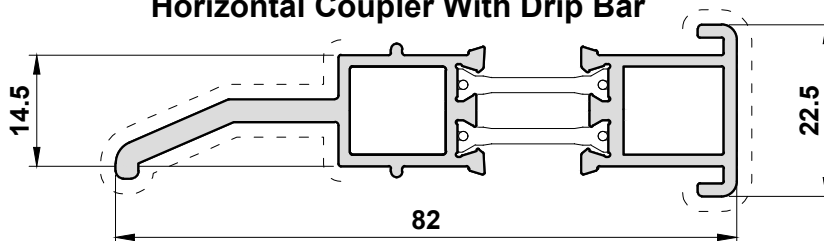
W20487

45mm Box Vertical Coupler



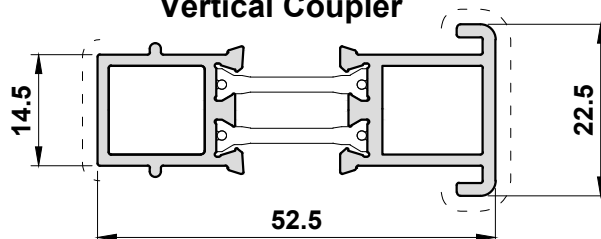
W20488

Horizontal Coupler With Drip Bar



W20489

Vertical Coupler

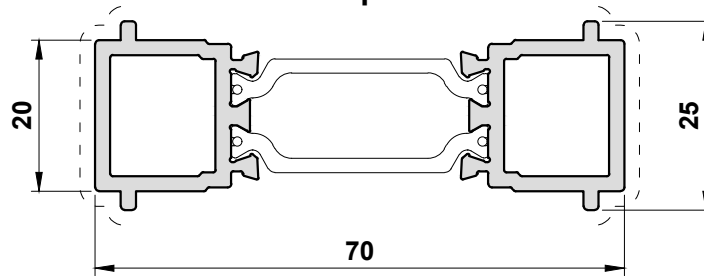


Scale 1:1

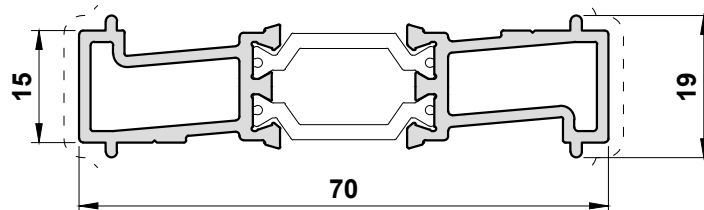
Primary Visible Side

Secondary Visible Side

ETC853 Coupler



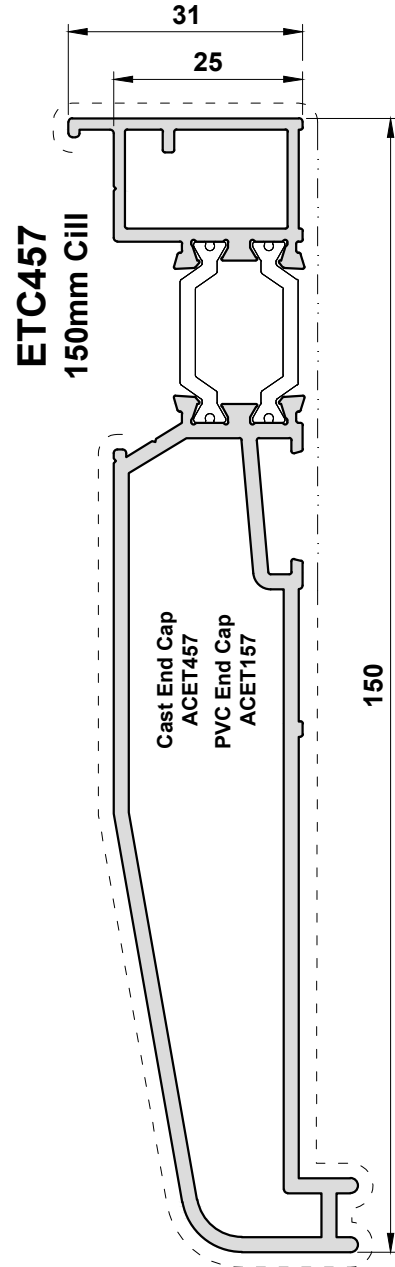
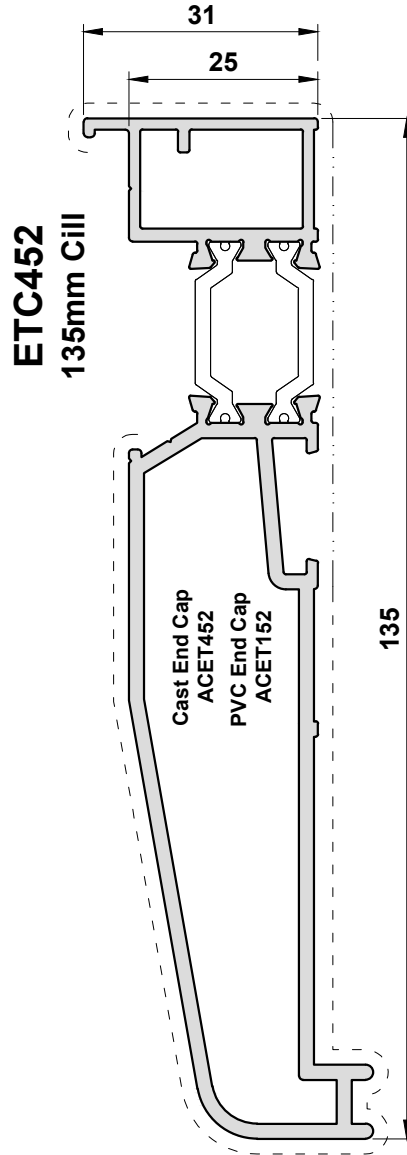
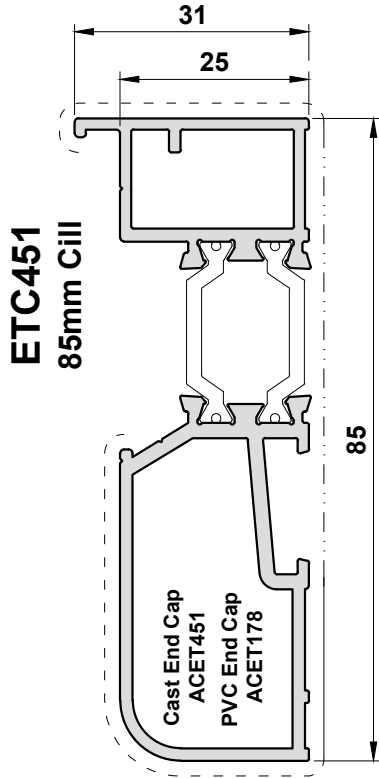
UN3000 Horizontal Coupler



Scale 1:1

Primary Visible Side

Secondary Visible Side

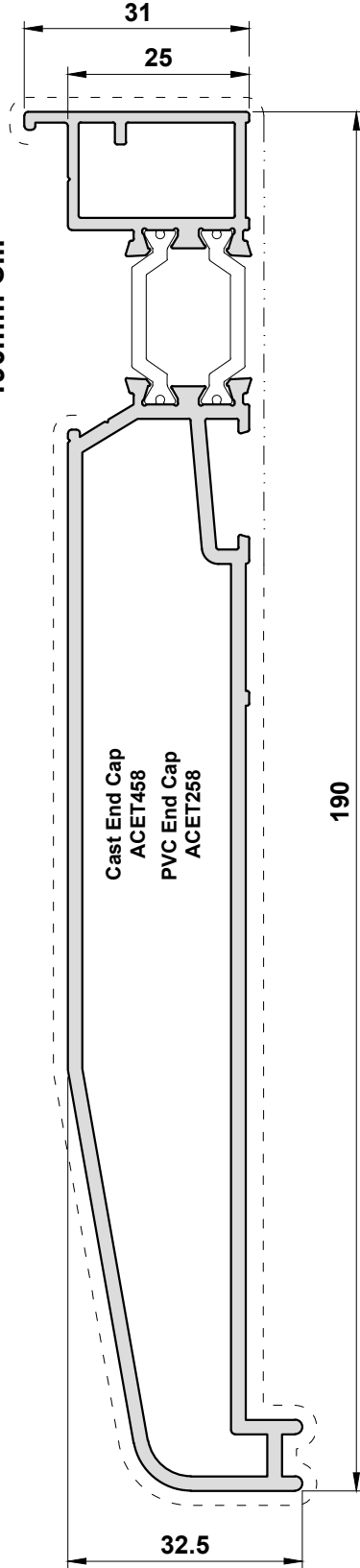


Scale 1:1

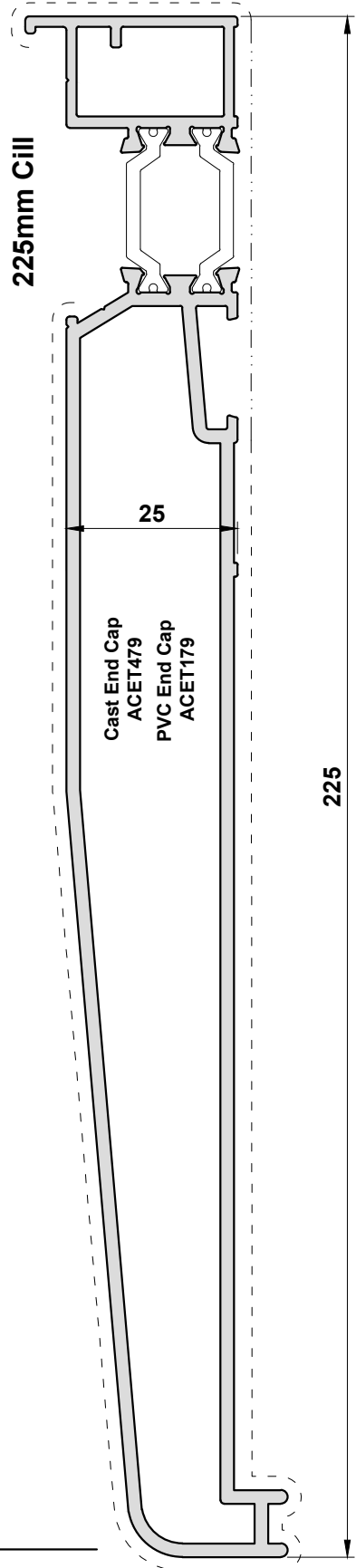
Primary Visible Side

Secondary Visible Side

ETC458
190mm Cill



ETC479
225mm Cill

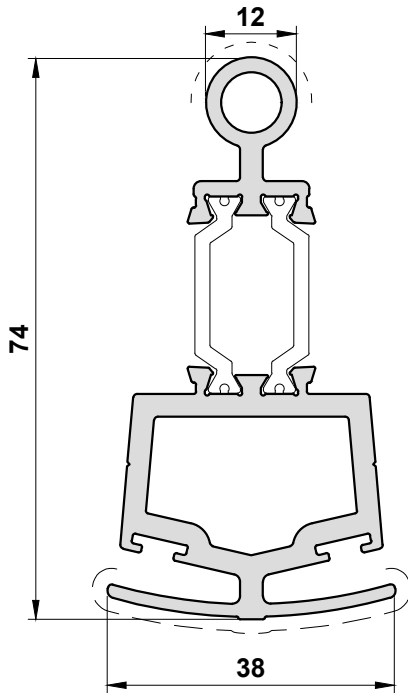


Scale 1:1

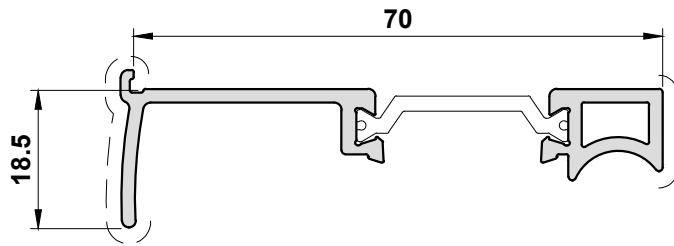
Primary Visible Side

Secondary Visible Side

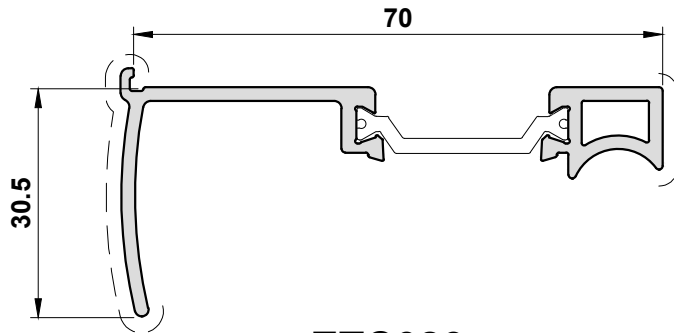
ETC080
Bay Pole



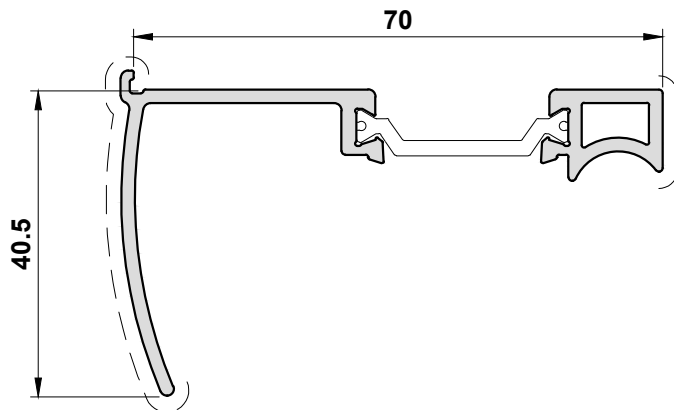
ETC081
169° - 150°
Bay Pole Adaptor



ETC082
149° - 130°
Bay Pole Adaptor



ETC083
129° - 115°
Bay Pole Adaptor

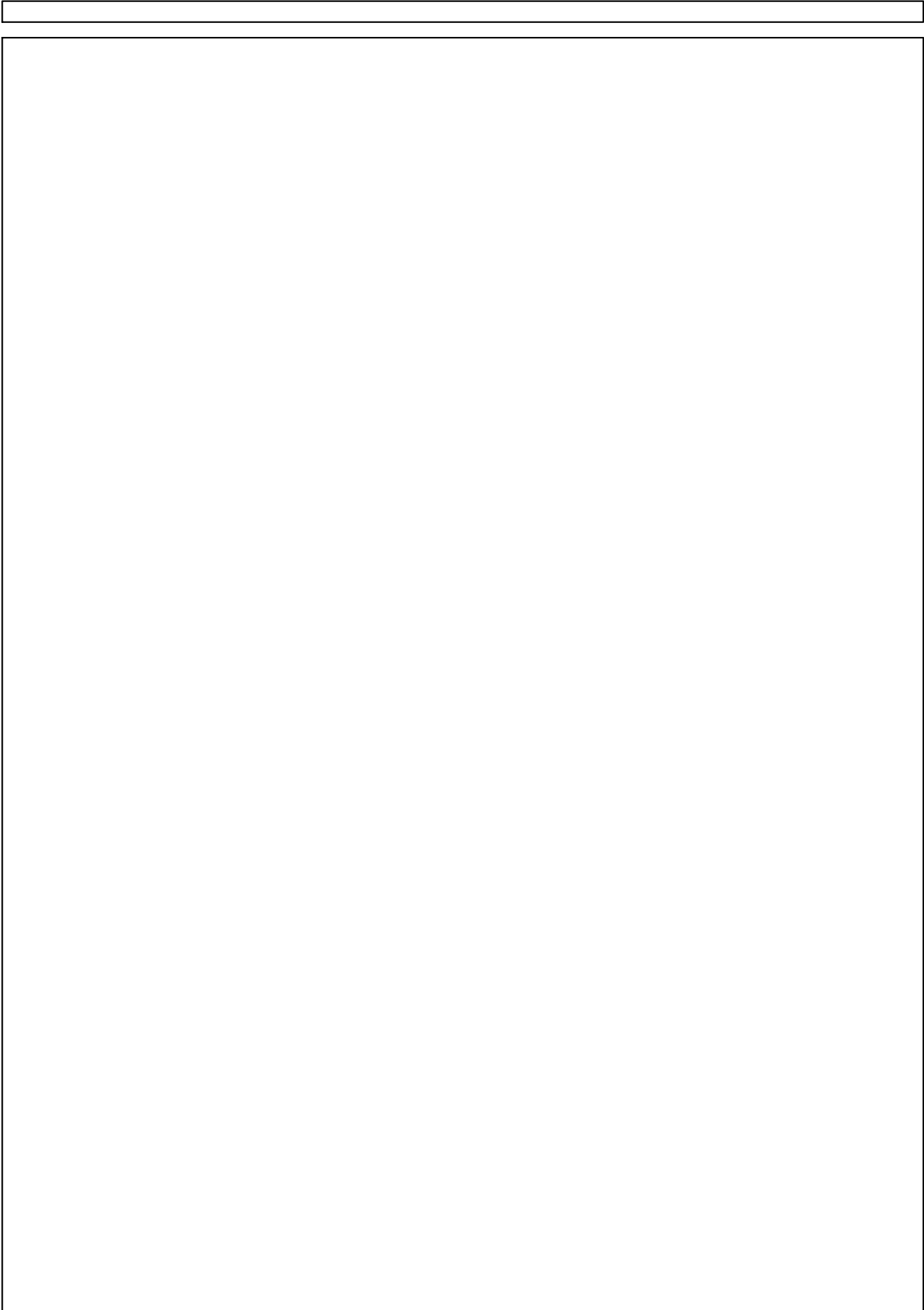


Scale 1:1


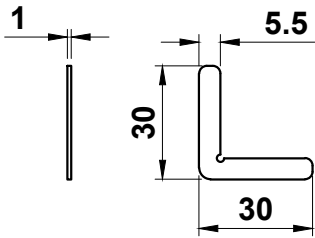
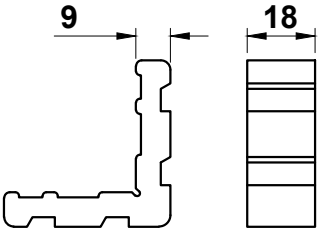
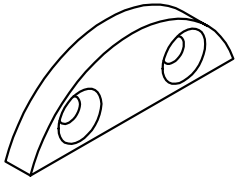
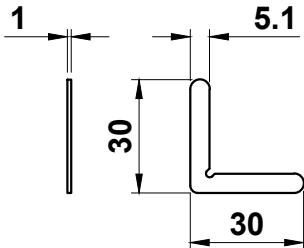


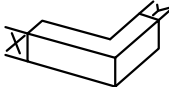
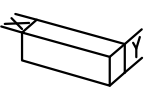
Section B

Accessories

Photos & Drawings



ACCESSORIES : PHOTOS & DRAWINGS

Image	Part Code	Pack	Unit	Application	Colour
	ACCY4530S1 45/30 High Security Cylinder 3 keys supplied Polished Brass Bright Nickle	1	Each	ACW20061	MF
					SA
					KL
					HP
					SSC
					SMC
					W
					Z
					PC
	ACEC025 Stainless Steel Chevron	100	pack	W20125N	MF
					SA
					KL
					HP
					SSC
					SMC
					W
					Z
					PC
	ACEF910 Crimping Cleat	24	pack	W20122	MF
					SA
					KL
					HP
					SSC
					SMC
					W
					Z
					PC
	ACET041 Cill Nose Bracket	1	each	ETC451 ETC452 ETC457 ETC458 ETC479	MF
					SA
					KL
					HP
					SSC
					SMC
					W
					Z
					PC
	ACET044 Stainless Steel Chevron	100	pack	W20017 W20047 W20126 W20047 W20147	MF
					SA
					KL
					HP
					SSC
					SMC
					W
					Z
					PC
 T-BARS ACVG665=2.5mm ACVG666=3.0mm ACVL150=4.0mm	 Screw (Grub)	MF = Mill Finish SA = Silver Anodised KL = Basic Colour HP = Special Colour SSC = Smooth Satin Chrome SMC = Smokey Chrome PC = Polished Chrome	W = White Z = Black	 	

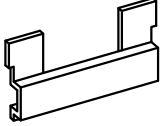

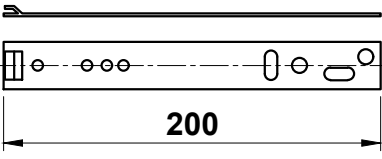
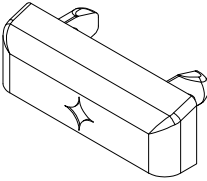
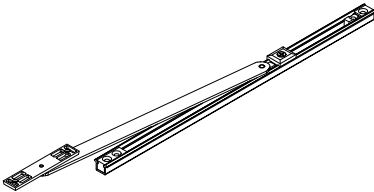

ACCESSORIES : PHOTOS & DRAWINGS

Image	Part Code	Pack	Unit	Application	Colour
	ACET045 Stainless Steel Chevron	100	pack	W20015 W20016 W20018 W20110 W20120 W20125 W20145	MF <input checked="" type="checkbox"/> SA <input type="checkbox"/> KL <input type="checkbox"/> HP <input type="checkbox"/> SSC <input type="checkbox"/> SMC <input type="checkbox"/> W <input type="checkbox"/> Z <input type="checkbox"/> PC <input type="checkbox"/>
	ACET060 No. 7 x 25 S/S Self Tapping CSK Screw	100	pack		MF <input checked="" type="checkbox"/> SA <input type="checkbox"/> KL <input type="checkbox"/> HP <input type="checkbox"/> SSC <input type="checkbox"/> SMC <input type="checkbox"/> W <input type="checkbox"/> Z <input type="checkbox"/> PC <input type="checkbox"/>
	ACET062 No. 10 x 50 S/S Self Tapping CSK Screw	100	pack		MF <input checked="" type="checkbox"/> SA <input type="checkbox"/> KL <input type="checkbox"/> HP <input type="checkbox"/> SSC <input type="checkbox"/> SMC <input type="checkbox"/> W <input type="checkbox"/> Z <input type="checkbox"/> PC <input type="checkbox"/>
	ACET064 No. 8 x 16 S/S Self Tapping CSK Screw	100	pack		MF <input checked="" type="checkbox"/> SA <input type="checkbox"/> KL <input type="checkbox"/> HP <input type="checkbox"/> SSC <input type="checkbox"/> SMC <input type="checkbox"/> W <input type="checkbox"/> Z <input type="checkbox"/> PC <input type="checkbox"/>
	ACET066 No. 7 x 38 S/S Self Tapping CSK Screw	100	pack		MF <input checked="" type="checkbox"/> SA <input type="checkbox"/> KL <input type="checkbox"/> HP <input type="checkbox"/> SSC <input type="checkbox"/> SMC <input type="checkbox"/> W <input type="checkbox"/> Z <input type="checkbox"/> PC <input type="checkbox"/>
<p>T-BARS ACVG65=2.5mm ACVG66=3.0mm ACVL150=4.0mm</p> <p>Screw (Grub)</p>	MF = Mill Finish SA = Silver Anodised KL = Basic Colour HP = Special Colour SSC = Smooth Satin Chrome SMC = Smokey Chrome PC = Polished Chrome	W = White Z = Black			

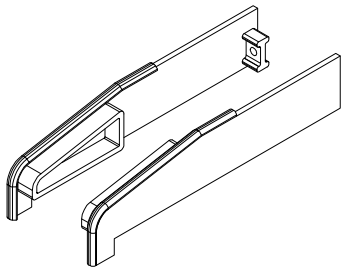
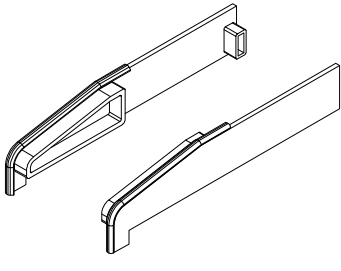
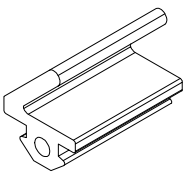
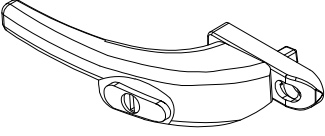
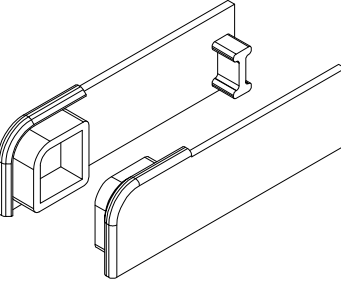


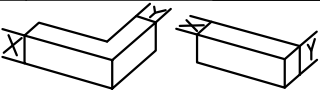
ACCESSORIES : PHOTOS & DRAWINGS

Image	Part Code	Pack	Unit	Application	Colour	
	ACET068 No. 8 x 10 S/S Self Tapping Flange Screw	100	pack	Friction Hinges	MF	✓
					SA	
					KL	
					HP	
					SSC	
					SMC	
					W	
					Z	
					PC	
	ACET069 M5 x 12 S/S CSK Machine Screw	100	pack	ACET165	MF	✓
					SA	
					KL	
					HP	
					SSC	
					SMC	
					W	
					Z	
					PC	
	ACET070 No. 8 x 13 S/S Self Tapping Flange Screw	100	pack	Friction Hinges	MF	✓
					SA	
					KL	
					HP	
					SSC	
					SMC	
					W	
					Z	
					PC	
	ACET077 Corner Cleat	24	pack	W20018 W20024 W20028 W20029 W20047 W20147	MF	✓
					SA	
					KL	
					HP	
					SSC	
					SMC	
					W	
					Z	
					PC	
	ACET099 No. 8 x 19 S/S Self Tapping Flange Screw	100	pack		MF	✓
					SA	
					KL	
					HP	
					SSC	
					SMC	
					W	
					Z	
					PC	
 <small>T-BARS ACVG66=2.5mm ACVG66=3.0mm ACVL150=4.0mm</small>	 <small>Screw (Grub)</small>	MF = Mill Finish SA = Silver Anodised KL = Basic Colour HP = Special Colour SSC = Smooth Satin Chrome SMC = Smokey Chrome PC = Polished Chrome	W = White Z = Black			

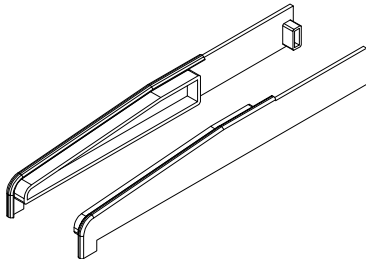
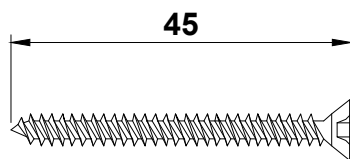
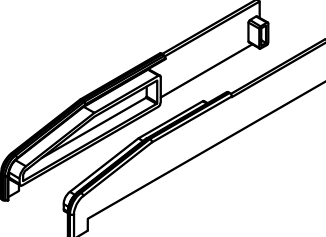
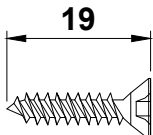
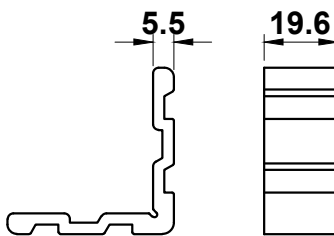


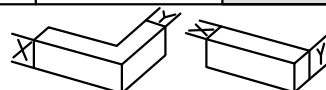
ACCESSORIES : PHOTOS & DRAWINGS

Image	Part Code	Pack	Unit	Application	Colour
	ACET114 Stainless Steel Anti-Twist Clip	100	pack	W20032 W20035	MF <input checked="" type="checkbox"/>
					SA <input type="checkbox"/>
					KL <input type="checkbox"/>
					HP <input type="checkbox"/>
					SSC <input type="checkbox"/>
					SMC <input type="checkbox"/>
					W <input type="checkbox"/>
					Z <input type="checkbox"/>
					PC <input type="checkbox"/>
					
SA <input type="checkbox"/>					
KL <input type="checkbox"/>					
HP <input type="checkbox"/>					
SSC <input type="checkbox"/>					
SMC <input type="checkbox"/>					
W <input type="checkbox"/>					
Z <input type="checkbox"/>					
PC <input type="checkbox"/>					
	ACET130 Galvanised Steel Fixing Strap 200mm x 25mm x 1.5mm	100	pack	W20015 W20016 W20017 W20018 W20110	
					SA <input type="checkbox"/>
					KL <input type="checkbox"/>
					HP <input type="checkbox"/>
					SSC <input type="checkbox"/>
					SMC <input type="checkbox"/>
					W <input type="checkbox"/>
					Z <input type="checkbox"/>
					PC <input type="checkbox"/>
					
SA <input type="checkbox"/>					
KL <input type="checkbox"/>					
HP <input type="checkbox"/>					
SSC <input type="checkbox"/>					
SMC <input type="checkbox"/>					
W <input checked="" type="checkbox"/>					
Z <input checked="" type="checkbox"/>					
PC <input type="checkbox"/>					
	ACET149 90° Slimline Restrictor	1	each	W20015 W20016 W20017 W20111 W20112 W20126	
					SA <input type="checkbox"/>
					KL <input type="checkbox"/>
					HP <input type="checkbox"/>
					SSC <input type="checkbox"/>
					SMC <input type="checkbox"/>
					W <input type="checkbox"/>
					Z <input type="checkbox"/>
					PC <input type="checkbox"/>
					 <p>T-BARS ACVG65=2.5mm ACVG66=3.0mm ACVL150=4.0mm</p> <p>Screw (Grub)</p>

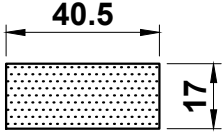
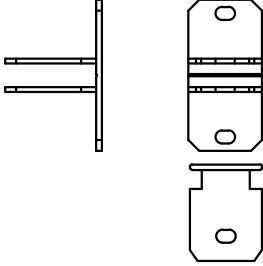
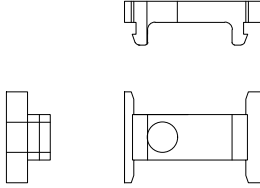
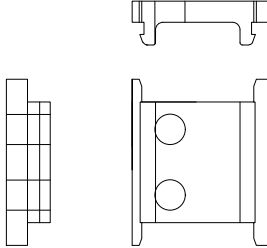
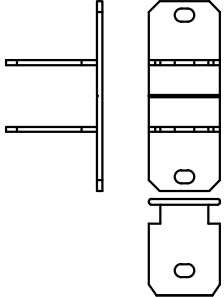


ACCESSORIES : PHOTOS & DRAWINGS

Image	Part Code	Pack	Unit	Application	Colour	
	ACET152 PVC Cill End Caps	10	pair	ETC452	MF	
					SA	
					KL	
					HP	
					SSC	
					SMC	
					W	✓
					Z	✓
					PC	
	ACET157 PVC Cill End Caps	10	pair	ETC457	MF	
					SA	
					KL	
					HP	
					SSC	
					SMC	
					W	✓
					Z	✓
					PC	
	ACET160 EPDM Flipper Gasket	100	m	W20015 W20027 W20127	MF	
					SA	
					KL	
					HP	
					SSC	
					SMC	
					W	
					Z	✓
					PC	
	ACET165 Espagnolette Handle 9mm Spindle	1	each	Reverse Espag Locking	MF	✓
					SA	✓
					KL	
					HP	
					SSC	
					SMC	
					W	✓
					Z	✓
					PC	✓
	ACET178 PVC Cill End Caps	10	pair	ETC451	MF	
					SA	
					KL	
					HP	
					SSC	
					SMC	
					W	✓
					Z	✓
					PC	
 T-BARS ACVG66=2.5mm ACVG66=3.0mm ACVL150=4.0mm	 Screw (Grub)	MF = Mill Finish SA = Silver Anodised KL = Basic Colour HP = Special Colour SSC = Smooth Satin Chrome SMC = Smokey Chrome PC = Polished Chrome	W = White Z = Black			

ACCESSORIES : PHOTOS & DRAWINGS

Image	Part Code	Pack	Unit	Application	Colour																		
	ACET179 PVC Cill End Caps	10	pair	ETC479	<table border="1"> <tr><td>MF</td><td></td></tr> <tr><td>SA</td><td></td></tr> <tr><td>KL</td><td></td></tr> <tr><td>HP</td><td></td></tr> <tr><td>SSC</td><td></td></tr> <tr><td>SMC</td><td></td></tr> <tr><td>W</td><td>✓</td></tr> <tr><td>Z</td><td>✓</td></tr> <tr><td>PC</td><td></td></tr> </table>	MF		SA		KL		HP		SSC		SMC		W	✓	Z	✓	PC	
MF																							
SA																							
KL																							
HP																							
SSC																							
SMC																							
W	✓																						
Z	✓																						
PC																							
	ACET190 4.3 x 45mm CSK Polyamide Screw	1000	Pack		<table border="1"> <tr><td>MF</td><td></td></tr> <tr><td>SA</td><td></td></tr> <tr><td>KL</td><td></td></tr> <tr><td>HP</td><td></td></tr> <tr><td>SSC</td><td></td></tr> <tr><td>SMC</td><td></td></tr> <tr><td>W</td><td></td></tr> <tr><td>Z</td><td>✓</td></tr> <tr><td>PC</td><td></td></tr> </table>	MF		SA		KL		HP		SSC		SMC		W		Z	✓	PC	
MF																							
SA																							
KL																							
HP																							
SSC																							
SMC																							
W																							
Z	✓																						
PC																							
	ACET258 PVC Cill End Cap	10	pair	ETC458	<table border="1"> <tr><td>MF</td><td></td></tr> <tr><td>SA</td><td></td></tr> <tr><td>KL</td><td></td></tr> <tr><td>HP</td><td></td></tr> <tr><td>SSC</td><td></td></tr> <tr><td>SMC</td><td></td></tr> <tr><td>W</td><td>✓</td></tr> <tr><td>Z</td><td>✓</td></tr> <tr><td>PC</td><td></td></tr> </table>	MF		SA		KL		HP		SSC		SMC		W	✓	Z	✓	PC	
MF																							
SA																							
KL																							
HP																							
SSC																							
SMC																							
W	✓																						
Z	✓																						
PC																							
	ACET290 4.3 x 19mm CSK Polyamide Screw	1000	Pack		<table border="1"> <tr><td>MF</td><td></td></tr> <tr><td>SA</td><td></td></tr> <tr><td>KL</td><td></td></tr> <tr><td>HP</td><td></td></tr> <tr><td>SSC</td><td></td></tr> <tr><td>SMC</td><td></td></tr> <tr><td>W</td><td></td></tr> <tr><td>Z</td><td>✓</td></tr> <tr><td>PC</td><td></td></tr> </table>	MF		SA		KL		HP		SSC		SMC		W		Z	✓	PC	
MF																							
SA																							
KL																							
HP																							
SSC																							
SMC																							
W																							
Z	✓																						
PC																							
	ACET310 Corner Cleat	24	pack	W20015 W20016 W20017 W20111 W20112	<table border="1"> <tr><td>MF</td><td>✓</td></tr> <tr><td>SA</td><td></td></tr> <tr><td>KL</td><td></td></tr> <tr><td>HP</td><td></td></tr> <tr><td>SSC</td><td></td></tr> <tr><td>SMC</td><td></td></tr> <tr><td>W</td><td></td></tr> <tr><td>Z</td><td></td></tr> <tr><td>PC</td><td></td></tr> </table>	MF	✓	SA		KL		HP		SSC		SMC		W		Z		PC	
MF	✓																						
SA																							
KL																							
HP																							
SSC																							
SMC																							
W																							
Z																							
PC																							
 <p>T-BARS ACVG66=2.5mm ACVG66=3.0mm ACVL150=4.0mm</p>  <p>Screw (Grub)</p>	<p>MF = Mill Finish SA = Silver Anodised KL = Basic Colour HP = Special Colour SSC = Smooth Satin Chrome SMC = Smokey Chrome PC = Polished Chrome</p>	<p>W = White Z = Black</p>																					

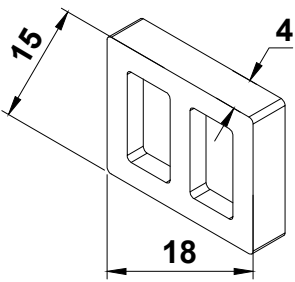

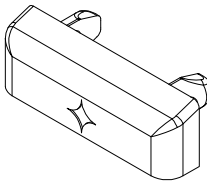
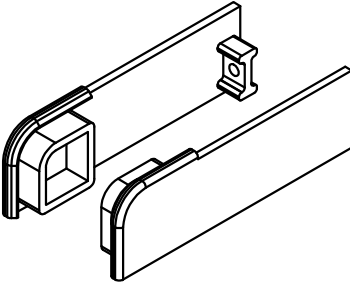
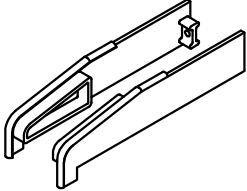

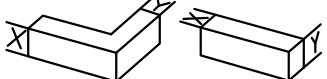
ACCESSORIES : PHOTOS & DRAWINGS

Image	Part Code	Pack	Unit	Application	Colour	
	ACET313 Foam Infill 1250mm Lengths	1	each	W20111	MF	✓
					SA	
					KL	
					HP	
					SSC	
					SMC	
					W	
					Z	
					PC	
						ACET333 Cruciform Block
SA						
KL						
HP						
SSC						
SMC						
W						
Z						
PC						
	ACET334 Transom Locator Block	100	pack	W20032 W20035		
					SA	
					KL	
					HP	
					SSC	
					SMC	
					W	
					Z	✓
					PC	
						ACET335 Transom Locator Block
SA						
KL						
HP						
SSC						
SMC						
W						
Z	✓					
PC						
	ACET336 Cruciform Block	24	pack	W20034 W20039		
					SA	
					KL	
					HP	
					SSC	
					SMC	
					W	
					Z	
					PC	
					 	MF = Mill Finish SA = Silver Anodised KL = Basic Colour HP = Special Colour SSC = Smooth Satin Chrome SMC = Smokey Chrome PC = Polished Chrome

ACCESSORIES : PHOTOS & DRAWINGS

Image	Part Code	Pack	Unit	Application	Colour																		
	ACET343 Crimping Cleat	24	pack	W20145	<table border="1"> <tr><td>MF</td><td>✓</td></tr> <tr><td>SA</td><td></td></tr> <tr><td>KL</td><td></td></tr> <tr><td>HP</td><td></td></tr> <tr><td>SSC</td><td></td></tr> <tr><td>SMC</td><td></td></tr> <tr><td>W</td><td></td></tr> <tr><td>Z</td><td></td></tr> <tr><td>PC</td><td></td></tr> </table>	MF	✓	SA		KL		HP		SSC		SMC		W		Z		PC	
MF	✓																						
SA																							
KL																							
HP																							
SSC																							
SMC																							
W																							
Z																							
PC																							
	ACET345 Crimping Cleat	24	pack	W20145	<table border="1"> <tr><td>MF</td><td>✓</td></tr> <tr><td>SA</td><td></td></tr> <tr><td>KL</td><td></td></tr> <tr><td>HP</td><td></td></tr> <tr><td>SSC</td><td></td></tr> <tr><td>SMC</td><td></td></tr> <tr><td>W</td><td></td></tr> <tr><td>Z</td><td></td></tr> <tr><td>PC</td><td></td></tr> </table>	MF	✓	SA		KL		HP		SSC		SMC		W		Z		PC	
MF	✓																						
SA																							
KL																							
HP																							
SSC																							
SMC																							
W																							
Z																							
PC																							
	ACET352 Egress Hinge Pull-in Block	50	pairs		<table border="1"> <tr><td>MF</td><td>✓</td></tr> <tr><td>SA</td><td></td></tr> <tr><td>KL</td><td></td></tr> <tr><td>HP</td><td></td></tr> <tr><td>SSC</td><td></td></tr> <tr><td>SMC</td><td></td></tr> <tr><td>W</td><td>✓</td></tr> <tr><td>Z</td><td>✓</td></tr> <tr><td>PC</td><td></td></tr> </table>	MF	✓	SA		KL		HP		SSC		SMC		W	✓	Z	✓	PC	
MF	✓																						
SA																							
KL																							
HP																							
SSC																							
SMC																							
W	✓																						
Z	✓																						
PC																							
	ACET380 Run Up Block	100	pack		<table border="1"> <tr><td>MF</td><td></td></tr> <tr><td>SA</td><td></td></tr> <tr><td>KL</td><td></td></tr> <tr><td>HP</td><td></td></tr> <tr><td>SSC</td><td></td></tr> <tr><td>SMC</td><td></td></tr> <tr><td>W</td><td>✓</td></tr> <tr><td>Z</td><td>✓</td></tr> <tr><td>PC</td><td></td></tr> </table>	MF		SA		KL		HP		SSC		SMC		W	✓	Z	✓	PC	
MF																							
SA																							
KL																							
HP																							
SSC																							
SMC																							
W	✓																						
Z	✓																						
PC																							
	ACET390 4.3 x 25mm CSK Polyamide Screw	200	Pack		<table border="1"> <tr><td>MF</td><td></td></tr> <tr><td>SA</td><td></td></tr> <tr><td>KL</td><td></td></tr> <tr><td>HP</td><td></td></tr> <tr><td>SSC</td><td></td></tr> <tr><td>SMC</td><td></td></tr> <tr><td>W</td><td></td></tr> <tr><td>Z</td><td>✓</td></tr> <tr><td>PC</td><td></td></tr> </table>	MF		SA		KL		HP		SSC		SMC		W		Z	✓	PC	
MF																							
SA																							
KL																							
HP																							
SSC																							
SMC																							
W																							
Z	✓																						
PC																							
<p>T-BARS ACVG665=2.5mm ACVG666=3.0mm ACVL150=4.0mm</p> <p>Screw (Grub)</p>	MF = Mill Finish SA = Silver Anodised KL = Basic Colour HP = Special Colour SSC = Smooth Satin Chrome SMC = Smokey Chrome PC = Polished Chrome	W = White Z = Black																					

ACCESSORIES : PHOTOS & DRAWINGS

Image	Part Code	Pack	Unit	Application	Colour																		
	ACET393 Packer for W20047/W20147	50	Pack	W20047 W20147	<table border="1"> <tr><td>MF</td><td></td></tr> <tr><td>SA</td><td></td></tr> <tr><td>KL</td><td></td></tr> <tr><td>HP</td><td></td></tr> <tr><td>SSC</td><td></td></tr> <tr><td>SMC</td><td></td></tr> <tr><td>W</td><td></td></tr> <tr><td>Z</td><td>✓</td></tr> <tr><td>PC</td><td></td></tr> </table>	MF		SA		KL		HP		SSC		SMC		W		Z	✓	PC	
MF																							
SA																							
KL																							
HP																							
SSC																							
SMC																							
W																							
Z	✓																						
PC																							
	ACET397 8.6mm Packer	1	each	W20122	<table border="1"> <tr><td>MF</td><td>✓</td></tr> <tr><td>SA</td><td></td></tr> <tr><td>KL</td><td></td></tr> <tr><td>HP</td><td></td></tr> <tr><td>SSC</td><td></td></tr> <tr><td>SMC</td><td></td></tr> <tr><td>W</td><td></td></tr> <tr><td>Z</td><td></td></tr> <tr><td>PC</td><td></td></tr> </table>	MF	✓	SA		KL		HP		SSC		SMC		W		Z		PC	
MF	✓																						
SA																							
KL																							
HP																							
SSC																							
SMC																							
W																							
Z																							
PC																							
	ACET431 Colour Match Drainage Cover Cap	8	pack		<table border="1"> <tr><td>MF</td><td></td></tr> <tr><td>SA</td><td></td></tr> <tr><td>KL</td><td>✓</td></tr> <tr><td>HP</td><td>✓</td></tr> <tr><td>SSC</td><td></td></tr> <tr><td>SMC</td><td></td></tr> <tr><td>W</td><td>✓</td></tr> <tr><td>Z</td><td>✓</td></tr> <tr><td>PC</td><td></td></tr> </table>	MF		SA		KL	✓	HP	✓	SSC		SMC		W	✓	Z	✓	PC	
MF																							
SA																							
KL	✓																						
HP	✓																						
SSC																							
SMC																							
W	✓																						
Z	✓																						
PC																							
	ACET451 Cast Cill End Caps (Pair)	1	pair	ETC451	<table border="1"> <tr><td>MF</td><td>✓</td></tr> <tr><td>SA</td><td></td></tr> <tr><td>KL</td><td>✓</td></tr> <tr><td>HP</td><td>✓</td></tr> <tr><td>SSC</td><td></td></tr> <tr><td>SMC</td><td></td></tr> <tr><td>W</td><td>✓</td></tr> <tr><td>Z</td><td>✓</td></tr> <tr><td>PC</td><td></td></tr> </table>	MF	✓	SA		KL	✓	HP	✓	SSC		SMC		W	✓	Z	✓	PC	
MF	✓																						
SA																							
KL	✓																						
HP	✓																						
SSC																							
SMC																							
W	✓																						
Z	✓																						
PC																							
	ACET452 Cast Cill End Caps (Pair)	1	Pair	ETC452	<table border="1"> <tr><td>MF</td><td>✓</td></tr> <tr><td>SA</td><td></td></tr> <tr><td>KL</td><td>✓</td></tr> <tr><td>HP</td><td>✓</td></tr> <tr><td>SSC</td><td></td></tr> <tr><td>SMC</td><td></td></tr> <tr><td>W</td><td>✓</td></tr> <tr><td>Z</td><td>✓</td></tr> <tr><td>PC</td><td></td></tr> </table>	MF	✓	SA		KL	✓	HP	✓	SSC		SMC		W	✓	Z	✓	PC	
MF	✓																						
SA																							
KL	✓																						
HP	✓																						
SSC																							
SMC																							
W	✓																						
Z	✓																						
PC																							
 <p>T-BARS ACVG65=2.5mm ACVG66=3.0mm ACVL150=4.0mm</p> <p>Screw (Grub)</p>	<p>MF = Mill Finish SA = Silver Anodised KL = Basic Colour HP = Special Colour SSC = Smooth Satin Chrome SMC = Smokey Chrome PC = Polished Chrome</p>	<p>W = White Z = Black</p>																					

ACCESSORIES : PHOTOS & DRAWINGS

Image	Part Code	Pack	Unit	Application	Colour	
	ACET457 Cast Cill End Caps (Pair)	1	Pair	ETC457	MF	✓
					SA	
					KL	✓
					HP	✓
					SSC	
					SMC	
					W	✓
					Z	✓
					PC	
	ACET458 Cast Cill End Caps (Pair)	1	Pair	ETC458	MF	✓
					SA	
					KL	✓
					HP	✓
					SSC	
					SMC	
					W	✓
					Z	✓
					PC	
	ACET460 4.3 x 16mm CSK Polyamide Screw	1	Each		MF	
					SA	
					KL	✓
					HP	✓
					SSC	✓
					SMC	✓
					W	✓
					Z	✓
					PC	✓
	ACET463 Locking Tilt & Turn Handle	1	Each		MF	
					SA	
					KL	
					HP	
					SSC	
					SMC	
					W	
					Z	
					PC	
	ACET464 Non-Locking Tilt & Turn Handle	1	Each		MF	
					SA	
					KL	
					HP	
					SSC	
					SMC	
					W	
					Z	
					PC	
<p>T-BARS ACVG65=2.5mm ACVG66=3.0mm ACVL150=4.0mm</p> <p>Screw (Grub)</p>	MF = Mill Finish SA = Silver Anodised KL = Basic Colour HP = Special Colour SSC = Smooth Satin Chrome SMC = Smokey Chrome PC = Polished Chrome	W = White Z = Black				

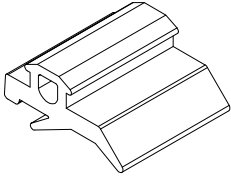
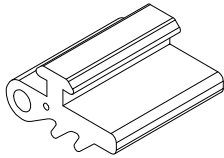

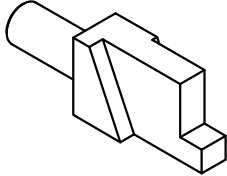
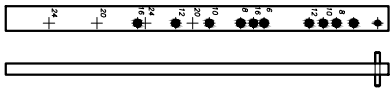


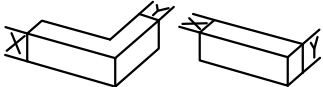
ACCESSORIES : PHOTOS & DRAWINGS

Image	Part Code	Pack	Unit	Application	Colour	
	ACET479 Cast Cill End Caps (Pair)	1	Pair	ETC479	MF	✓
					SA	
					KL	✓
					HP	✓
					SSC	
					SMC	
					W	✓
					Z	✓
					PC	
	ACET490 4.3 x 16mm CSK Polyamide Screw	1000	Pack		MF	
					SA	
					KL	
					HP	
					SSC	
					SMC	
					W	
					Z	✓
					PC	
	ACET495 2no. M5 x 12 SS CSK Machine Screw	1	Pack	ACET460	MF	
					SA	
					KL	
					HP	
					SSC	
					SMC	
					W	
					Z	
					PC	
	ACET513 13mm Cavity Security Hinge Protector 4 Per Set (2 Pairs)	4	Sets		MF	
					SA	
					KL	
					HP	
					SSC	
					SMC	
					W	
					Z	✓
					PC	
	ACET569 Astragal Bar Tape 10mm x 1mm	50	m		MF	
					SA	
					KL	
					HP	
					SSC	
					SMC	
					W	
					Z	
					PC	
<p>T-BARS ACVG65=2.5mm ACVG66=3.0mm ACVL150=4.0mm</p> <p>Screw (Grub)</p>	MF = Mill Finish SA = Silver Anodised KL = Basic Colour HP = Special Colour SSC = Smooth Satin Chrome SMC = Smokey Chrome PC = Polished Chrome	W = White Z = Black				

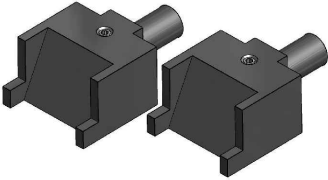
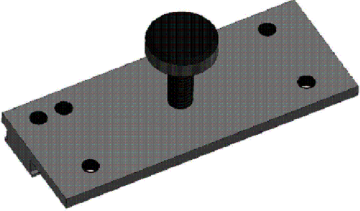
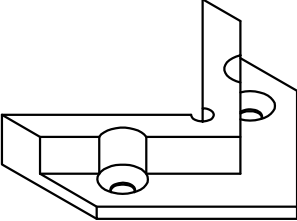
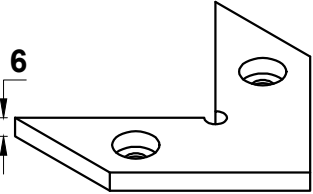



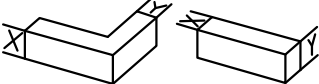
ACCESSORIES : PHOTOS & DRAWINGS

Image	Part Code	Pack	Unit	Application	Colour																		
	ACET619 Foam Infill 1250mm Lengths	1	each	W20112	<table border="1"> <tr><td>MF</td><td>✓</td></tr> <tr><td>SA</td><td></td></tr> <tr><td>KL</td><td></td></tr> <tr><td>HP</td><td></td></tr> <tr><td>SSC</td><td></td></tr> <tr><td>SMC</td><td></td></tr> <tr><td>W</td><td></td></tr> <tr><td>Z</td><td></td></tr> <tr><td>PC</td><td></td></tr> </table>	MF	✓	SA		KL		HP		SSC		SMC		W		Z		PC	
MF	✓																						
SA																							
KL																							
HP																							
SSC																							
SMC																							
W																							
Z																							
PC																							
	ACET624 Stainless Steel Chevron	100	Pack	W20122	<table border="1"> <tr><td>MF</td><td>✓</td></tr> <tr><td>SA</td><td></td></tr> <tr><td>KL</td><td></td></tr> <tr><td>HP</td><td></td></tr> <tr><td>SSC</td><td></td></tr> <tr><td>SMC</td><td></td></tr> <tr><td>W</td><td></td></tr> <tr><td>Z</td><td></td></tr> <tr><td>PC</td><td></td></tr> </table>	MF	✓	SA		KL		HP		SSC		SMC		W		Z		PC	
MF	✓																						
SA																							
KL																							
HP																							
SSC																							
SMC																							
W																							
Z																							
PC																							
	ACET840 5mm Low Line Internal EPDM Wedge Gasket	150	m		<table border="1"> <tr><td>MF</td><td></td></tr> <tr><td>SA</td><td></td></tr> <tr><td>KL</td><td></td></tr> <tr><td>HP</td><td></td></tr> <tr><td>SSC</td><td></td></tr> <tr><td>SMC</td><td></td></tr> <tr><td>W</td><td></td></tr> <tr><td>Z</td><td>✓</td></tr> <tr><td>PC</td><td></td></tr> </table>	MF		SA		KL		HP		SSC		SMC		W		Z	✓	PC	
MF																							
SA																							
KL																							
HP																							
SSC																							
SMC																							
W																							
Z	✓																						
PC																							
	ACET841 4mm Low Line External EPDM Gasket	200	m		<table border="1"> <tr><td>MF</td><td></td></tr> <tr><td>SA</td><td></td></tr> <tr><td>KL</td><td></td></tr> <tr><td>HP</td><td></td></tr> <tr><td>SSC</td><td></td></tr> <tr><td>SMC</td><td></td></tr> <tr><td>W</td><td></td></tr> <tr><td>Z</td><td>✓</td></tr> <tr><td>PC</td><td></td></tr> </table>	MF		SA		KL		HP		SSC		SMC		W		Z	✓	PC	
MF																							
SA																							
KL																							
HP																							
SSC																							
SMC																							
W																							
Z	✓																						
PC																							
	ACET842 3mm Low Line External Gasket	200	m		<table border="1"> <tr><td>MF</td><td></td></tr> <tr><td>SA</td><td></td></tr> <tr><td>KL</td><td></td></tr> <tr><td>HP</td><td></td></tr> <tr><td>SSC</td><td></td></tr> <tr><td>SMC</td><td></td></tr> <tr><td>W</td><td></td></tr> <tr><td>Z</td><td>✓</td></tr> <tr><td>PC</td><td></td></tr> </table>	MF		SA		KL		HP		SSC		SMC		W		Z	✓	PC	
MF																							
SA																							
KL																							
HP																							
SSC																							
SMC																							
W																							
Z	✓																						
PC																							
<p>T-BARS ACVG66=2.5mm ACVG66=3.0mm ACVL150=4.0mm</p> <p>Screw (Grub)</p>	MF = Mill Finish SA = Silver Anodised KL = Basic Colour HP = Special Colour SSC = Smooth Satin Chrome SMC = Smokey Chrome PC = Polished Chrome	W = White Z = Black																					


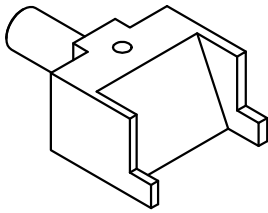
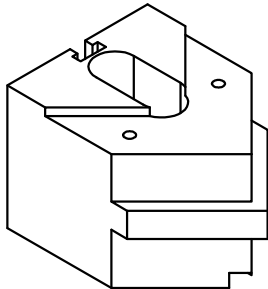
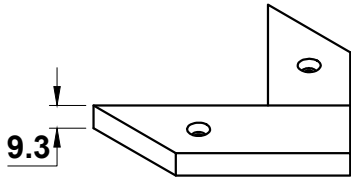



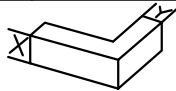
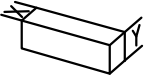
ACCESSORIES : PHOTOS & DRAWINGS

Image	Part Code	Pack	Unit	Application	Colour
	ACET843 2mm Low Line External Gasket	200	m		MF <input checked="" type="checkbox"/>
					SA <input type="checkbox"/>
					KL <input type="checkbox"/>
					HP <input type="checkbox"/>
					SSC <input type="checkbox"/>
					SMC <input type="checkbox"/>
					W <input type="checkbox"/>
					Z <input checked="" type="checkbox"/>
					PC <input type="checkbox"/>
	ACET845 3mm Low Line External EPDM Gasket with Rigid Backing Slides into glazing bead	100	m		MF <input type="checkbox"/>
					SA <input type="checkbox"/>
					KL <input type="checkbox"/>
					HP <input type="checkbox"/>
					SSC <input type="checkbox"/>
					SMC <input type="checkbox"/>
					W <input type="checkbox"/>
					Z <input checked="" type="checkbox"/>
					PC <input type="checkbox"/>
	ACET889 Vee Block	1	each	W20122	MF <input checked="" type="checkbox"/>
					SA <input type="checkbox"/>
					KL <input type="checkbox"/>
					HP <input type="checkbox"/>
					SSC <input type="checkbox"/>
					SMC <input type="checkbox"/>
					W <input type="checkbox"/>
					Z <input type="checkbox"/>
					PC <input type="checkbox"/>
	ACET904 Punches	1	pair	W20015 W20016 W20110	MF <input checked="" type="checkbox"/>
					SA <input type="checkbox"/>
					KL <input type="checkbox"/>
					HP <input type="checkbox"/>
					SSC <input type="checkbox"/>
					SMC <input type="checkbox"/>
					W <input type="checkbox"/>
					Z <input type="checkbox"/>
					PC <input type="checkbox"/>
	ACET911 Friction Hinge Drill Jig	1	each	W20024 W20025 W20026 W20027 W20028 W20029	MF <input checked="" type="checkbox"/>
					SA <input type="checkbox"/>
					KL <input type="checkbox"/>
					HP <input type="checkbox"/>
					SSC <input type="checkbox"/>
					SMC <input type="checkbox"/>
					W <input type="checkbox"/>
					Z <input type="checkbox"/>
					PC <input type="checkbox"/>
 <small>T-BARS ACVG66=2.5mm ACVG66=3.0mm ACVL150=4.0mm</small>	 <small>Screw (Grub)</small>	MF = Mill Finish SA = Silver Anodised KL = Basic Colour HP = Special Colour SSC = Smooth Satin Chrome SMC = Smokey Chrome PC = Polished Chrome	W = White Z = Black		

ACCESSORIES : PHOTOS & DRAWINGS

Image	Part Code	Pack	Unit	Application	Colour																		
	ACET918 Punches	1	pair	W20018	<table border="1"> <tr><td>MF</td><td>✓</td></tr> <tr><td>SA</td><td></td></tr> <tr><td>KL</td><td></td></tr> <tr><td>HP</td><td></td></tr> <tr><td>SSC</td><td></td></tr> <tr><td>SMC</td><td></td></tr> <tr><td>W</td><td></td></tr> <tr><td>Z</td><td></td></tr> <tr><td>PC</td><td></td></tr> </table>	MF	✓	SA		KL		HP		SSC		SMC		W		Z		PC	
MF	✓																						
SA																							
KL																							
HP																							
SSC																							
SMC																							
W																							
Z																							
PC																							
	ACET945 Transom/Mullion Drill Jig	1	each		<table border="1"> <tr><td>MF</td><td>✓</td></tr> <tr><td>SA</td><td></td></tr> <tr><td>KL</td><td></td></tr> <tr><td>HP</td><td></td></tr> <tr><td>SSC</td><td></td></tr> <tr><td>SMC</td><td></td></tr> <tr><td>W</td><td></td></tr> <tr><td>Z</td><td></td></tr> <tr><td>PC</td><td></td></tr> </table>	MF	✓	SA		KL		HP		SSC		SMC		W		Z		PC	
MF	✓																						
SA																							
KL																							
HP																							
SSC																							
SMC																							
W																							
Z																							
PC																							
	ACET975 4mm Tufnel Packer	1	each	W20026 W20027 W20028 W20029	<table border="1"> <tr><td>MF</td><td>✓</td></tr> <tr><td>SA</td><td></td></tr> <tr><td>KL</td><td></td></tr> <tr><td>HP</td><td></td></tr> <tr><td>SSC</td><td></td></tr> <tr><td>SMC</td><td></td></tr> <tr><td>W</td><td></td></tr> <tr><td>Z</td><td></td></tr> <tr><td>PC</td><td></td></tr> </table>	MF	✓	SA		KL		HP		SSC		SMC		W		Z		PC	
MF	✓																						
SA																							
KL																							
HP																							
SSC																							
SMC																							
W																							
Z																							
PC																							
	ACET977 6mm Packer	1	each	W20028 W20029 W20147	<table border="1"> <tr><td>MF</td><td>✓</td></tr> <tr><td>SA</td><td></td></tr> <tr><td>KL</td><td></td></tr> <tr><td>HP</td><td></td></tr> <tr><td>SSC</td><td></td></tr> <tr><td>SMC</td><td></td></tr> <tr><td>W</td><td></td></tr> <tr><td>Z</td><td></td></tr> <tr><td>PC</td><td></td></tr> </table>	MF	✓	SA		KL		HP		SSC		SMC		W		Z		PC	
MF	✓																						
SA																							
KL																							
HP																							
SSC																							
SMC																							
W																							
Z																							
PC																							
	ACET978 Punches	1	pair	W20017	<table border="1"> <tr><td>MF</td><td>✓</td></tr> <tr><td>SA</td><td></td></tr> <tr><td>KL</td><td></td></tr> <tr><td>HP</td><td></td></tr> <tr><td>SSC</td><td></td></tr> <tr><td>SMC</td><td></td></tr> <tr><td>W</td><td></td></tr> <tr><td>Z</td><td></td></tr> <tr><td>PC</td><td></td></tr> </table>	MF	✓	SA		KL		HP		SSC		SMC		W		Z		PC	
MF	✓																						
SA																							
KL																							
HP																							
SSC																							
SMC																							
W																							
Z																							
PC																							
 <p>T-BARS ACVG65=2.5mm ACVG66=3.0mm ACVL150=4.0mm</p>  <p>Screw (Grub)</p>	<p>MF = Mill Finish SA = Silver Anodised KL = Basic Colour HP = Special Colour SSC = Smooth Satin Chrome SMC = Smokey Chrome PC = Polished Chrome</p>	<p>W = White Z = Black</p>																					

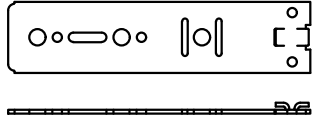
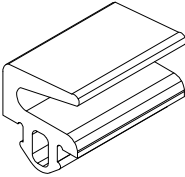
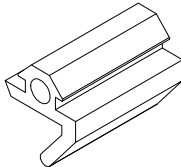
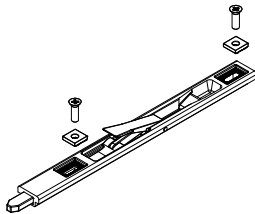
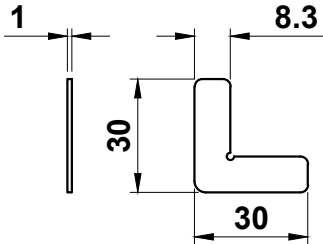

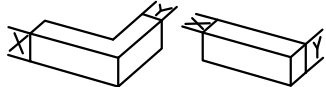
ACCESSORIES : PHOTOS & DRAWINGS

Image	Part Code	Pack	Unit	Application	Colour	
	ACET979 Vee Block	1	each	W20017	MF	✓
					SA	
					KL	
					HP	
					SSC	
					SMC	
					W	
					Z	
					PC	
	ACET981 Punches	1	pair	W20047 W20147	MF	✓
					SA	
					KL	
					HP	
					SSC	
					SMC	
					W	
					Z	
					PC	
	ACET982 Vee Block	1	each	W20015 W20016	MF	✓
					SA	
					KL	
					HP	
					SSC	
					SMC	
					W	
					Z	
					PC	
	ACET990 9.3mm Packer	1	each	W20110	MF	✓
					SA	
					KL	
					HP	
					SSC	
					SMC	
					W	
					Z	
					PC	
	ACETME13 13.5mm Egress Hinge	1	pair	ACETME13	MF	
					SA	
					KL	
					HP	
					SSC	
					SMC	
					W	
					Z	
					PC	
 T-BARS ACVG66=2.5mm ACVG66=3.0mm ACVL150=4.0mm	 Screw (Grub)	MF = Mill Finish SA = Silver Anodised KL = Basic Colour HP = Special Colour SSC = Smooth Satin Chrome SMC = Smokey Chrome PC = Polished Chrome	W = White Z = Black	 		

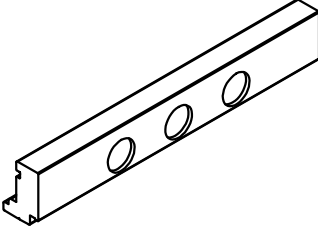
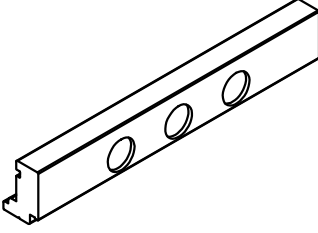
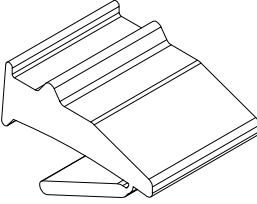
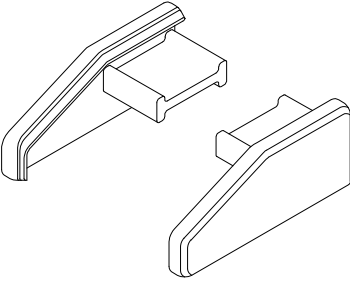
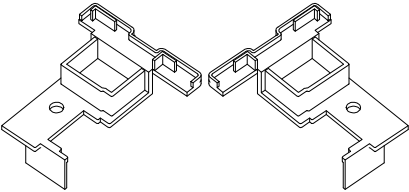


ACCESSORIES : PHOTOS & DRAWINGS

Image	Part Code	Pack	Unit	Application	Colour																		
	ACGSL045 Drainage Cap	100	pack		<table border="1"> <tr><td>MF</td><td></td></tr> <tr><td>SA</td><td></td></tr> <tr><td>KL</td><td></td></tr> <tr><td>HP</td><td></td></tr> <tr><td>SSC</td><td></td></tr> <tr><td>SMC</td><td></td></tr> <tr><td>W</td><td>✓</td></tr> <tr><td>Z</td><td>✓</td></tr> <tr><td>PC</td><td></td></tr> </table>	MF		SA		KL		HP		SSC		SMC		W	✓	Z	✓	PC	
MF																							
SA																							
KL																							
HP																							
SSC																							
SMC																							
W	✓																						
Z	✓																						
PC																							
	ACRV032 Sealing Gasket for Coupler	50	m	W20016	<table border="1"> <tr><td>MF</td><td></td></tr> <tr><td>SA</td><td></td></tr> <tr><td>KL</td><td></td></tr> <tr><td>HP</td><td></td></tr> <tr><td>SSC</td><td></td></tr> <tr><td>SMC</td><td></td></tr> <tr><td>W</td><td></td></tr> <tr><td>Z</td><td>✓</td></tr> <tr><td>PC</td><td></td></tr> </table>	MF		SA		KL		HP		SSC		SMC		W		Z	✓	PC	
MF																							
SA																							
KL																							
HP																							
SSC																							
SMC																							
W																							
Z	✓																						
PC																							
	ACSM001 Art Deco Door Handles	1	pair		<table border="1"> <tr><td>MF</td><td></td></tr> <tr><td>SA</td><td></td></tr> <tr><td>KL</td><td>✓</td></tr> <tr><td>HP</td><td></td></tr> <tr><td>SSC</td><td></td></tr> <tr><td>SMC</td><td></td></tr> <tr><td>W</td><td>✓</td></tr> <tr><td>Z</td><td>✓</td></tr> <tr><td>PC</td><td></td></tr> </table>	MF		SA		KL	✓	HP		SSC		SMC		W	✓	Z	✓	PC	
MF																							
SA																							
KL	✓																						
HP																							
SSC																							
SMC																							
W	✓																						
Z	✓																						
PC																							
	ACSM002 L/R Art Deco Window Handles	1	each		<table border="1"> <tr><td>MF</td><td></td></tr> <tr><td>SA</td><td></td></tr> <tr><td>KL</td><td>✓</td></tr> <tr><td>HP</td><td></td></tr> <tr><td>SSC</td><td></td></tr> <tr><td>SMC</td><td></td></tr> <tr><td>W</td><td>✓</td></tr> <tr><td>Z</td><td>✓</td></tr> <tr><td>PC</td><td></td></tr> </table>	MF		SA		KL	✓	HP		SSC		SMC		W	✓	Z	✓	PC	
MF																							
SA																							
KL	✓																						
HP																							
SSC																							
SMC																							
W	✓																						
Z	✓																						
PC																							
	ACSM010 L/R Stainless Steel Casement Window Handle	1	each		<table border="1"> <tr><td>MF</td><td></td></tr> <tr><td>SA</td><td></td></tr> <tr><td>KL</td><td></td></tr> <tr><td>HP</td><td></td></tr> <tr><td>SSC</td><td></td></tr> <tr><td>SMC</td><td></td></tr> <tr><td>W</td><td></td></tr> <tr><td>Z</td><td></td></tr> <tr><td>PC</td><td></td></tr> </table>	MF		SA		KL		HP		SSC		SMC		W		Z		PC	
MF																							
SA																							
KL																							
HP																							
SSC																							
SMC																							
W																							
Z																							
PC																							
<p>T-BARS ACVG66=2.5mm ACVG66=3.0mm ACVL150=4.0mm</p> <p>Screw (Grub)</p>	MF = Mill Finish SA = Silver Anodised KL = Basic Colour HP = Special Colour SSC = Smooth Satin Chrome SMC = Smokey Chrome PC = Polished Chrome	W = White Z = Black																					

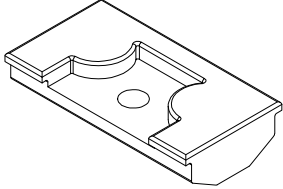
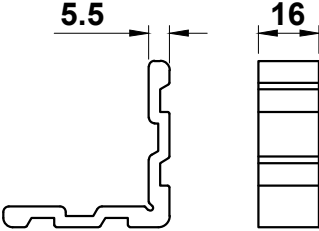
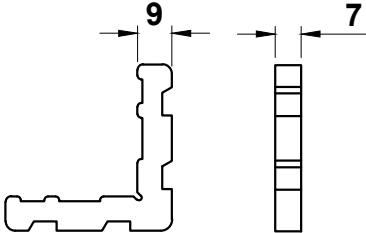

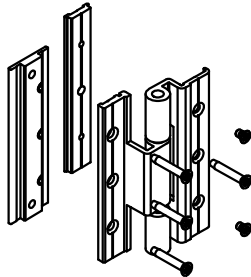



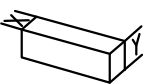
ACCESSORIES : PHOTOS & DRAWINGS

Image	Part Code	Pack	Unit	Application	Colour
	ACUN23X Screw Fixing Lug B x 38mm x 2mm ACUN230: B = 160mm ACUN232: B = 240mm ACUN233: B = 280mm	100	Pack	ETC451 ETC452 ETC457 ETC458 ETC478 ETC479 W20110	MF <input checked="" type="checkbox"/>
					SA <input type="checkbox"/>
	ACVL031 EPDM Flipper Gasket	100	m	W20120	KL <input type="checkbox"/>
					HP <input type="checkbox"/>
	ACVL032 EPDM Flipper Gasket	100	m		SSC <input type="checkbox"/>
					SMC <input type="checkbox"/>
	ACVL432 Shot Bolt	1	each	W20048 ACW20432	W <input type="checkbox"/>
					Z <input checked="" type="checkbox"/>
	ACW20024 Stainless Steel Chevron	100	pack	W20024 W20025 W20026 W20027 W20028 W20029 W20122 W20125N W20126 W20127	PC <input type="checkbox"/>
					MF <input checked="" type="checkbox"/>
	T-BARS ACVG66=2.5mm ACVG66=3.0mm ACVL150=4.0mm	MF = Mill Finish SA = Silver Anodised KL = Basic Colour HP = Special Colour SSC = Smooth Satin Chrome SMC = Smokey Chrome PC = Polished Chrome	W = White Z = Black		

ACCESSORIES : PHOTOS & DRAWINGS

Image	Part Code	Pack	Unit	Application	Colour	
	ACW20028 Handle Fixing Block for use with W20168 bead only	1	each	W20168	MF	✓
					SA	
					KL	✓
					HP	
					SSC	
					SMC	
					W	✓
					Z	✓
					PC	
						ACW20029 Handle Fixing Block for use with W20171 bead only
SA						
KL	✓					
HP						
SSC						
SMC						
W	✓					
Z	✓					
PC						
	ACW20038 4-3mm Tear-away Low-line EPDM Wedge Gasket Black Only	200	m			
					SA	
					KL	
					HP	
					SSC	
					SMC	
					W	
					Z	✓
					PC	
						ACW20039 Transom End Caps
SA						
KL						
HP						
SSC						
SMC						
W	✓					
Z	✓					
PC						
	ACW20048 End Cap W20048	10	pairs	W20048		
					SA	
					KL	
					HP	
					SSC	
					SMC	
					W	✓
					Z	✓
					PC	
					 T-BARS ACVG66=2.5mm ACVG66=3.0mm ACVL150=4.0mm	 Screw (Grub)

ACCESSORIES : PHOTOS & DRAWINGS

Image	Part Code	Pack	Unit	Application	Colour																		
	ACW20049 Keep Packer	50	pack	W20048	<table border="1"> <tr><td>MF</td><td></td></tr> <tr><td>SA</td><td></td></tr> <tr><td>KL</td><td></td></tr> <tr><td>HP</td><td></td></tr> <tr><td>SSC</td><td></td></tr> <tr><td>SMC</td><td></td></tr> <tr><td>W</td><td></td></tr> <tr><td>Z</td><td>✓</td></tr> <tr><td>PC</td><td></td></tr> </table>	MF		SA		KL		HP		SSC		SMC		W		Z	✓	PC	
MF																							
SA																							
KL																							
HP																							
SSC																							
SMC																							
W																							
Z	✓																						
PC																							
	ACW20055 Corner Cleat	24	pack	W20024 W20025 W20026 W20028 W20029	<table border="1"> <tr><td>MF</td><td>✓</td></tr> <tr><td>SA</td><td></td></tr> <tr><td>KL</td><td></td></tr> <tr><td>HP</td><td></td></tr> <tr><td>SSC</td><td></td></tr> <tr><td>SMC</td><td></td></tr> <tr><td>W</td><td></td></tr> <tr><td>Z</td><td></td></tr> <tr><td>PC</td><td></td></tr> </table>	MF	✓	SA		KL		HP		SSC		SMC		W		Z		PC	
MF	✓																						
SA																							
KL																							
HP																							
SSC																							
SMC																							
W																							
Z																							
PC																							
	ACW20056 Corner Cleat	24	pack	W20025 W20026 W20027 W20127	<table border="1"> <tr><td>MF</td><td>✓</td></tr> <tr><td>SA</td><td></td></tr> <tr><td>KL</td><td></td></tr> <tr><td>HP</td><td></td></tr> <tr><td>SSC</td><td></td></tr> <tr><td>SMC</td><td></td></tr> <tr><td>W</td><td></td></tr> <tr><td>Z</td><td></td></tr> <tr><td>PC</td><td></td></tr> </table>	MF	✓	SA		KL		HP		SSC		SMC		W		Z		PC	
MF	✓																						
SA																							
KL																							
HP																							
SSC																							
SMC																							
W																							
Z																							
PC																							
	ACW20058 35/45 Cylinder With Thumbturn Available in Polished Brass	1	each		<table border="1"> <tr><td>MF</td><td>✓</td></tr> <tr><td>SA</td><td></td></tr> <tr><td>KL</td><td></td></tr> <tr><td>HP</td><td></td></tr> <tr><td>SSC</td><td></td></tr> <tr><td>SMC</td><td></td></tr> <tr><td>W</td><td></td></tr> <tr><td>Z</td><td></td></tr> <tr><td>PC</td><td></td></tr> </table>	MF	✓	SA		KL		HP		SSC		SMC		W		Z		PC	
MF	✓																						
SA																							
KL																							
HP																							
SSC																							
SMC																							
W																							
Z																							
PC																							
	ACW20060 Open Out Butt Hinge	1	each		<table border="1"> <tr><td>MF</td><td>✓</td></tr> <tr><td>SA</td><td></td></tr> <tr><td>KL</td><td>✓</td></tr> <tr><td>HP</td><td>✓</td></tr> <tr><td>SSC</td><td></td></tr> <tr><td>SMC</td><td></td></tr> <tr><td>W</td><td>✓</td></tr> <tr><td>Z</td><td>✓</td></tr> <tr><td>PC</td><td></td></tr> </table>	MF	✓	SA		KL	✓	HP	✓	SSC		SMC		W	✓	Z	✓	PC	
MF	✓																						
SA																							
KL	✓																						
HP	✓																						
SSC																							
SMC																							
W	✓																						
Z	✓																						
PC																							
 <p>T-BARS ACVG65=2.5mm ACVG66=3.0mm ACVL150=4.0mm</p>  <p>Screw (Grub)</p>	<p>MF = Mill Finish SA = Silver Anodised KL = Basic Colour HP = Special Colour SSC = Smooth Satin Chrome SMC = Smokey Chrome PC = Polished Chrome</p>	<p>W = White Z = Black</p>	 																				

ACCESSORIES : PHOTOS & DRAWINGS

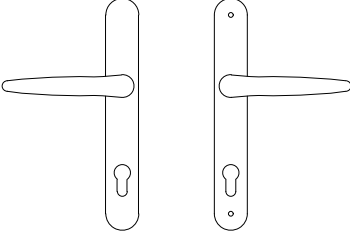



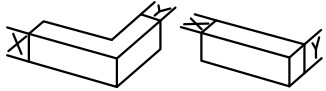
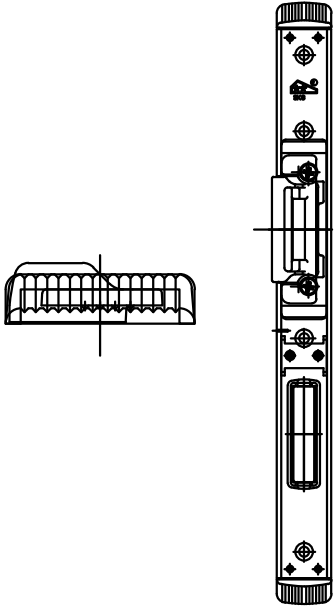
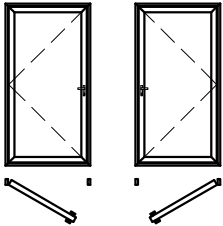
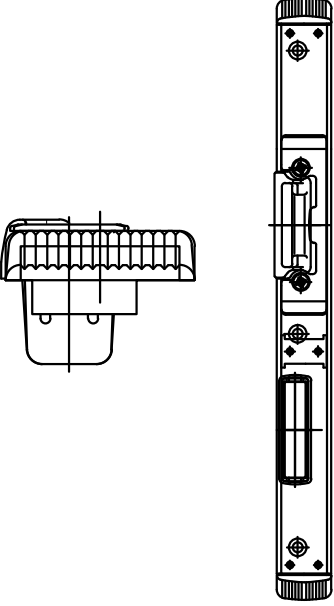
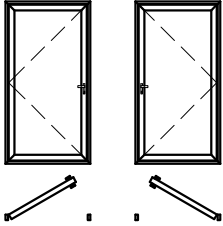
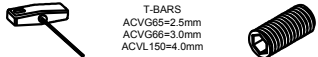
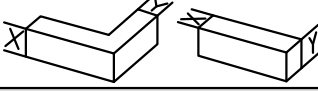
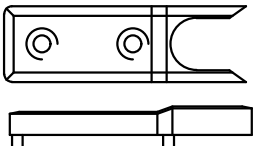
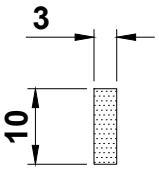
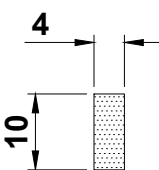
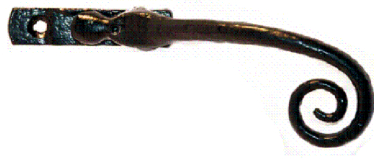

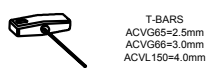

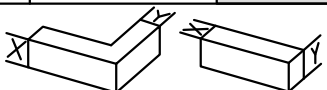
Image	Part Code	Pack	Unit	Application	Colour	
	ACW20061 Door Lever/Lever Handle Includes spindle & fixings	1	Pair		MF <input checked="" type="checkbox"/>	
					SA <input type="checkbox"/>	
					KL <input checked="" type="checkbox"/>	
					HP <input type="checkbox"/>	
					SSC <input type="checkbox"/>	
					SMC <input type="checkbox"/>	
					W <input checked="" type="checkbox"/>	
					Z <input checked="" type="checkbox"/>	
					PC <input checked="" type="checkbox"/>	
	ACW20062 Art Deco Lever / Lever Handle Includes Cylinder Cut Out Available in Antique Brass and Satin Nickel Plate	1	Pair		MF <input type="checkbox"/>	
					SA <input type="checkbox"/>	
					KL <input type="checkbox"/>	
					HP <input type="checkbox"/>	
					SSC <input type="checkbox"/>	
					SMC <input type="checkbox"/>	
					W <input type="checkbox"/>	
					Z <input type="checkbox"/>	
					PC <input type="checkbox"/>	
	ACW20063 Art Deco Lever / Lever Handle Without Cylinder Cut Out Available in Antique Brass and Satin Nickel Plate	1	Pair		MF <input type="checkbox"/>	
					SA <input type="checkbox"/>	
					KL <input type="checkbox"/>	
					HP <input type="checkbox"/>	
					SSC <input type="checkbox"/>	
					SMC <input type="checkbox"/>	
					W <input type="checkbox"/>	
					Z <input type="checkbox"/>	
					PC <input type="checkbox"/>	
					MF <input type="checkbox"/>	
					SA <input type="checkbox"/>	
					KL <input type="checkbox"/>	
					HP <input type="checkbox"/>	
					SSC <input type="checkbox"/>	
					SMC <input type="checkbox"/>	
					W <input type="checkbox"/>	
					Z <input type="checkbox"/>	
					PC <input type="checkbox"/>	
	MF = Mill Finish SA = Silver Anodised KL = Basic Colour HP = Special Colour SSC = Smooth Satin Chrome SMC = Smokey Chrome PC = Polished Chrome				W = White	
					Z = Black	
						







Image	Part Code	Pack	Unit	Application	Colour																		
	<p>ACW20065</p> <p>5 Point Lock</p>	<p>1</p>	<p>each</p>	<p>W20027 W20125 W20127 ACW20066 ACW20067 ACW20166</p>	<table border="1"> <tr><td>MF</td><td>✓</td></tr> <tr><td>SA</td><td></td></tr> <tr><td>KL</td><td></td></tr> <tr><td>HP</td><td></td></tr> <tr><td>SSC</td><td></td></tr> <tr><td>SMC</td><td></td></tr> <tr><td>W</td><td></td></tr> <tr><td>Z</td><td></td></tr> <tr><td>PC</td><td></td></tr> </table>	MF	✓	SA		KL		HP		SSC		SMC		W		Z		PC	
MF	✓																						
SA																							
KL																							
HP																							
SSC																							
SMC																							
W																							
Z																							
PC																							
<p>T-BARS ACVG66=2.5mm ACVG66=3.0mm ACVL150=4.0mm</p> <p>Screw (Grub)</p>	<p>MF = Mill Finish SA = Silver Anodised KL = Basic Colour HP = Special Colour SSC = Smooth Satin Chrome SMC = Smokey Chrome PC = Polished Chrome</p> <p>W = White Z = Black</p>																						

	<p>ACW20066 L/R</p> <p>Open Out Centre Keep</p> <p>Viewed Externally</p>  <p>Left Hand Open Out Right Hand Open Out</p>	<p>1</p>	<p>each</p>	<p>W20027 W20048 W20127 AWC20065 ACW20067</p>	<table border="1"> <tr><td>MF</td><td>✓</td></tr> <tr><td>SA</td><td></td></tr> <tr><td>KL</td><td></td></tr> <tr><td>HP</td><td></td></tr> <tr><td>SSC</td><td></td></tr> <tr><td>SMC</td><td></td></tr> <tr><td>W</td><td></td></tr> <tr><td>Z</td><td></td></tr> <tr><td>PC</td><td></td></tr> </table>	MF	✓	SA		KL		HP		SSC		SMC		W		Z		PC	
MF	✓																						
SA																							
KL																							
HP																							
SSC																							
SMC																							
W																							
Z																							
PC																							
	<p>ACW20166 L/R</p> <p>Open In Centre Keep</p> <p>Viewed Externally</p>  <p>Right Hand Open In Left Hand Open In</p>	<p>1</p>	<p>each</p>	<p>W20125 W20148 AWC20065 ACW20067</p>	<table border="1"> <tr><td>MF</td><td>✓</td></tr> <tr><td>SA</td><td></td></tr> <tr><td>KL</td><td></td></tr> <tr><td>HP</td><td></td></tr> <tr><td>SSC</td><td></td></tr> <tr><td>SMC</td><td></td></tr> <tr><td>W</td><td></td></tr> <tr><td>Z</td><td></td></tr> <tr><td>PC</td><td></td></tr> </table>	MF	✓	SA		KL		HP		SSC		SMC		W		Z		PC	
MF	✓																						
SA																							
KL																							
HP																							
SSC																							
SMC																							
W																							
Z																							
PC																							
 <p>T-BARS ACVG66=2.5mm ACVG66=3.0mm ACVL150=4.0mm</p> <p>Screw (Grub)</p>	<p>MF = Mill Finish W = White SA = Silver Anodised Z = Black KL = Basic Colour HP = Special Colour SSC = Smooth Satin Chrome SMC = Smokey Chrome PC = Polished Chrome</p>																						


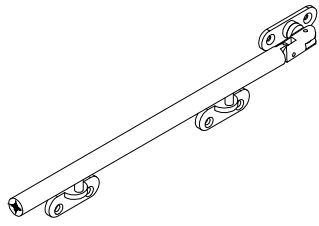
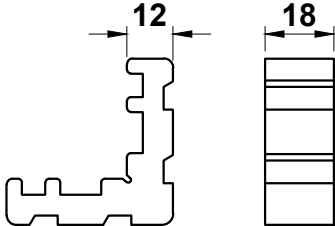
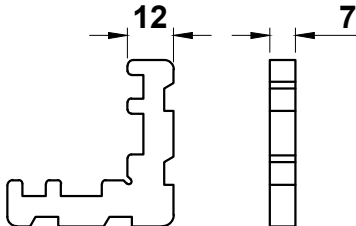
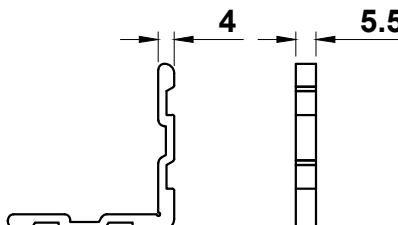


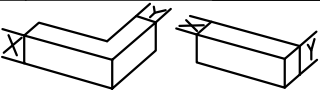
ACCESSORIES : PHOTOS & DRAWINGS

Image	Part Code	Pack	Unit	Application	Colour	
	ACW20067 Roller Keeps	4	set		MF	
					SA	
					KL	
					HP	
					SSC	
					SMC	
					W	
					Z	✓
					PC	
	ACW20073 3mm x 10mm Glazing Tape	20	m		MF	
					SA	✓
					KL	
					HP	
					SSC	
					SMC	
					W	
					Z	
					PC	
	ACW20074 4mm x 10mm Glazing Tape	15	m		MF	
					SA	✓
					KL	
					HP	
					SSC	
					SMC	
					W	
					Z	
					PC	
	ACW20100 L/R Monkey Tail Espag Handle Black or Pewter	1	each	ACW201 ACW202 ACW203 ACW204 ACW205	MF	
					SA	
					KL	
					HP	
					SSC	
					SMC	
					W	
					Z	
					PC	
	ACW20101 L/R Bulb End Espag Handle Black or Pewter	1	each	ACW201 ACW202 ACW203 ACW204 ACW205	MF	
					SA	
					KL	
					HP	
					SSC	
					SMC	
					W	
					Z	
					PC	
 	MF = Mill Finish SA = Silver Anodised KL = Basic Colour HP = Special Colour SSC = Smooth Satin Chrome SMC = Smokey Chrome PC = Polished Chrome	W = White Z = Black				

ACCESSORIES : PHOTOS & DRAWINGS

Image	Part Code	Pack	Unit	Application	Colour
	ACW20102 8" Monkey Tail Peg Stay Black or Pewter	1	each		MF
					SA
					KL
					HP
					SSC
					SMC
					W
					Z
					PC
					
SA					
KL					
HP					
SSC					
SMC					
W					
Z					
PC					
	ACW20104 12" Monkey Tail Peg Stay Black or Pewter	1	each		
					SA
					KL
					HP
					SSC
					SMC
					W
					Z
					PC
					
SA					
KL					
HP					
SSC					
SMC					
W					
Z					
PC					
	ACW20106 10" Bulb End Peg Stay Black or Pewter	1	each		
					SA
					KL
					HP
					SSC
					SMC
					W
					Z
					PC
					 T-BARS ACVG665=2.5mm ACVG666=3.0mm ACVL150=4.0mm

ACCESSORIES : PHOTOS & DRAWINGS

Image	Part Code	Pack	Unit	Application	Colour
	ACW20107 12" Bulb End Peg Stay Black or Pewter	1	each		MF SA KL HP SSC SMC W Z PC
	ACW20108 Stainless Steel Peg Stay	1	each		MF SA KL HP SSC SMC W Z PC
	ACW20110 Crimping Cleat	24	pack	W20110	MF ✓ SA KL HP SSC SMC W Z PC
	ACW20115 Crimping Cleat	24	pack	W20126	MF ✓ SA KL HP SSC SMC W Z PC
	ACW20116 Crimping Cleat	24	pack	W20126	MF ✓ SA KL HP SSC SMC W Z PC
 <p>T-BARS ACVG65=2.5mm ACVG66=3.0mm ACVL150=4.0mm</p>  <p>Screw (Grub)</p>	MF = Mill Finish SA = Silver Anodised KL = Basic Colour HP = Special Colour SSC = Smooth Satin Chrome SMC = Smokey Chrome PC = Polished Chrome	W = White Z = Black			

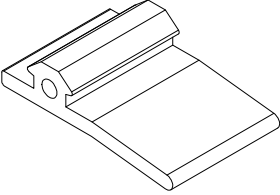
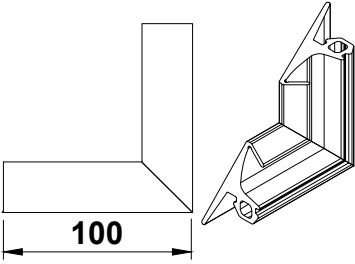
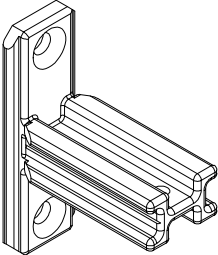
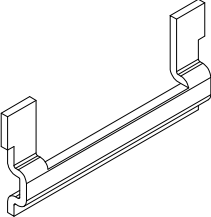
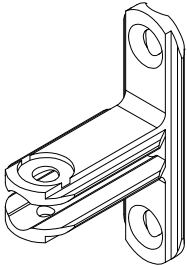


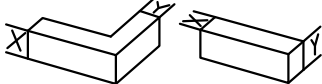
ACCESSORIES : PHOTOS & DRAWINGS

Image	Part Code	Pack	Unit	Application	Colour																		
	ACW20117 Crimping Cleat	24	pack	W20017 W20112	<table border="1"> <tr><td>MF</td><td>✓</td></tr> <tr><td>SA</td><td></td></tr> <tr><td>KL</td><td></td></tr> <tr><td>HP</td><td></td></tr> <tr><td>SSC</td><td></td></tr> <tr><td>SMC</td><td></td></tr> <tr><td>W</td><td></td></tr> <tr><td>Z</td><td></td></tr> <tr><td>PC</td><td></td></tr> </table>	MF	✓	SA		KL		HP		SSC		SMC		W		Z		PC	
MF	✓																						
SA																							
KL																							
HP																							
SSC																							
SMC																							
W																							
Z																							
PC																							
	ACW20120 Crimping Cleat	24	pack	W20120	<table border="1"> <tr><td>MF</td><td>✓</td></tr> <tr><td>SA</td><td></td></tr> <tr><td>KL</td><td></td></tr> <tr><td>HP</td><td></td></tr> <tr><td>SSC</td><td></td></tr> <tr><td>SMC</td><td></td></tr> <tr><td>W</td><td></td></tr> <tr><td>Z</td><td></td></tr> <tr><td>PC</td><td></td></tr> </table>	MF	✓	SA		KL		HP		SSC		SMC		W		Z		PC	
MF	✓																						
SA																							
KL																							
HP																							
SSC																							
SMC																							
W																							
Z																							
PC																							
	ACW20122 Crimping Cleat	24	pack	W20122	<table border="1"> <tr><td>MF</td><td>✓</td></tr> <tr><td>SA</td><td></td></tr> <tr><td>KL</td><td></td></tr> <tr><td>HP</td><td></td></tr> <tr><td>SSC</td><td></td></tr> <tr><td>SMC</td><td></td></tr> <tr><td>W</td><td></td></tr> <tr><td>Z</td><td></td></tr> <tr><td>PC</td><td></td></tr> </table>	MF	✓	SA		KL		HP		SSC		SMC		W		Z		PC	
MF	✓																						
SA																							
KL																							
HP																							
SSC																							
SMC																							
W																							
Z																							
PC																							
	ACW20124N Crimping Cleat	24	pack	W20120	<table border="1"> <tr><td>MF</td><td>✓</td></tr> <tr><td>SA</td><td></td></tr> <tr><td>KL</td><td></td></tr> <tr><td>HP</td><td></td></tr> <tr><td>SSC</td><td></td></tr> <tr><td>SMC</td><td></td></tr> <tr><td>W</td><td></td></tr> <tr><td>Z</td><td></td></tr> <tr><td>PC</td><td></td></tr> </table>	MF	✓	SA		KL		HP		SSC		SMC		W		Z		PC	
MF	✓																						
SA																							
KL																							
HP																							
SSC																							
SMC																							
W																							
Z																							
PC																							
	ACW20125 Crimping Cleat	24	pack	W20125N	<table border="1"> <tr><td>MF</td><td>✓</td></tr> <tr><td>SA</td><td></td></tr> <tr><td>KL</td><td></td></tr> <tr><td>HP</td><td></td></tr> <tr><td>SSC</td><td></td></tr> <tr><td>SMC</td><td></td></tr> <tr><td>W</td><td></td></tr> <tr><td>Z</td><td></td></tr> <tr><td>PC</td><td></td></tr> </table>	MF	✓	SA		KL		HP		SSC		SMC		W		Z		PC	
MF	✓																						
SA																							
KL																							
HP																							
SSC																							
SMC																							
W																							
Z																							
PC																							
<p>T-BARS ACVG65=2.5mm ACVG66=3.0mm ACVL150=4.0mm</p> <p>Screw (Grub)</p>	MF = Mill Finish SA = Silver Anodised KL = Basic Colour HP = Special Colour SSC = Smooth Satin Chrome SMC = Smokey Chrome PC = Polished Chrome	W = White Z = Black																					

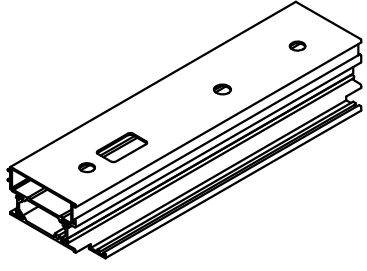
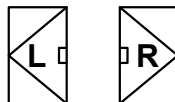
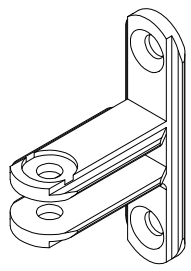
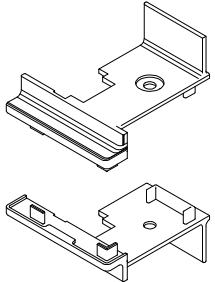
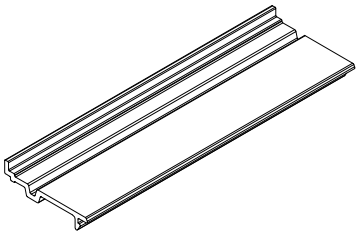
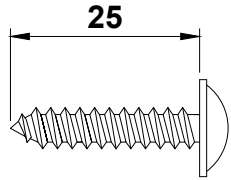
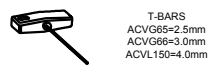

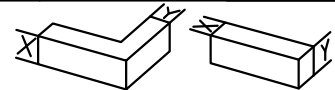
ACCESSORIES : PHOTOS & DRAWINGS

Image	Part Code	Pack	Unit	Application	Colour	
	ACW20126 Crimping Cleat	24	pack	W20125N	MF	✓
					SA	
					KL	
					HP	
					SSC	
					SMC	
					W	
					Z	
					PC	
						ACW20127 Crimping Cleat
SA						
KL						
HP						
SSC						
SMC						
W						
Z						
PC						
	ACW20128 24mm Handle Fixing Block	1	each	W20027 W20127		
					SA	
					KL	
					HP	
					SSC	
					SMC	
					W	
					Z	
					PC	
						ACW20129 28mm Handle Fixing Block
SA						
KL						
HP						
SSC						
SMC						
W						
Z						
PC						
	ACW20130 Central Gasket	100	m	W20110 W20130 ACW20133		
					SA	
					KL	
					HP	
					SSC	
					SMC	
					W	
					Z	✓
					PC	
						MF = Mill Finish SA = Silver Anodised KL = Basic Colour HP = Special Colour SSC = Smooth Satin Chrome SMC = Smokey Chrome PC = Polished Chrome

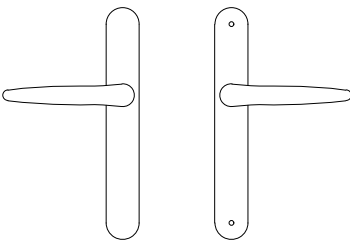

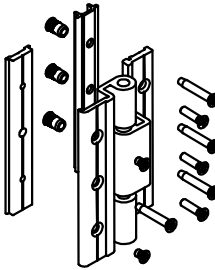

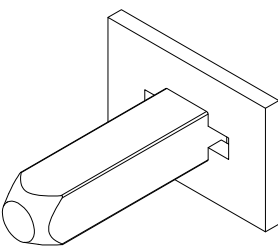

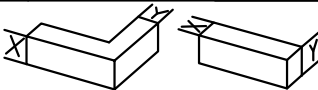
ACCESSORIES : PHOTOS & DRAWINGS

Image	Part Code	Pack	Unit	Application	Colour
	ACW20131 Outer Frame External Gasket	100	m	W20110 W20130	MF SA KL HP SSC SMC W Z ✓ PC
	ACW20133 Corner Moulding to suit ACW20130	12	pack	W20110 W20130 ACW20130	MF SA KL HP SSC SMC W Z ✓ PC
	ACW20135 Cruciform Bracket	10	pack	W20130	MF ✓ SA KL HP SSC SMC W Z PC
	ACW20136 Transom/Mullion Anti-Twist Clip	100	pack	W20130	MF ✓ SA KL HP SSC SMC W Z PC
	ACW20137 Transom Bracket	24	pack	W20018 W20037 W20137	MF ✓ SA KL HP SSC SMC W Z PC
 <p>T-BARS ACVG65=2.5mm ACVG66=3.0mm ACVL150=4.0mm</p>  <p>Screw (Grub)</p>	MF = Mill Finish SA = Silver Anodised KL = Basic Colour HP = Special Colour SSC = Smooth Satin Chrome SMC = Smokey Chrome PC = Polished Chrome	W = White Z = Black			

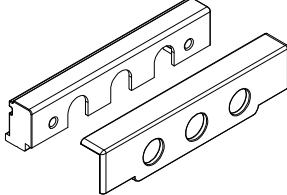
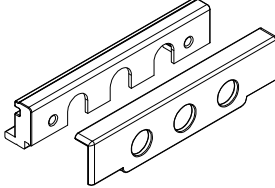
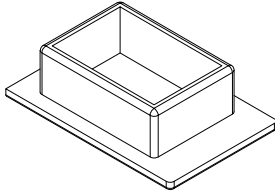
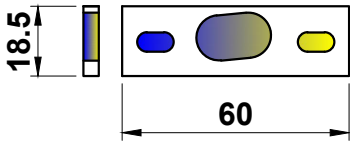
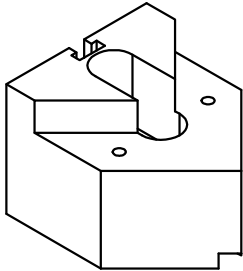



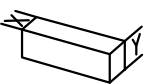
ACCESSORIES : PHOTOS & DRAWINGS

Image	Part Code	Pack	Unit	Application	Colour	
	ACW20138 L/R 285mm Pre Prepared Lock Casing Open In & Open Out 	1	each		MF	✓
					SA	✓
					KL	✓
					HP	✓
					SSC	
					SMC	
					W	✓
					Z	✓
					PC	
	ACW20139 Transom Bracket	24	pack	W200135	MF	✓
					SA	
					KL	
					HP	
					SSC	
					SMC	
					W	
					Z	
					PC	
	ACW20148 End Caps (10 Pairs Per Pack)	10	pair	W20148	MF	
					SA	
					KL	
					HP	
					SSC	
					SMC	
					W	
					Z	✓
					PC	
	ACW20157 Bridge Packer	100	pack	W20110 W20120 W20130	MF	
					SA	
					KL	
					HP	
					SSC	
					SMC	
					W	
					Z	✓
					PC	
	ACW20160 No.12 x 1" Pozi Flange Stainless Steel Self Tapper	100	pack	W20015	MF	✓
					SA	
					KL	
					HP	
					SSC	
					SMC	
					W	
					Z	
					PC	
 	MF = Mill Finish SA = Silver Anodised KL = Basic Colour HP = Special Colour SSC = Smooth Satin Chrome SMC = Smokey Chrome PC = Polished Chrome	W = White Z = Black				

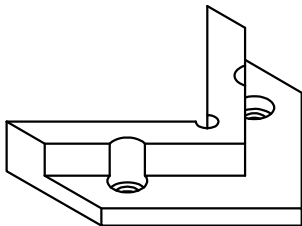
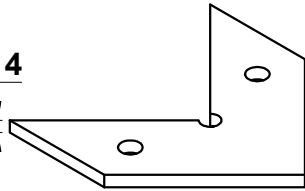
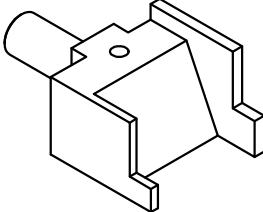
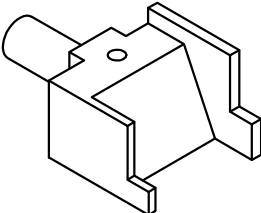
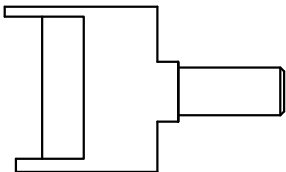


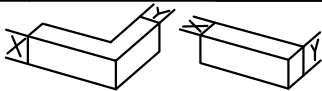
ACCESSORIES : PHOTOS & DRAWINGS

Image	Part Code	Pack	Unit	Application	Colour	
	ACW20161 Lever Handle No Cylinder	1	pair		MF	✓
					SA	
					KL	
					HP	
					SSC	
					SMC	
					W	✓
					Z	✓
					PC	✓
	ACW20162 Open In Hinge Adaptor	12	pack		MF	
					SA	
					KL	
					HP	
					SSC	
					SMC	
					W	
					Z	
					PC	
	ACW20164 Open In Hinge Kit	1	each	W20125	MF	
					SA	
					KL	✓
					HP	
					SSC	
					SMC	
					W	✓
					Z	✓
					PC	
	ACW20165 L/R Art Deco Espag Handle Antique Brass & Satin Nickle Plate	1	each		MF	
					SA	
					KL	
					HP	
					SSC	
					SMC	
					W	
					Z	
					PC	
	ACW20168 Fixed Lever Block	1	each	ACW20161	MF	✓
					SA	
					KL	
					HP	
					SSC	
					SMC	
					W	
					Z	
					PC	
 <small>T-BARS ACVG665=2.5mm ACVG666=3.0mm ACVL150=4.0mm</small>	MF = Mill Finish SA = Silver Anodised KL = Basic Colour HP = Special Colour SSC = Smooth Satin Chrome SMC = Smokey Chrome PC = Polished Chrome	W = White Z = Black				


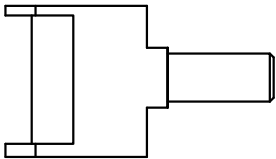

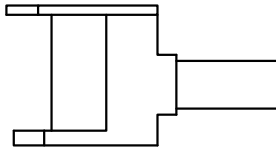



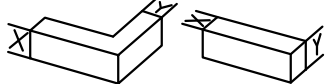
ACCESSORIES : PHOTOS & DRAWINGS

Image	Part Code	Pack	Unit	Application	Colour	
	ACW20228 24mm Handle Fixing Block 2 piece	1	each	W20168	MF	✓
					SA	
					KL	✓
					HP	
					SSC	
					SMC	
					W	✓
					Z	✓
					PC	
	ACW20229 28mm Handle Fixing Block 2 piece	1	each	W20171	MF	✓
					SA	
					KL	✓
					HP	
					SSC	
					SMC	
					W	✓
					Z	✓
					PC	
	ACW20239 End Cap for W20139	20	pack	W20139	MF	
					SA	
					KL	
					HP	
					SSC	
					SMC	
					W	✓
					Z	✓
					PC	
	ACW20432 Shootbolt Keep	2	pack	W20015 ACVL432	MF	
					SA	
					KL	
					HP	
					SSC	
					SMC	
					W	
					Z	
					PC	
	ACW906 Vee Block	1	each	W20024 W20025 W20026 W20027 W20028 W20029 W20127 W20047 W20120 W20125N W20145 W20147	MF	✓
					SA	
					KL	
					HP	
					SSC	
					SMC	
					W	
					Z	
					PC	
 T-BARS ACVG66=2.5mm ACVG66=3.0mm ACVL150=4.0mm	 Screw (Grub)	MF = Mill Finish SA = Silver Anodised KL = Basic Colour HP = Special Colour SSC = Smooth Satin Chrome SMC = Smokey Chrome PC = Polished Chrome	W = White Z = Black	 		

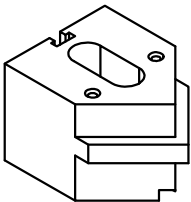
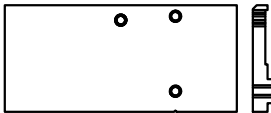
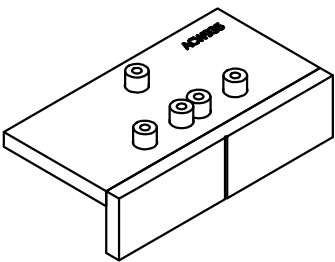
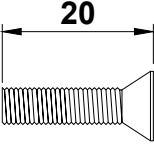


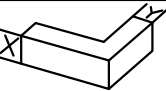
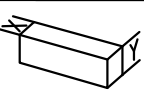
ACCESSORIES : PHOTOS & DRAWINGS

Image	Part Code	Pack	Unit	Application	Colour
	ACW907 5.6mm Tufnel Packer	1	each	W20015 W20016 W20024 W20025 W20047 W20120 W20125N W20127 W20145 W20147	MF <input checked="" type="checkbox"/> SA <input type="checkbox"/> KL <input type="checkbox"/> HP <input type="checkbox"/> SSC <input type="checkbox"/> SMC <input type="checkbox"/> W <input type="checkbox"/> Z <input type="checkbox"/> PC <input type="checkbox"/>
	ACW908 4mm Packer	1	each	W20026 W20028 W20047 W20145	MF <input checked="" type="checkbox"/> SA <input type="checkbox"/> KL <input type="checkbox"/> HP <input type="checkbox"/> SSC <input type="checkbox"/> SMC <input type="checkbox"/> W <input type="checkbox"/> Z <input type="checkbox"/> PC <input type="checkbox"/>
	ACW909 Punches	1	pair	W20024 W20025 W20026 W20028 W20029	MF <input checked="" type="checkbox"/> SA <input type="checkbox"/> KL <input type="checkbox"/> HP <input type="checkbox"/> SSC <input type="checkbox"/> SMC <input type="checkbox"/> W <input type="checkbox"/> Z <input type="checkbox"/> PC <input type="checkbox"/>
	ACW910N Punches	1	pair	W20027 W20127	MF <input checked="" type="checkbox"/> SA <input type="checkbox"/> KL <input type="checkbox"/> HP <input type="checkbox"/> SSC <input type="checkbox"/> SMC <input type="checkbox"/> W <input type="checkbox"/> Z <input type="checkbox"/> PC <input type="checkbox"/>
	ACW914 Punches	1	pair	W20125	MF <input checked="" type="checkbox"/> SA <input type="checkbox"/> KL <input type="checkbox"/> HP <input type="checkbox"/> SSC <input type="checkbox"/> SMC <input type="checkbox"/> W <input type="checkbox"/> Z <input type="checkbox"/> PC <input type="checkbox"/>
 <p>T-BARS ACVG66=2.5mm ACVG66=3.0mm ACVL150=4.0mm</p>  <p>Screw (Grub)</p>	<p>MF = Mill Finish SA = Silver Anodised KL = Basic Colour HP = Special Colour SSC = Smooth Satin Chrome SMC = Smokey Chrome PC = Polished Chrome</p>	<p>W = White Z = Black</p>			

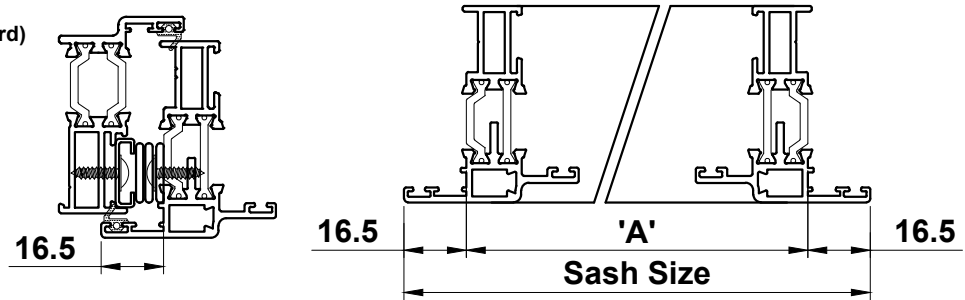
ACCESSORIES : PHOTOS & DRAWINGS

Image	Part Code	Pack	Unit	Application	Colour	
	ACW916 Support Packer	1	each	W20017	MF	✓
					SA	
					KL	
					HP	
					SSC	
					SMC	
					W	
					Z	
					PC	
	ACW917 Punches	1	pair	W20122	MF	✓
					SA	
					KL	
					HP	
					SSC	
					SMC	
					W	
					Z	
					PC	
	ACW918 Vee Block	1	each	W20018	MF	✓
					SA	
					KL	
					HP	
					SSC	
					SMC	
					W	
					Z	
					PC	
	ACW919 Punches	1	pair	W20120 W20145	MF	✓
					SA	
					KL	
					HP	
					SSC	
					SMC	
					W	
					Z	
					PC	
	ACW921 Punches	1	pair	W20126	MF	✓
					SA	
					KL	
					HP	
					SSC	
					SMC	
					W	
					Z	
					PC	
 <p>T-BARS ACVG66=2.5mm ACVG66=3.0mm ACVL150=4.0mm</p>  <p>Screw (Grub)</p>	<p>MF = Mill Finish SA = Silver Anodised KL = Basic Colour HP = Special Colour SSC = Smooth Satin Chrome SMC = Smokey Chrome PC = Polished Chrome</p>	<p>W = White Z = Black</p>				

ACCESSORIES : PHOTOS & DRAWINGS

Image	Part Code	Pack	Unit	Application	Colour																		
	ACW922 Vee Block	1	each	W20110	<table border="1"> <tr><td>MF</td><td>✓</td></tr> <tr><td>SA</td><td></td></tr> <tr><td>KL</td><td></td></tr> <tr><td>HP</td><td></td></tr> <tr><td>SSC</td><td></td></tr> <tr><td>SMC</td><td></td></tr> <tr><td>W</td><td></td></tr> <tr><td>Z</td><td></td></tr> <tr><td>PC</td><td></td></tr> </table>	MF	✓	SA		KL		HP		SSC		SMC		W		Z		PC	
MF	✓																						
SA																							
KL																							
HP																							
SSC																							
SMC																							
W																							
Z																							
PC																							
	ACW925 Door Drill Jig (Must be clamped in position)	1	each	W20037 W20038 W20137 W20138	<table border="1"> <tr><td>MF</td><td>✓</td></tr> <tr><td>SA</td><td></td></tr> <tr><td>KL</td><td></td></tr> <tr><td>HP</td><td></td></tr> <tr><td>SSC</td><td></td></tr> <tr><td>SMC</td><td></td></tr> <tr><td>W</td><td></td></tr> <tr><td>Z</td><td></td></tr> <tr><td>PC</td><td></td></tr> </table>	MF	✓	SA		KL		HP		SSC		SMC		W		Z		PC	
MF	✓																						
SA																							
KL																							
HP																							
SSC																							
SMC																							
W																							
Z																							
PC																							
	ACW935 Transom Drill Jig	1	each	ACW20135 W20130	<table border="1"> <tr><td>MF</td><td>✓</td></tr> <tr><td>SA</td><td></td></tr> <tr><td>KL</td><td></td></tr> <tr><td>HP</td><td></td></tr> <tr><td>SSC</td><td></td></tr> <tr><td>SMC</td><td></td></tr> <tr><td>W</td><td></td></tr> <tr><td>Z</td><td></td></tr> <tr><td>PC</td><td></td></tr> </table>	MF	✓	SA		KL		HP		SSC		SMC		W		Z		PC	
MF	✓																						
SA																							
KL																							
HP																							
SSC																							
SMC																							
W																							
Z																							
PC																							
	WCA134 Stainless M5 x 20mm Pozi Csk Machine Screw	100	pack	ACW20028 ACW20029 ACW20128 ACW20129	<table border="1"> <tr><td>MF</td><td>✓</td></tr> <tr><td>SA</td><td></td></tr> <tr><td>KL</td><td></td></tr> <tr><td>HP</td><td></td></tr> <tr><td>SSC</td><td></td></tr> <tr><td>SMC</td><td></td></tr> <tr><td>W</td><td></td></tr> <tr><td>Z</td><td></td></tr> <tr><td>PC</td><td></td></tr> </table>	MF	✓	SA		KL		HP		SSC		SMC		W		Z		PC	
MF	✓																						
SA																							
KL																							
HP																							
SSC																							
SMC																							
W																							
Z																							
PC																							
					<table border="1"> <tr><td>MF</td><td></td></tr> <tr><td>SA</td><td></td></tr> <tr><td>KL</td><td></td></tr> <tr><td>HP</td><td></td></tr> <tr><td>SSC</td><td></td></tr> <tr><td>SMC</td><td></td></tr> <tr><td>W</td><td></td></tr> <tr><td>Z</td><td></td></tr> <tr><td>PC</td><td></td></tr> </table>	MF		SA		KL		HP		SSC		SMC		W		Z		PC	
MF																							
SA																							
KL																							
HP																							
SSC																							
SMC																							
W																							
Z																							
PC																							
 <p>T-BARS ACVG66=2.5mm ACVG66=3.0mm ACVL150=4.0mm</p>  <p>Screw (Grub)</p>	<p>MF = Mill Finish SA = Silver Anodised KL = Basic Colour HP = Special Colour SSC = Smooth Satin Chrome SMC = Smokey Chrome PC = Polished Chrome</p>	<p>W = White Z = Black</p>	 																				

Friction Hinge Stays
13mm Stack (Standard)



Top Hung Windows

Top Hung	Type of Hinge / Stay	Max. Vent	Height ('A')		Opening Angle (+/- 2.5°)
		Weight (kgs)	Minimum	Maximum	
ACINDS10	Standard	16	275	400	80°
ACINDS16		21	400	780	80°
ACINDS20		20	700	1100	50°
ACINDS24		40	850	1300	37.5°
ACINDP24		50	850	1500	32°
ACINDA10	Austenitic	16	275	400	80°
ACINDA16		21	400	780	80°
ACINDA20		20	700	1100	50°
ACINDA24		40	850	1300	37.5°
ACINDR12	Restricted	20	350	550	14°/65°
ACINDR16		21	500	780	10°/59°
ACINDR20		26	700	1100	8°/50°
ACINDR24		40	850	1300	7°/37.5°

Side Hung Windows

Side Hung	Type of Hinge / Stay	Max. Vent	Width ('A')		Opening Angle (+/- 2.5°)
		Weight (kgs)	Minimum	Maximum	
ACINDSSH12	Standard	22	300	600	60°
ACINDSSH16		28	400	600	60°
ACINDASH12	Austenitic	22	300	600	60°
ACINDASH16		28	400	600	60°
ACINDRSH12	Restricted	22	300	600	13°/58°
ACINDRSH16		24	400	600	11°/58°
ACETME13	Egress <small>*use with ACET352 pull in blocks</small>	40	365	865	90°

Note1: Vent Height / Width is measured in mm from rebate to rebate (not overall size or outer frame)

Note2: Top hung height and side hung width sizes to be reduced by 2mm where size is 450mm or smaller

Note3: Typical Dimensions based on Max. Size and Glass 30kg/metre

Note4: For additional security use ACET513 hinge protectors

Note5: Kitemark specification covers Top Hung Max. height up to 1400mm. ACINDP24 Max. height is 1500mm



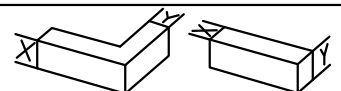
T-BARS
ACVG66=2.5mm
ACVG66=3.0mm
ACVL150=4.0mm

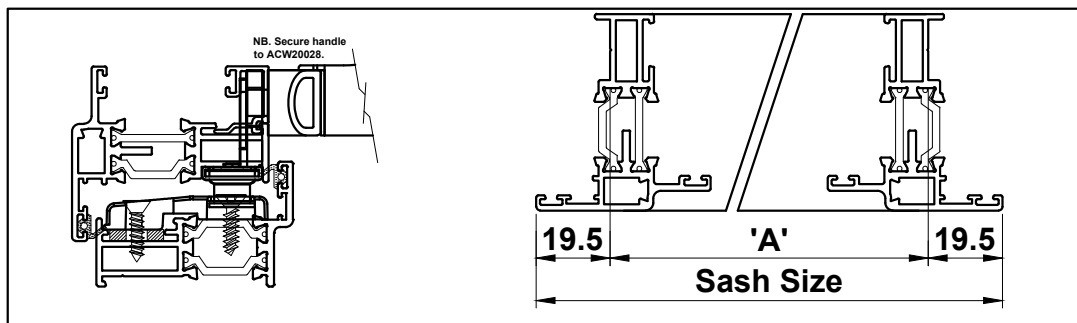


Screw (Grub)

MF = Mill Finish
SA = Silver Anodised
KL = Basic Colour
HP = Special Colour
SSC = Smooth Satin Chrome
SMC = Smokey Chrome
PC = Polished Chrome

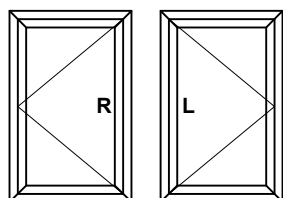
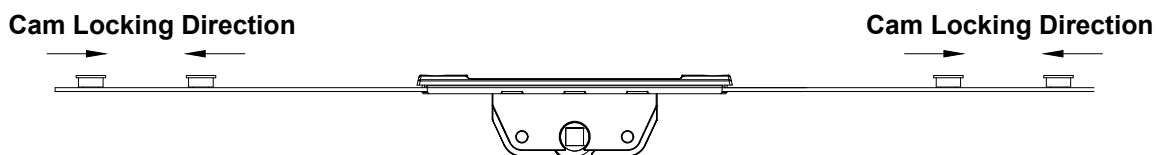
W = White
Z = Black



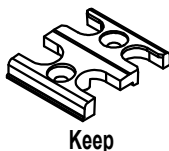


Part Code	Rod Length (mm)	Number of Keeps	Sash Rebate Size ('A')	
			Minimum	Maximum
ACW201L	335	2	340	505
ACW201R				
ACW202L	500	2	506	755
ACW202R				
ACW203L	750	2	756	1005
ACW203R				
ACW204L	1000	4	1006	1255
ACW204R				
ACW205L	1250	4	1256	1400
ACW205R				

Note: 1, To Suit Handle ACET165
2, Not suitable for W20122



OUTSIDE VIEW



Keep



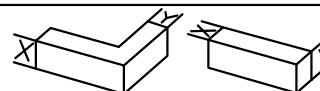
T-BARS
ACVG66=2.5mm
ACVG66=3.0mm
ACVL150=4.0mm



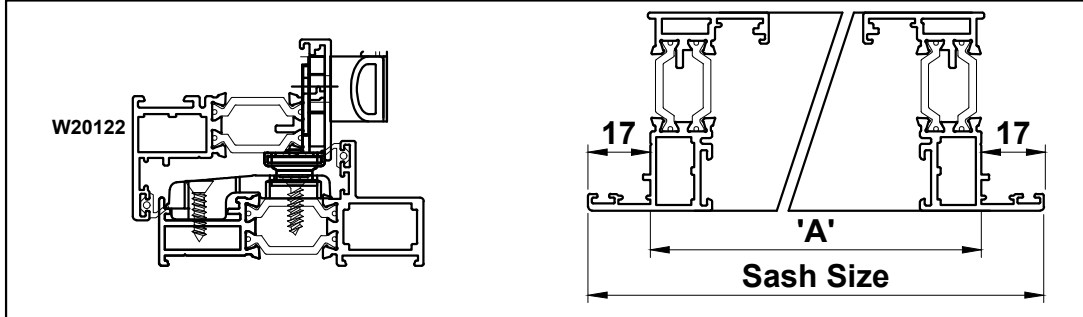
Screw (Grub)

MF = Mill Finish
SA = Silver Anodised
KL = Basic Colour
HP = Special Colour
SSC = Smooth Satin Chrome
SMC = Smokey Chrome
PC = Polished Chrome

W = White
Z = Black

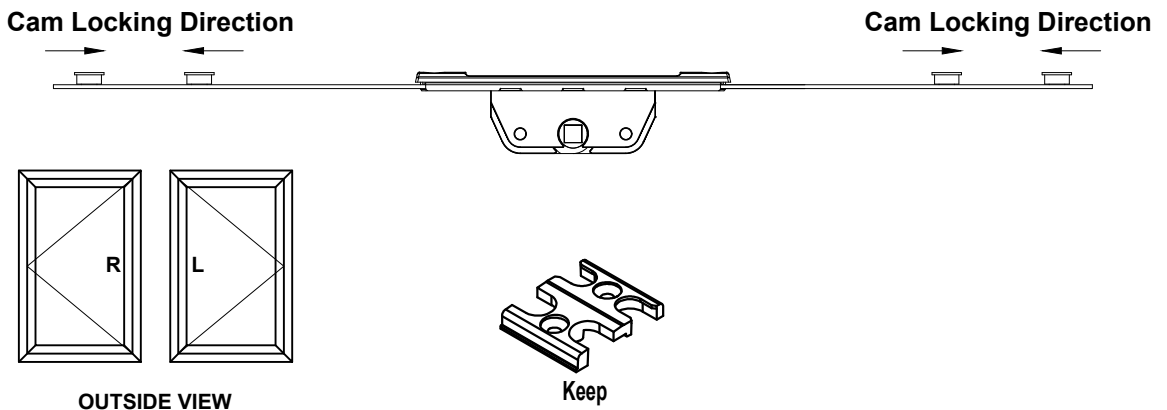


W20122 Lock Options



Part Code	Rod Length (mm)	Number of Keeps	Sash Rebate Size ('A')	
			Minimum	Maximum
ACET301L	335	2	340	505
ACET301R				
ACET302L	500	2	506	755
ACET302R				
ACET303L	750	2	756	1005
ACET303R				
ACET304L	1000	4	1006	1255
ACET304R				
ACET305L	1250	4	1256	1400
ACET305R				

Note: To Suit Handle ACET165



T-BARS
ACVG66=2.5mm
ACVG66=3.0mm
ACVL150=4.0mm



Screw (Grub)

MF = Mill Finish
SA = Silver Anodised
KL = Basic Colour
HP = Special Colour
SSC = Smooth Satin Chrome
SMC = Smokey Chrome
PC = Polished Chrome

W = White
Z = Black

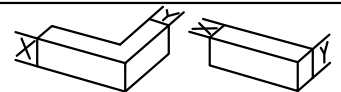


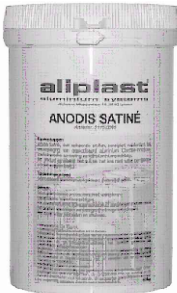


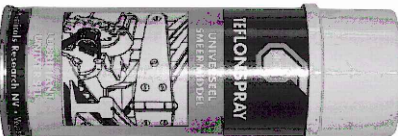



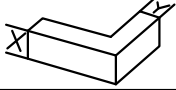

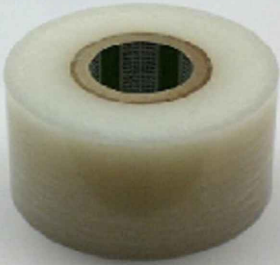
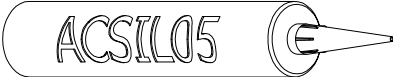





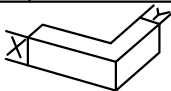
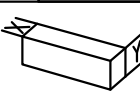



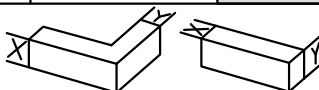
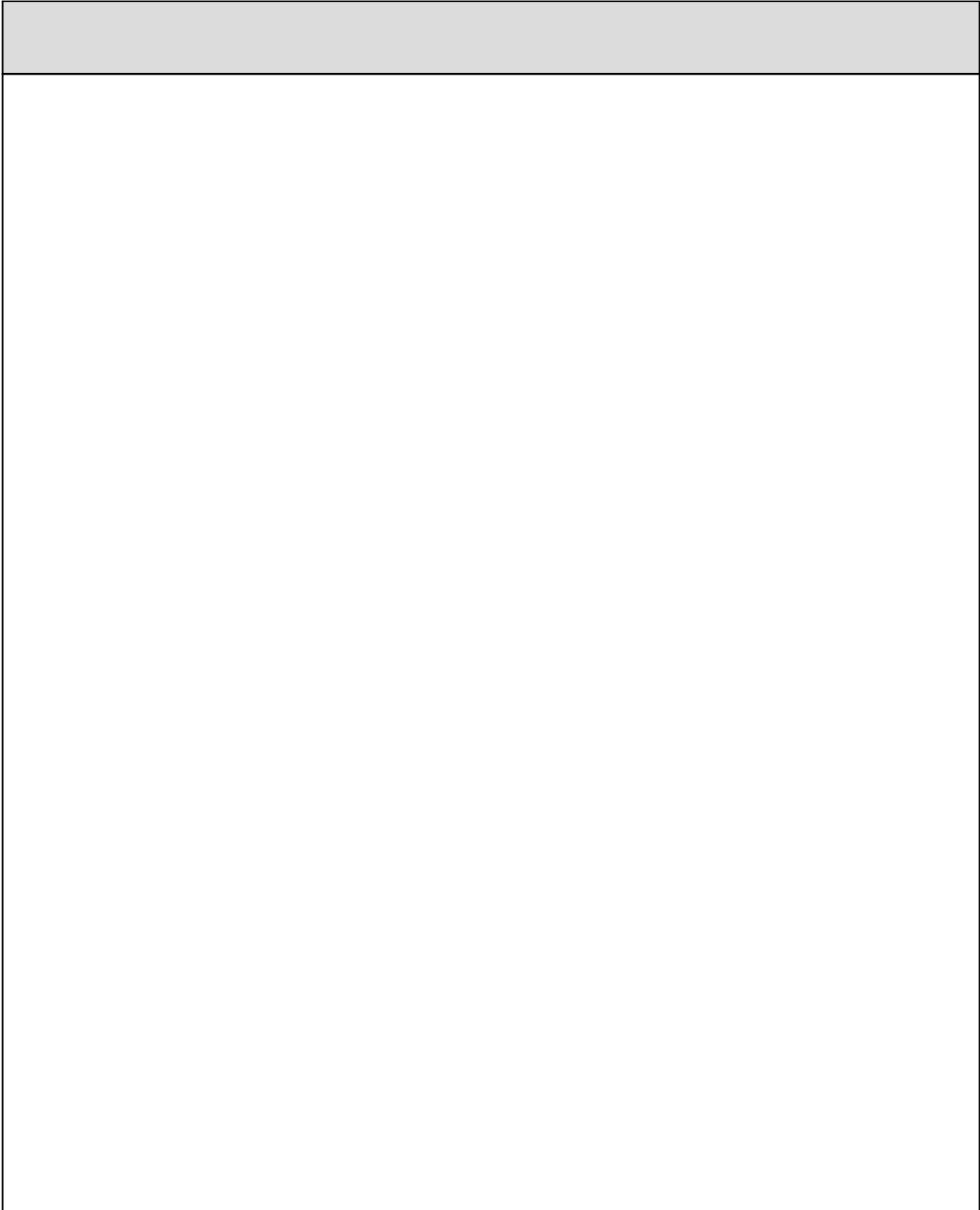
Image	Part Code	Pack	Unit	Application	Colour																		
	ACMX09700 Alu-Polish Cleaning emulsion for aluminium oxide.	1	each		<table border="1"> <tr><td>MF</td><td>✓</td></tr> <tr><td>SA</td><td></td></tr> <tr><td>KL</td><td></td></tr> <tr><td>HP</td><td></td></tr> <tr><td>SSC</td><td></td></tr> <tr><td>SMC</td><td></td></tr> <tr><td>W</td><td></td></tr> <tr><td>Z</td><td></td></tr> <tr><td>PC</td><td></td></tr> </table>	MF	✓	SA		KL		HP		SSC		SMC		W		Z		PC	
MF	✓																						
SA																							
KL																							
HP																							
SSC																							
SMC																							
W																							
Z																							
PC																							
	ACMX09761 Maxi Gloss Protection for painted and anodised surfaces.	1	each		<table border="1"> <tr><td>MF</td><td></td></tr> <tr><td>SA</td><td></td></tr> <tr><td>KL</td><td></td></tr> <tr><td>HP</td><td></td></tr> <tr><td>SSC</td><td></td></tr> <tr><td>SMC</td><td></td></tr> <tr><td>W</td><td></td></tr> <tr><td>Z</td><td></td></tr> <tr><td>PC</td><td></td></tr> </table>	MF		SA		KL		HP		SSC		SMC		W		Z		PC	
MF																							
SA																							
KL																							
HP																							
SSC																							
SMC																							
W																							
Z																							
PC																							
	ACMX09762 Alu. Bright Cleaner for rough, anodised or enamelled aluminium frames.	1	each		<table border="1"> <tr><td>MF</td><td></td></tr> <tr><td>SA</td><td></td></tr> <tr><td>KL</td><td></td></tr> <tr><td>HP</td><td></td></tr> <tr><td>SSC</td><td></td></tr> <tr><td>SMC</td><td></td></tr> <tr><td>W</td><td></td></tr> <tr><td>Z</td><td></td></tr> <tr><td>PC</td><td></td></tr> </table>	MF		SA		KL		HP		SSC		SMC		W		Z		PC	
MF																							
SA																							
KL																							
HP																							
SSC																							
SMC																							
W																							
Z																							
PC																							
	ACMX09763 Teflon Spray Lubricant	1	each		<table border="1"> <tr><td>MF</td><td></td></tr> <tr><td>SA</td><td></td></tr> <tr><td>KL</td><td></td></tr> <tr><td>HP</td><td></td></tr> <tr><td>SSC</td><td></td></tr> <tr><td>SMC</td><td></td></tr> <tr><td>W</td><td></td></tr> <tr><td>Z</td><td></td></tr> <tr><td>PC</td><td></td></tr> </table>	MF		SA		KL		HP		SSC		SMC		W		Z		PC	
MF																							
SA																							
KL																							
HP																							
SSC																							
SMC																							
W																							
Z																							
PC																							
	ACMX09764 Maxi Cleaner For cleaning oily surfaces.	1	each		<table border="1"> <tr><td>MF</td><td></td></tr> <tr><td>SA</td><td></td></tr> <tr><td>KL</td><td></td></tr> <tr><td>HP</td><td></td></tr> <tr><td>SSC</td><td></td></tr> <tr><td>SMC</td><td></td></tr> <tr><td>W</td><td></td></tr> <tr><td>Z</td><td></td></tr> <tr><td>PC</td><td></td></tr> </table>	MF		SA		KL		HP		SSC		SMC		W		Z		PC	
MF																							
SA																							
KL																							
HP																							
SSC																							
SMC																							
W																							
Z																							
PC																							
 T-BARS ACVG66=2.5mm ACVG66=3.0mm ACVL150=4.0mm  Screw (Grub)	MF = Mill Finish SA = Silver Anodised KL = Basic Colour HP = Special Colour SSC = Smooth Satin Chrome SMC = Smokey Chrome PC = Polished Chrome W = White Z = Black	 																					

Image	Part Code	Pack	Unit	Application	Colour
	ACMX09765 Glue Cleaner De-grease and silicone remover.	1	each		MF
					SA
					KL
					HP
					SSC
					SMC
					W
					Z
					PC
	ACMX09770 Roll & Wrap 100mm	1	each		MF
					SA
					KL
					HP
					SSC
					SMC
					W
					Z
					PC
	ACMX09775 Grip Handwrap	1	each		MF
					SA
					KL
					HP
					SSC
					SMC
					W
					Z
					PC
	ACMX09801 Protective Tape 50mm	1	each		MF
					SA
					KL
					HP
					SSC
					SMC
					W
					Z
					PC
	ACMX09802 Protective Tape 70mm	1	each		MF
					SA
					KL
					HP
					SSC
					SMC
					W
					Z
					PC
 T-BARS ACVG65=2.5mm ACVG66=3.0mm ACVL150=4.0mm	 Screw (Grub)	MF = Mill Finish SA = Silver Anodised KL = Basic Colour HP = Special Colour SSC = Smooth Satin Chrome SMC = Smokey Chrome PC = Polished Chrome	W = White Z = Black	 	

Image	Part Code	Pack	Unit	Application	Colour																		
	ACMX09803 Protective Tape 100mm	1	each		<table border="1"> <tr><td>MF</td><td></td></tr> <tr><td>SA</td><td></td></tr> <tr><td>KL</td><td></td></tr> <tr><td>HP</td><td></td></tr> <tr><td>SSC</td><td></td></tr> <tr><td>SMC</td><td></td></tr> <tr><td>W</td><td></td></tr> <tr><td>Z</td><td></td></tr> <tr><td>PC</td><td></td></tr> </table>	MF		SA		KL		HP		SSC		SMC		W		Z		PC	
MF																							
SA																							
KL																							
HP																							
SSC																							
SMC																							
W																							
Z																							
PC																							
	ACSIL05 Rubber Sealant	1	each		<table border="1"> <tr><td>MF</td><td></td></tr> <tr><td>SA</td><td></td></tr> <tr><td>KL</td><td></td></tr> <tr><td>HP</td><td></td></tr> <tr><td>SSC</td><td></td></tr> <tr><td>SMC</td><td></td></tr> <tr><td>W</td><td></td></tr> <tr><td>Z</td><td></td></tr> <tr><td>PC</td><td></td></tr> </table>	MF		SA		KL		HP		SSC		SMC		W		Z		PC	
MF																							
SA																							
KL																							
HP																							
SSC																							
SMC																							
W																							
Z																							
PC																							
	ACSIL04 Sealing Glue Order with suffix of KL colour (eg.ACSIL04KL005) or BL=Black/WP=White/ CL=Clear	1	each		<table border="1"> <tr><td>MF</td><td></td></tr> <tr><td>SA</td><td></td></tr> <tr><td>KL</td><td>✓</td></tr> <tr><td>HP</td><td></td></tr> <tr><td>SSC</td><td></td></tr> <tr><td>SMC</td><td></td></tr> <tr><td>W</td><td>✓</td></tr> <tr><td>Z</td><td>✓</td></tr> <tr><td>PC</td><td></td></tr> </table>	MF		SA		KL	✓	HP		SSC		SMC		W	✓	Z	✓	PC	
MF																							
SA																							
KL	✓																						
HP																							
SSC																							
SMC																							
W	✓																						
Z	✓																						
PC																							
	ACSIL08 Silicon Gun	1	each		<table border="1"> <tr><td>MF</td><td></td></tr> <tr><td>SA</td><td></td></tr> <tr><td>KL</td><td></td></tr> <tr><td>HP</td><td></td></tr> <tr><td>SSC</td><td></td></tr> <tr><td>SMC</td><td></td></tr> <tr><td>W</td><td></td></tr> <tr><td>Z</td><td></td></tr> <tr><td>PC</td><td></td></tr> </table>	MF		SA		KL		HP		SSC		SMC		W		Z		PC	
MF																							
SA																							
KL																							
HP																							
SSC																							
SMC																							
W																							
Z																							
PC																							
	ACSIL013 Glue for Mitre	1	each		<table border="1"> <tr><td>MF</td><td></td></tr> <tr><td>SA</td><td></td></tr> <tr><td>KL</td><td></td></tr> <tr><td>HP</td><td></td></tr> <tr><td>SSC</td><td></td></tr> <tr><td>SMC</td><td></td></tr> <tr><td>W</td><td></td></tr> <tr><td>Z</td><td></td></tr> <tr><td>PC</td><td></td></tr> </table>	MF		SA		KL		HP		SSC		SMC		W		Z		PC	
MF																							
SA																							
KL																							
HP																							
SSC																							
SMC																							
W																							
Z																							
PC																							
 <p>T-BARS ACVG65=2.5mm ACVG66=3.0mm ACVL150=4.0mm</p>  <p>Screw (Grub)</p>	<p>MF = Mill Finish SA = Silver Anodised KL = Basic Colour HP = Special Colour SSC = Smooth Satin Chrome SMC = Smokey Chrome PC = Polished Chrome</p> <p>W = White Z = Black</p>	 																					

STANDARD ACCESSORIES

Image	Part Code	Pack	Unit	Application	Colour	
	ACSIL014 Anti-Corrosion Coating	1	each		MF	✓
					SA	
					KL	
					HP	
					SSC	
					SMC	
					W	
					Z	
					PC	
	ACUN3900 Gasket Roller	1	Each	Wedge Gaskets	MF	
					SA	
					KL	
					HP	
					SSC	
					SMC	
					W	
					Z	
					PC	
					MF	
					SA	
					KL	
					HP	
					SSC	
					SMC	
					W	
					Z	
					PC	
					MF	
					SA	
					KL	
					HP	
					SSC	
					SMC	
					W	
					Z	
					PC	
	MF = Mill Finish SA = Silver Anodised KL = Basic Colour HP = Special Colour SSC = Smooth Satin Chrome SMC = Smokey Chrome PC = Polished Chrome					W = White Z = Black
						



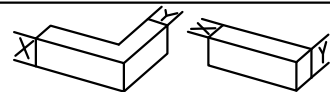
T-BARS
ACVG665=2.5mm
ACVG666=3.0mm
ACVL150=4.0mm



Screw (Grub)

MF = Mill Finish
SA = Silver Anodised
KL = Basic Colour
HP = Special Colour
SSC = Smooth Satin Chrome
SMC = Smokey Chrome
PC = Polished Chrome

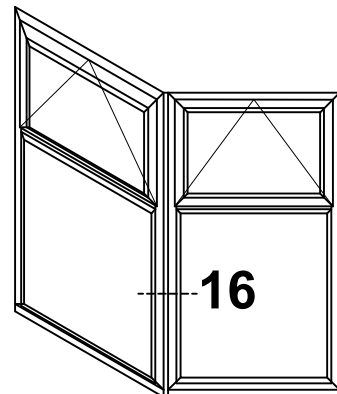
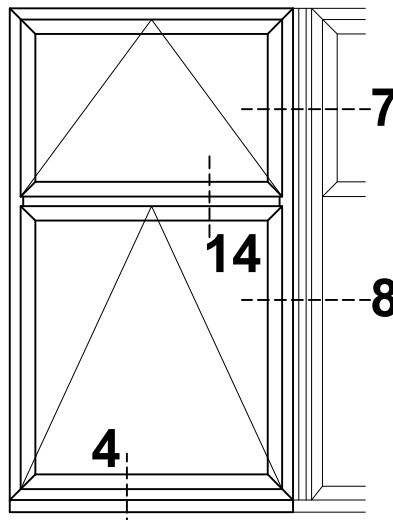
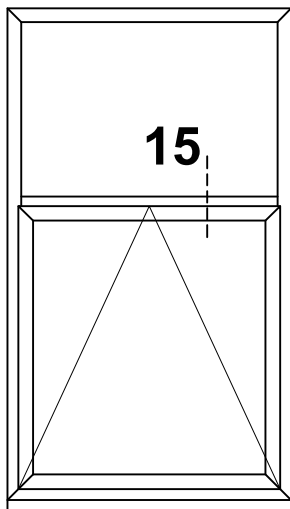
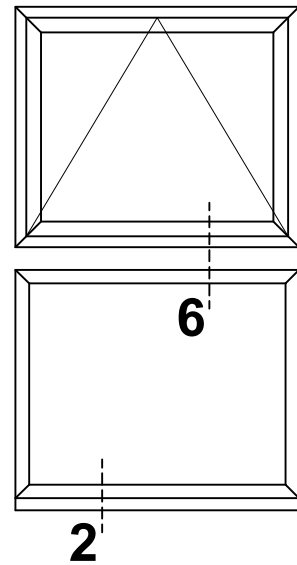
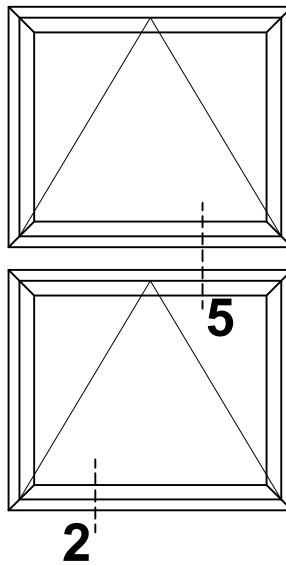
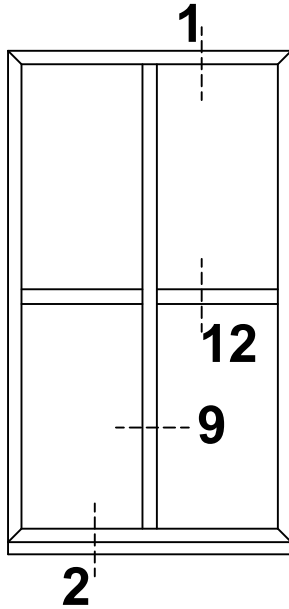
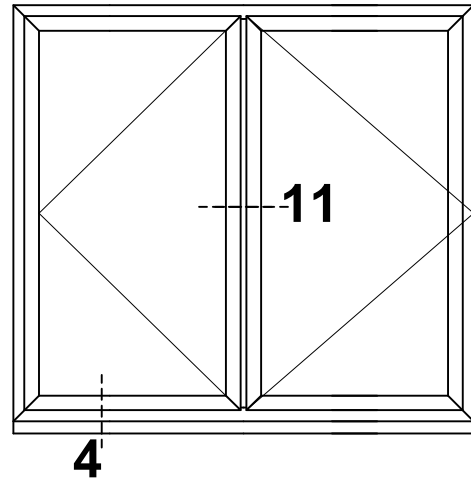
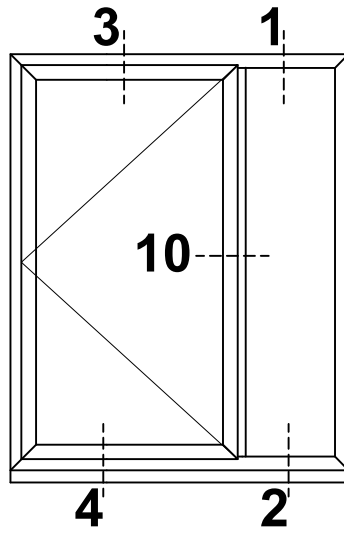
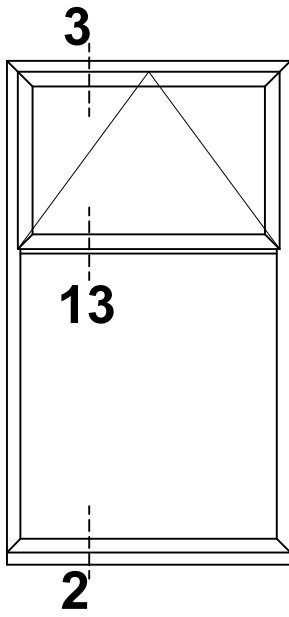
W = White
Z = Black



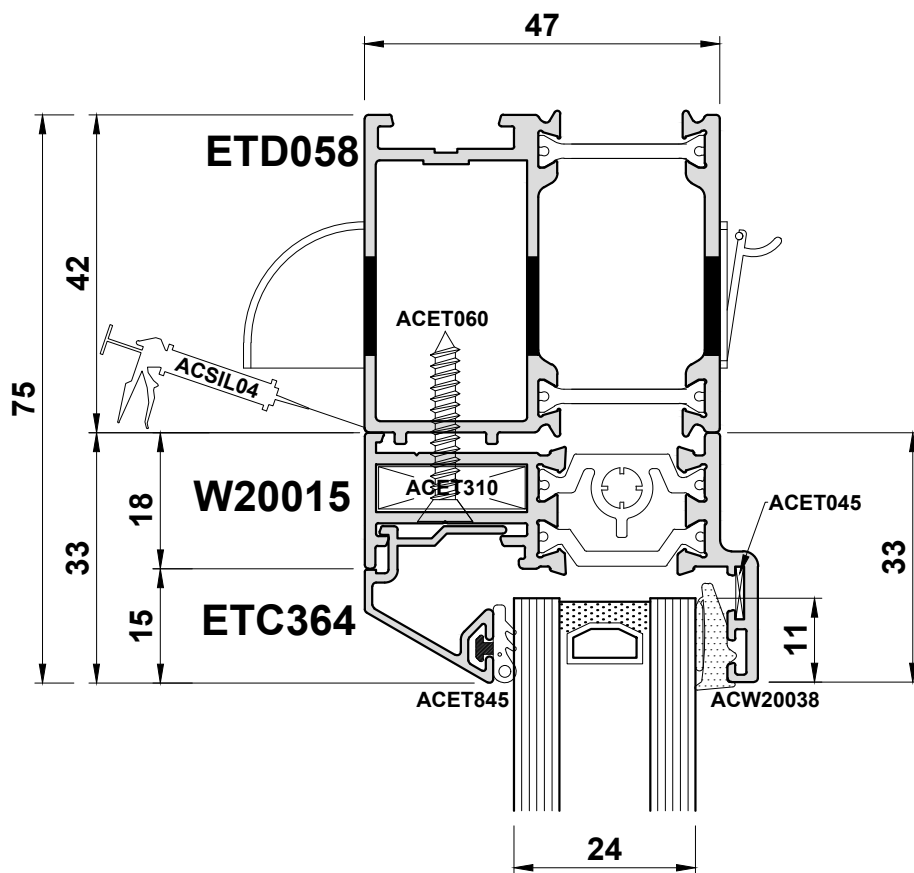
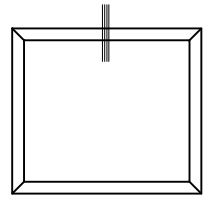
Section C

Sections

Scale Elevations

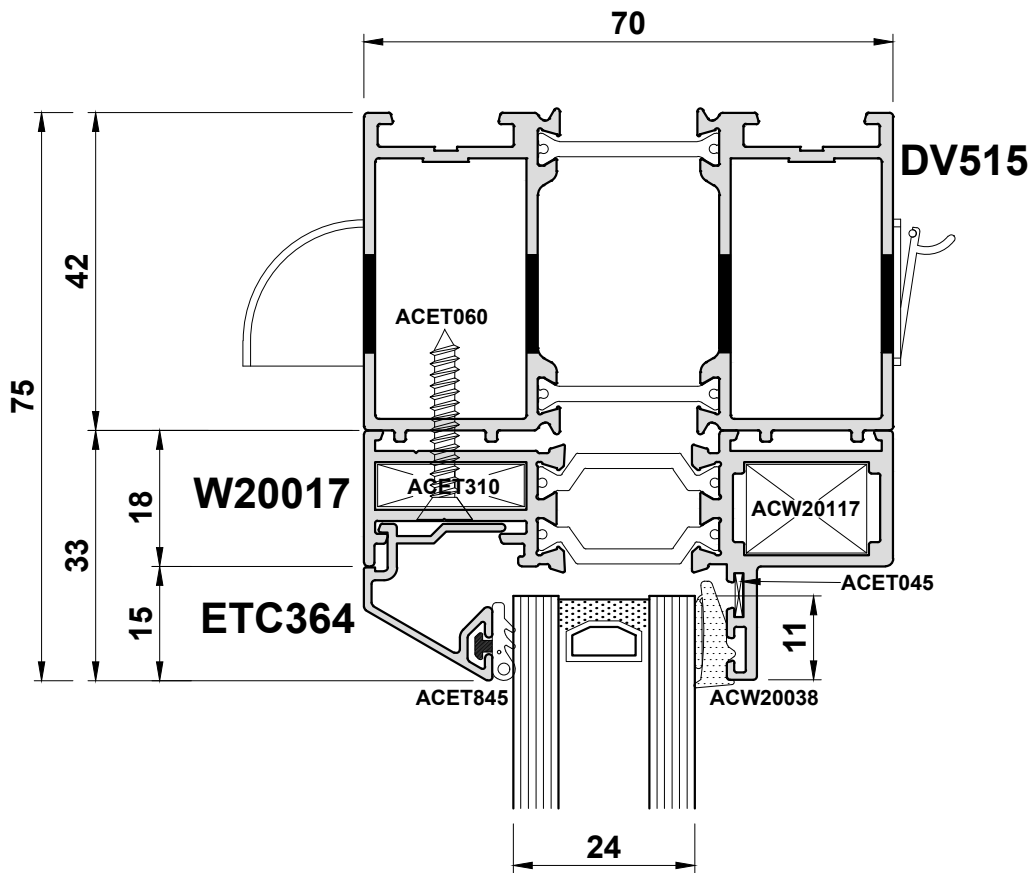
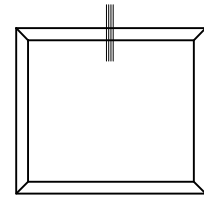


Detail 1A



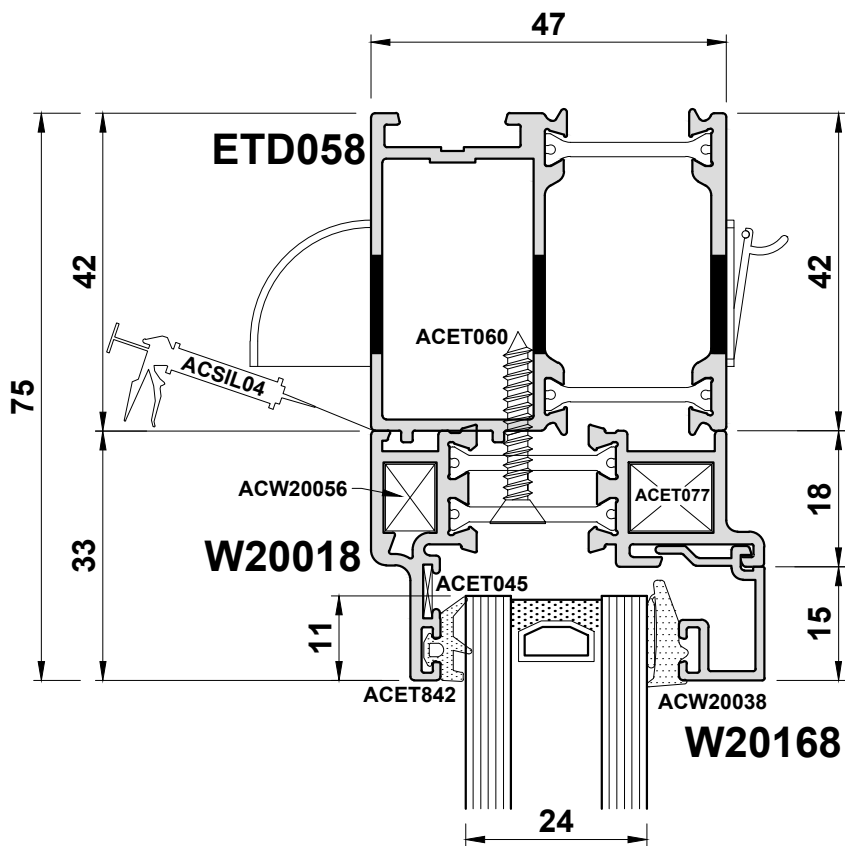
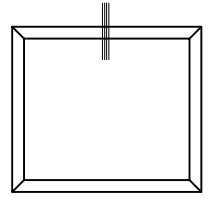
Do Not Scale From This Drawing

Detail 1B



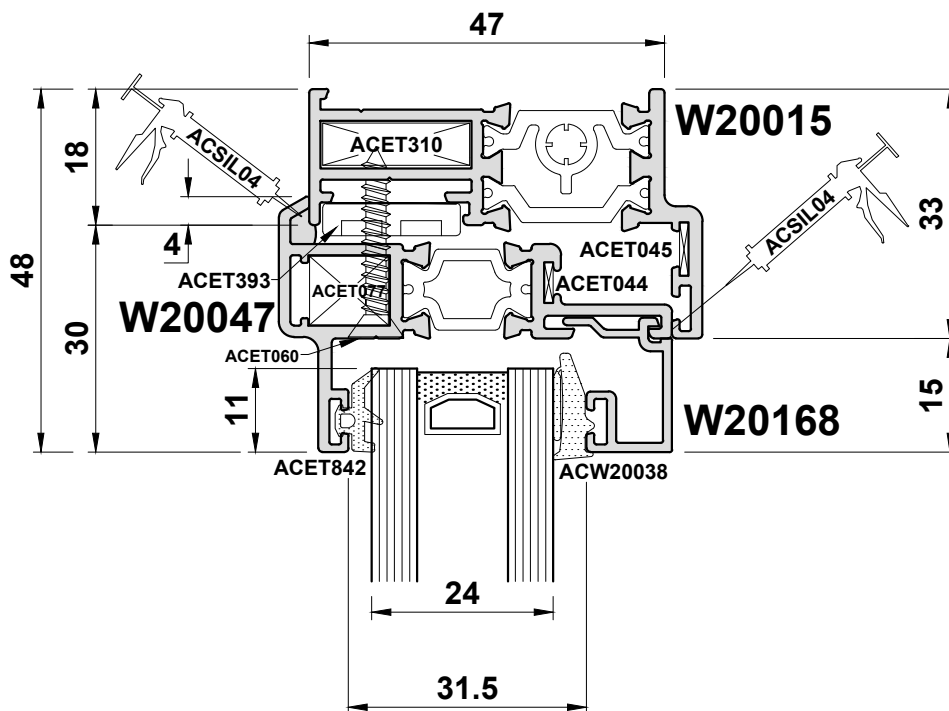
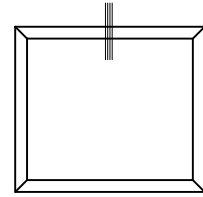
Do Not Scale From This Drawing

Detail 1C



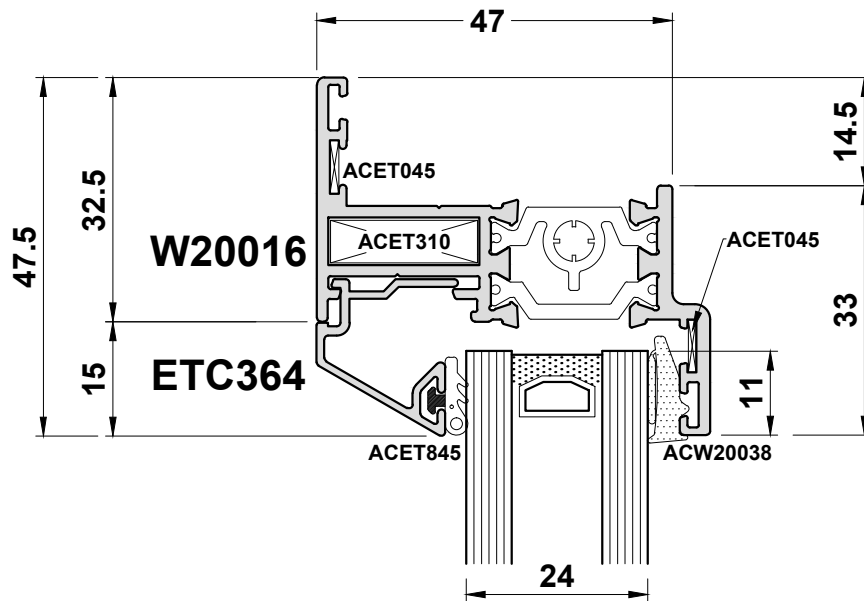
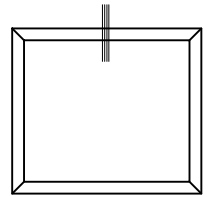
Do Not Scale From This Drawing

Detail 1D



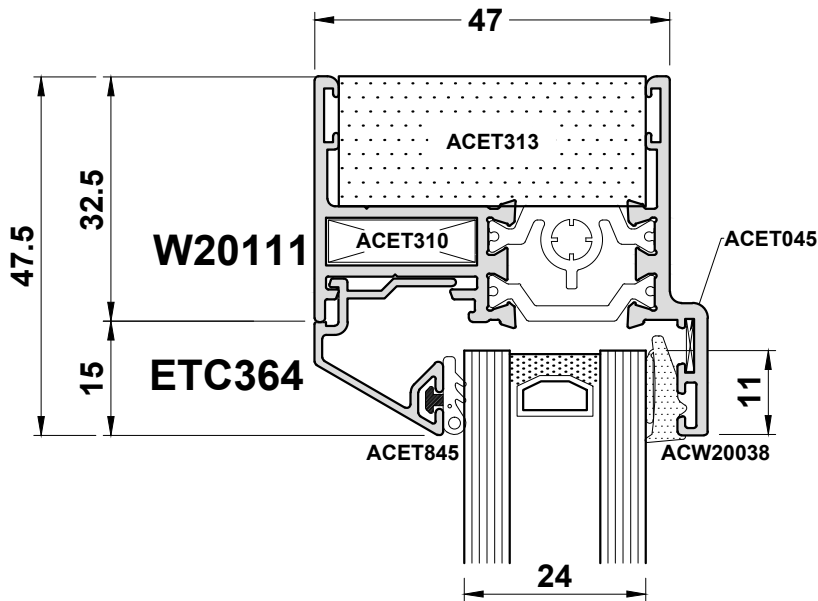
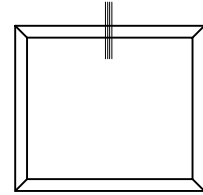
Do Not Scale From This Drawing

Detail 1E



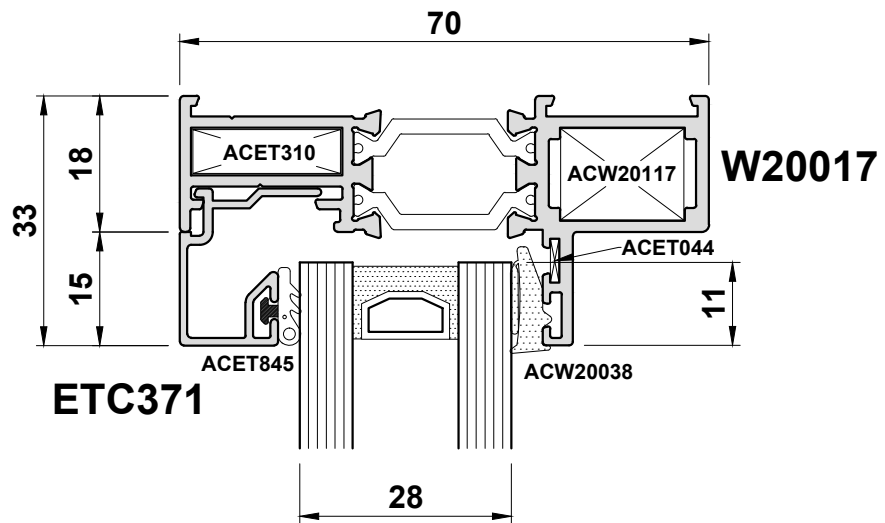
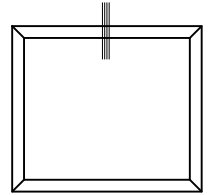
Do Not Scale From This Drawing

Detail 1F



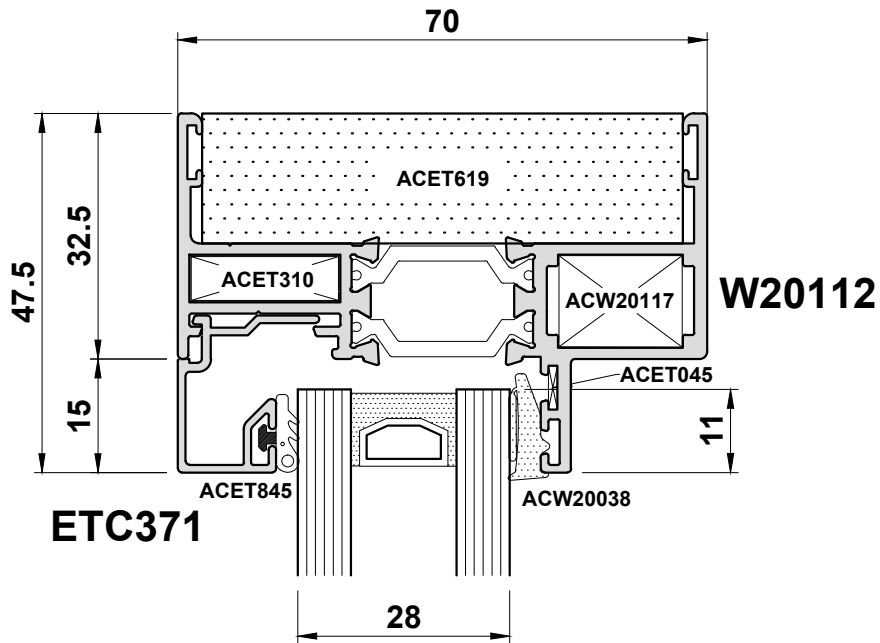
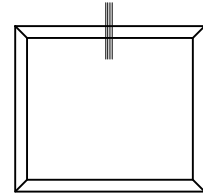
Do Not Scale From This Drawing

Detail 1G



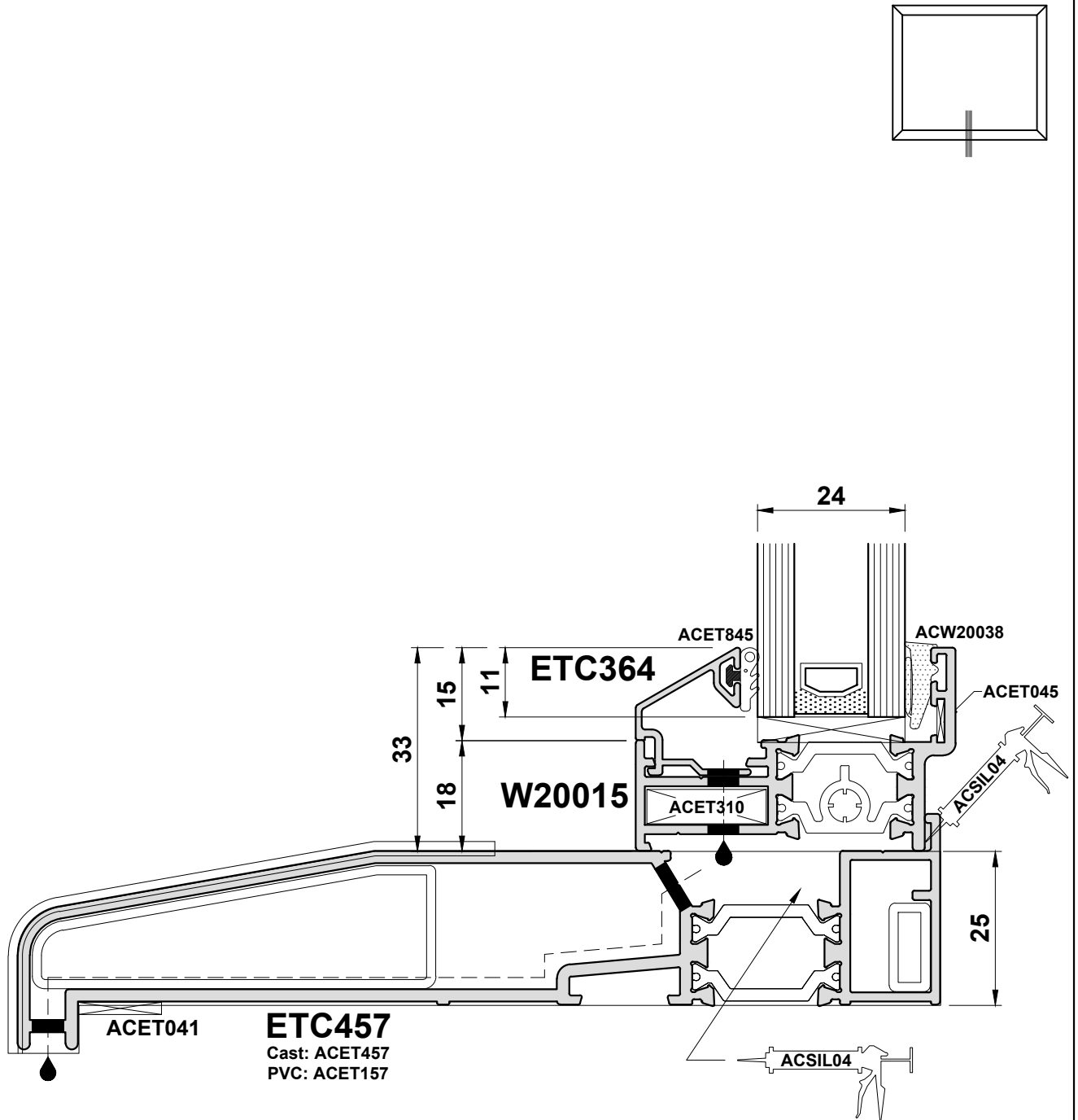
Do Not Scale From This Drawing

Detail 1H



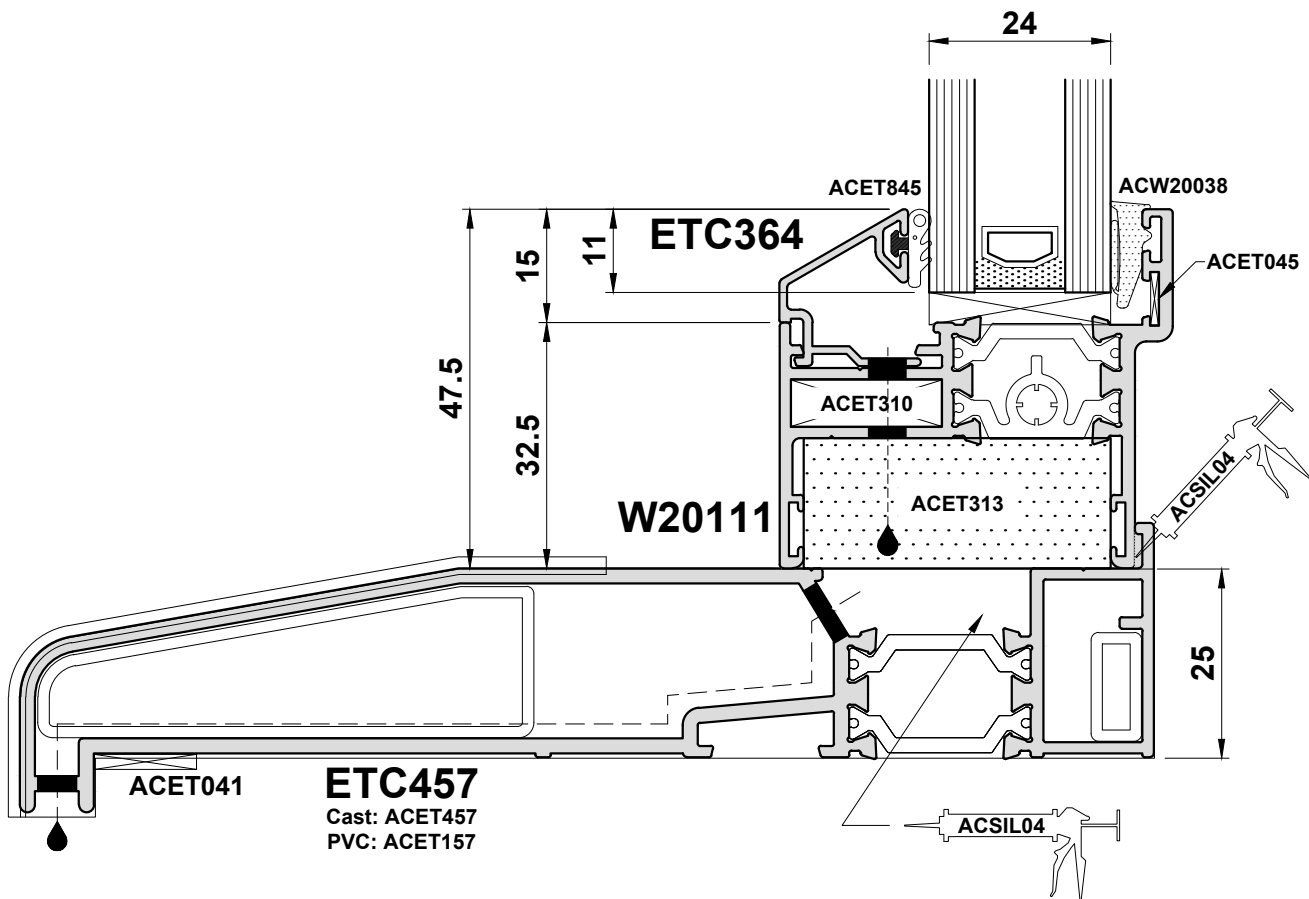
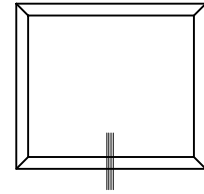
Do Not Scale From This Drawing

Detail 2A



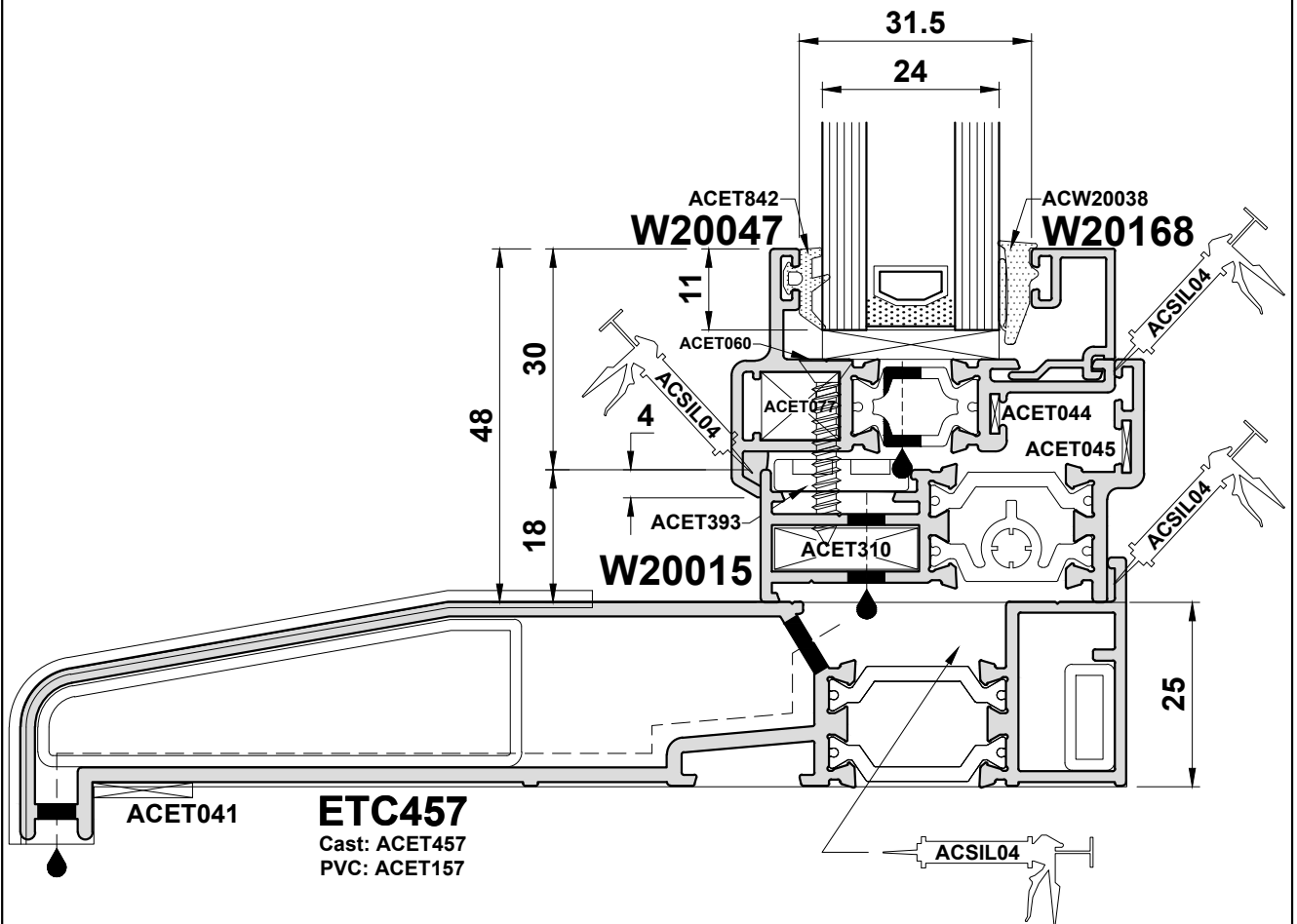
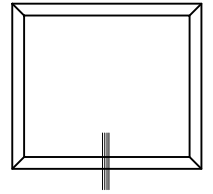
Do Not Scale From This Drawing

Detail 2B



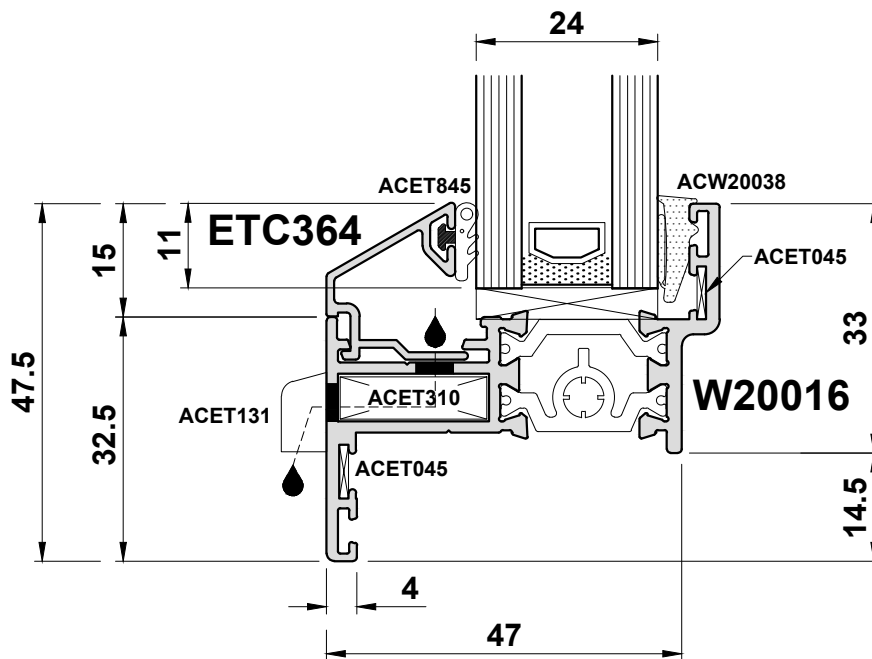
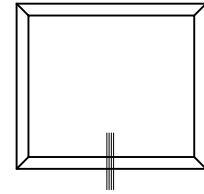
Do Not Scale From This Drawing

Detail 2C



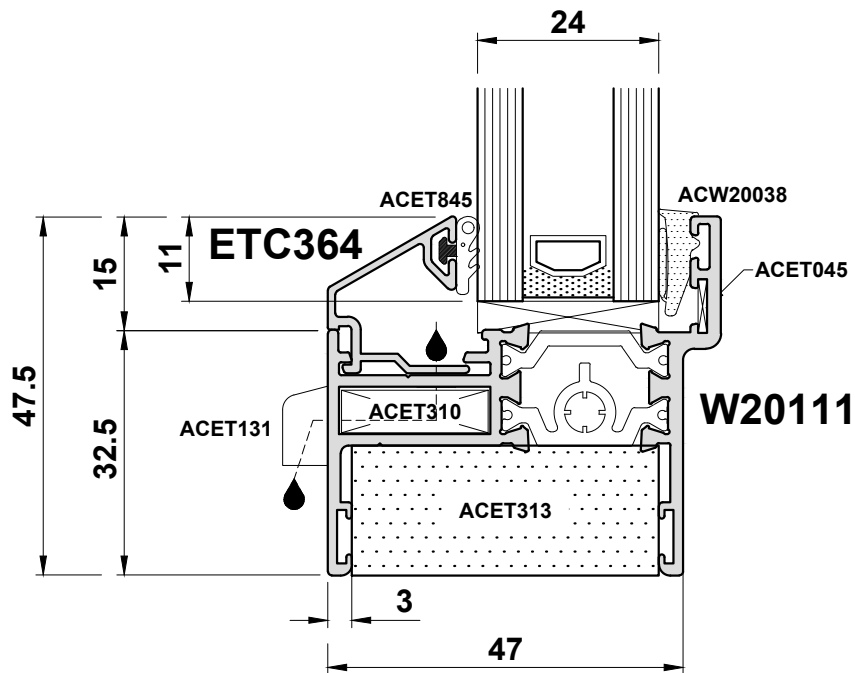
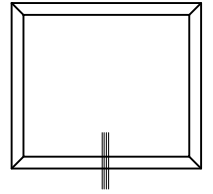
Do Not Scale From This Drawing

Detail 2D



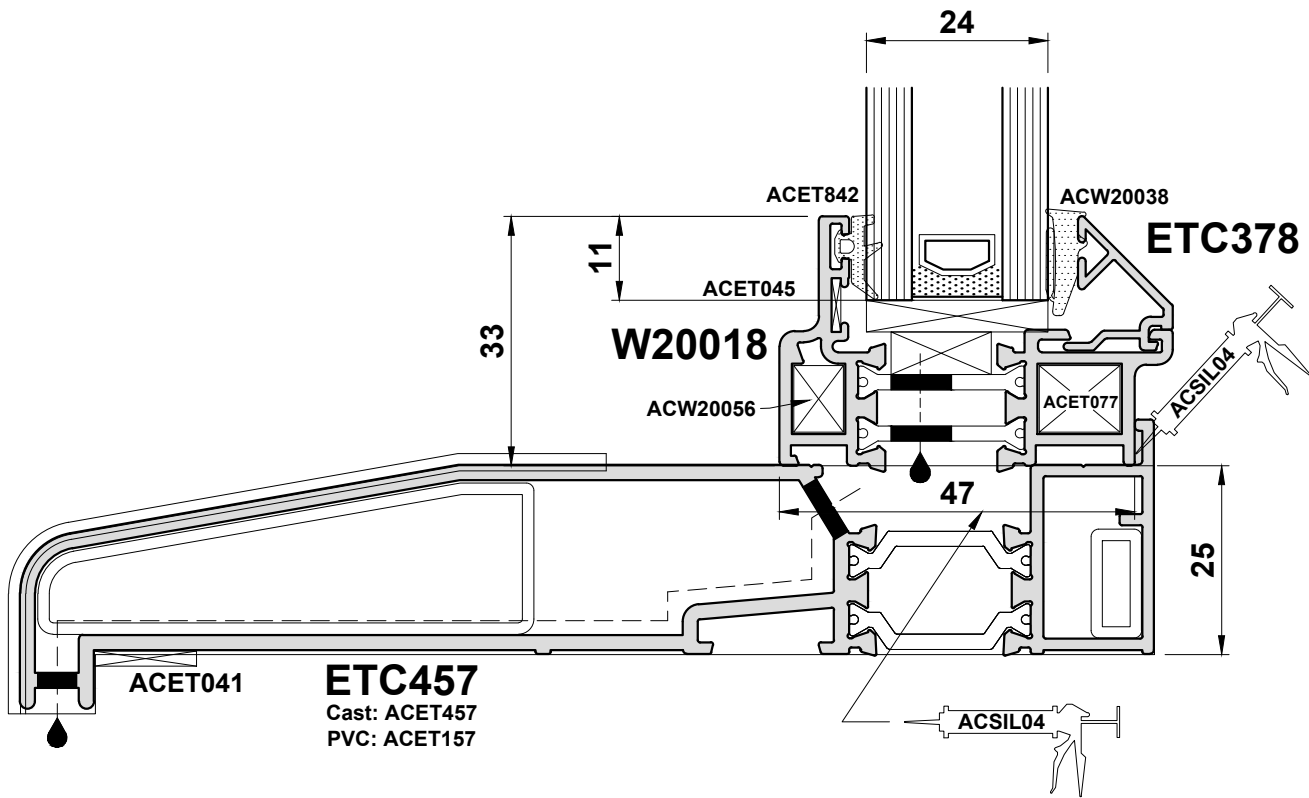
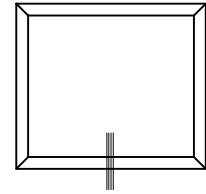
Do Not Scale From This Drawing

Detail 2E



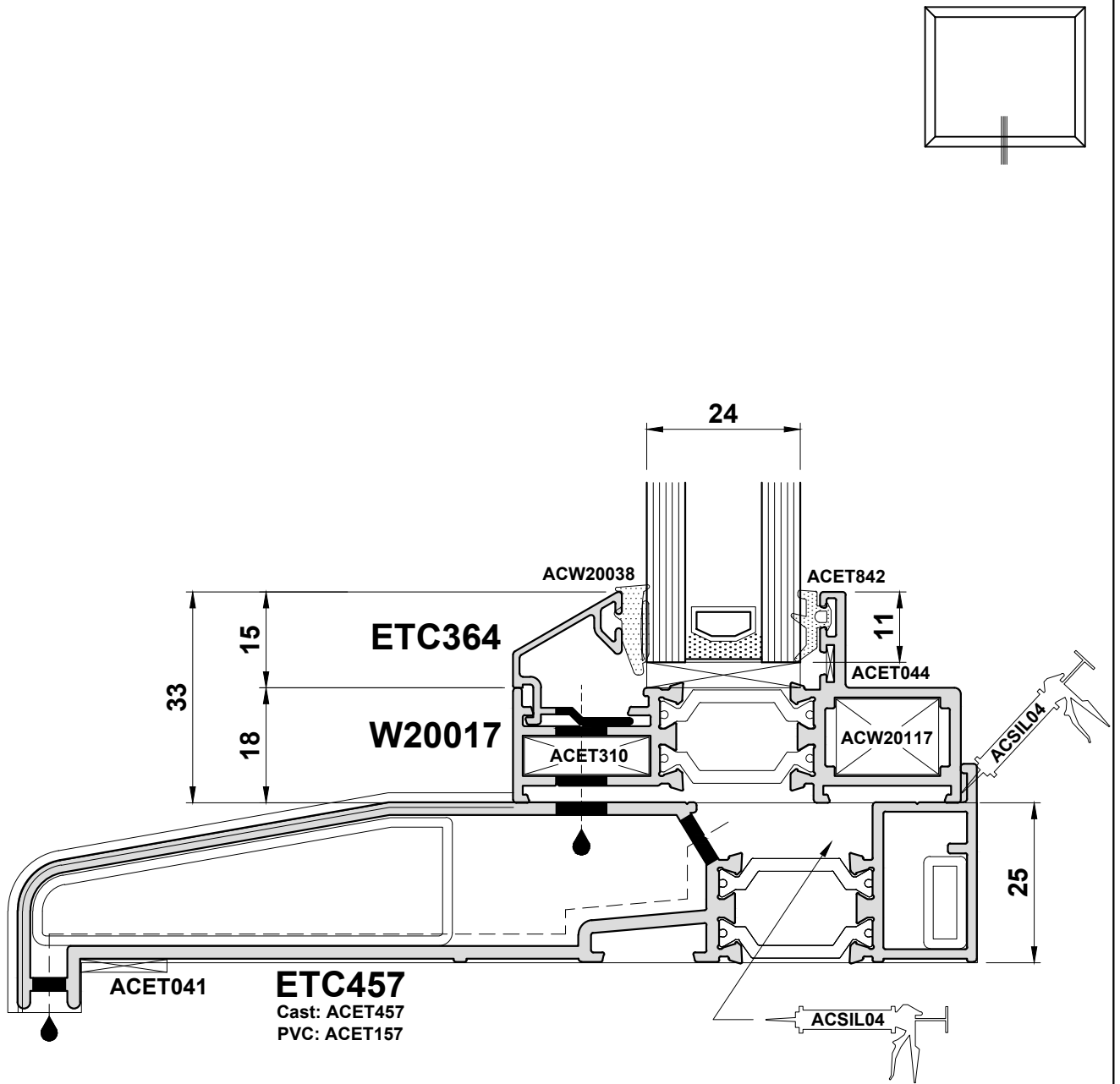
Do Not Scale From This Drawing

Detail 2F



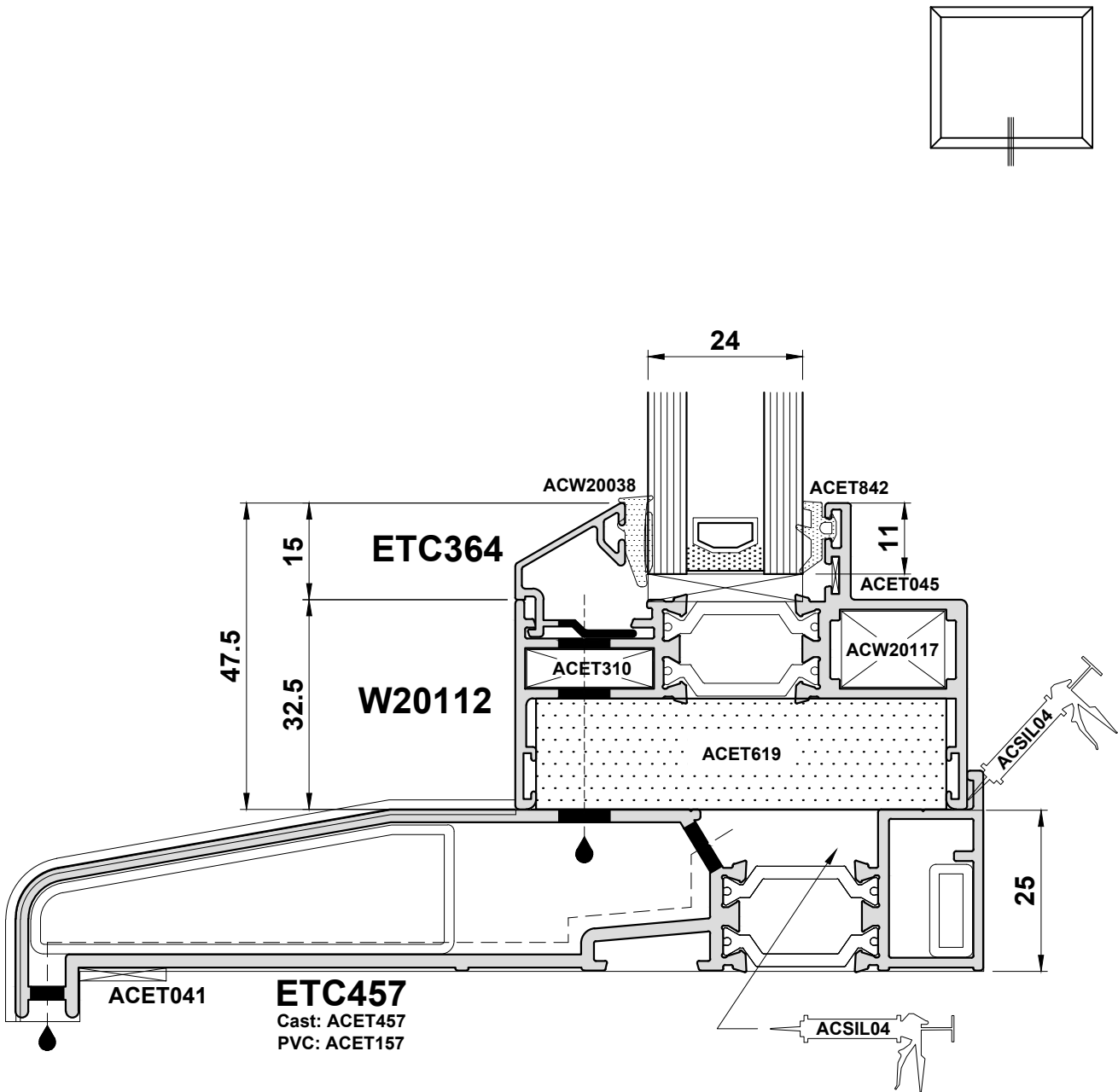
Do Not Scale From This Drawing

Detail 2G



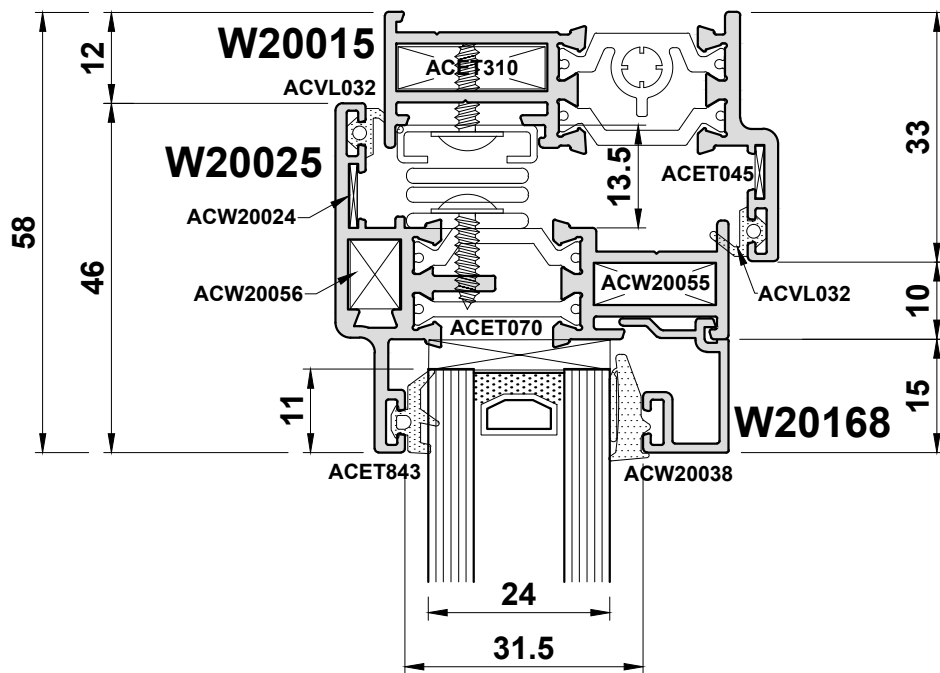
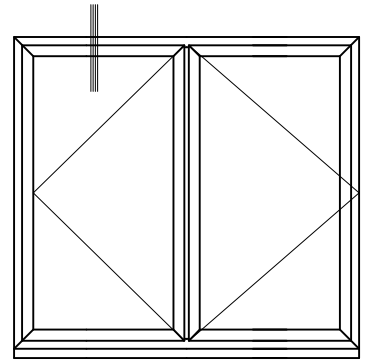
Do Not Scale From This Drawing

Detail 2H



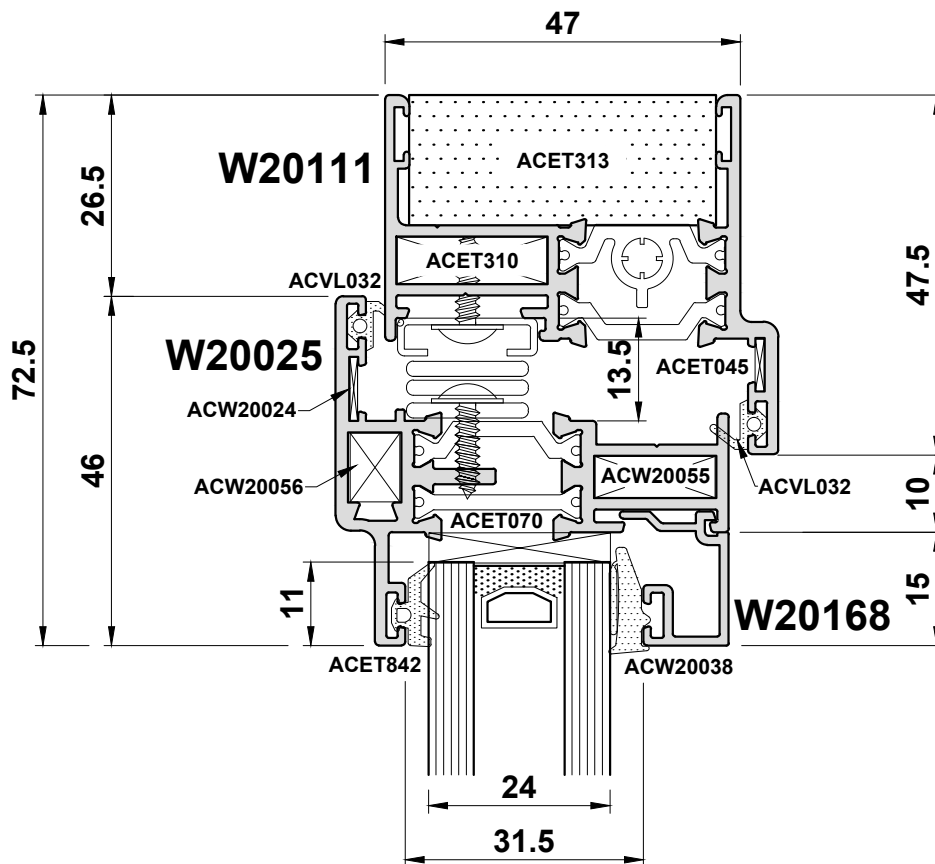
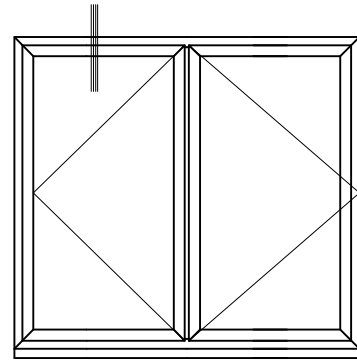
Do Not Scale From This Drawing

Detail 3A



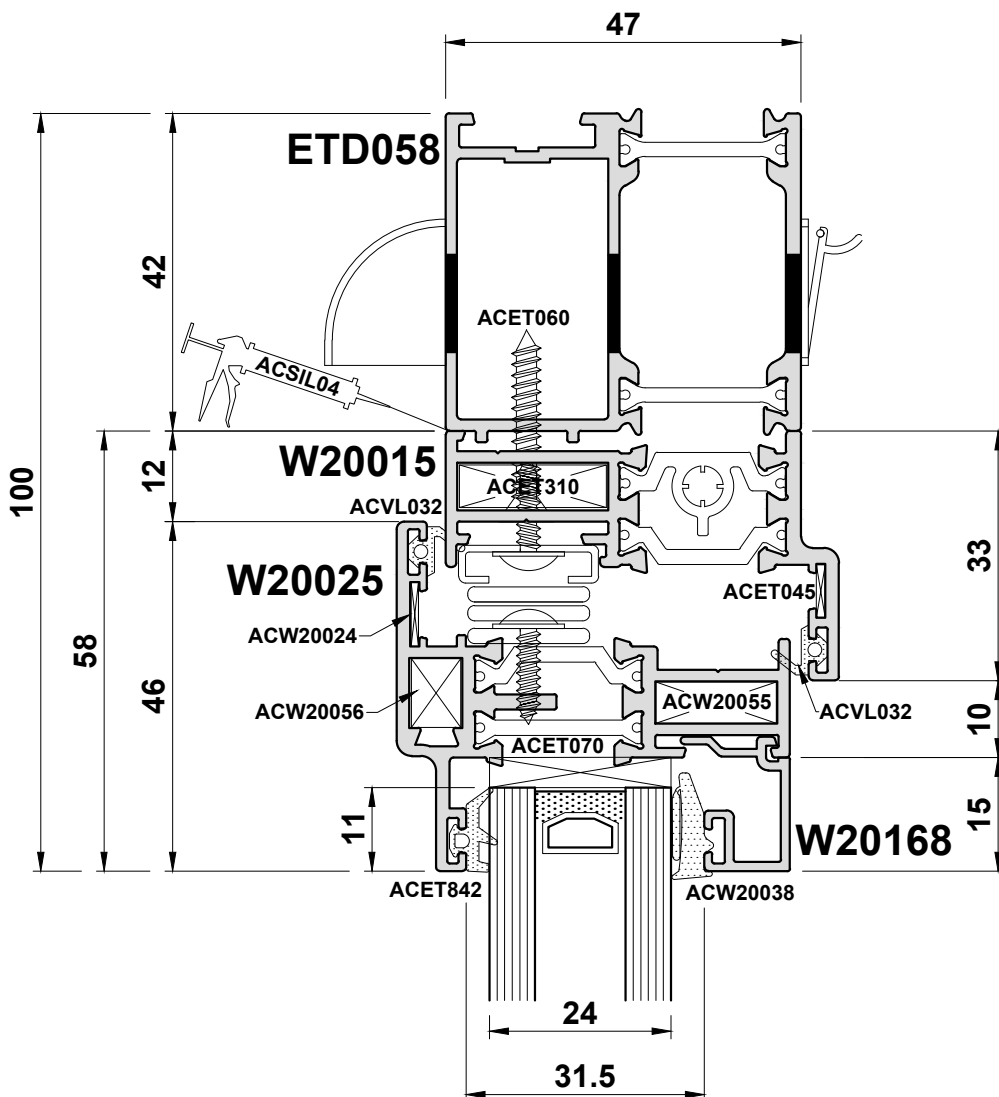
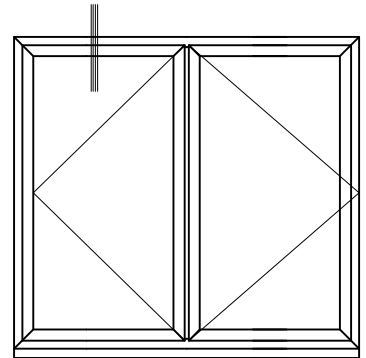
Do Not Scale From This Drawing

Detail 3B



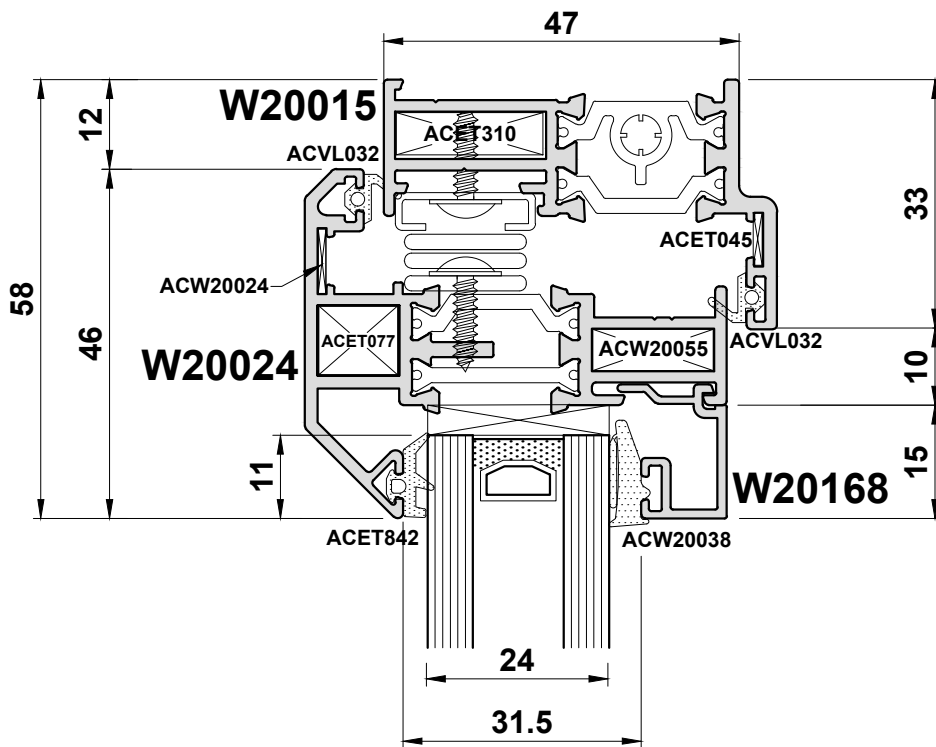
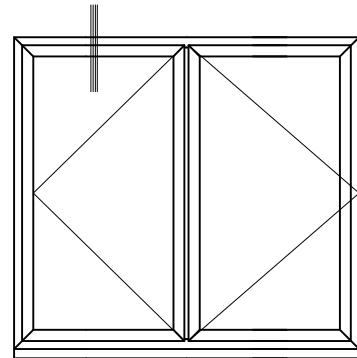
Do Not Scale From This Drawing

Detail 3C



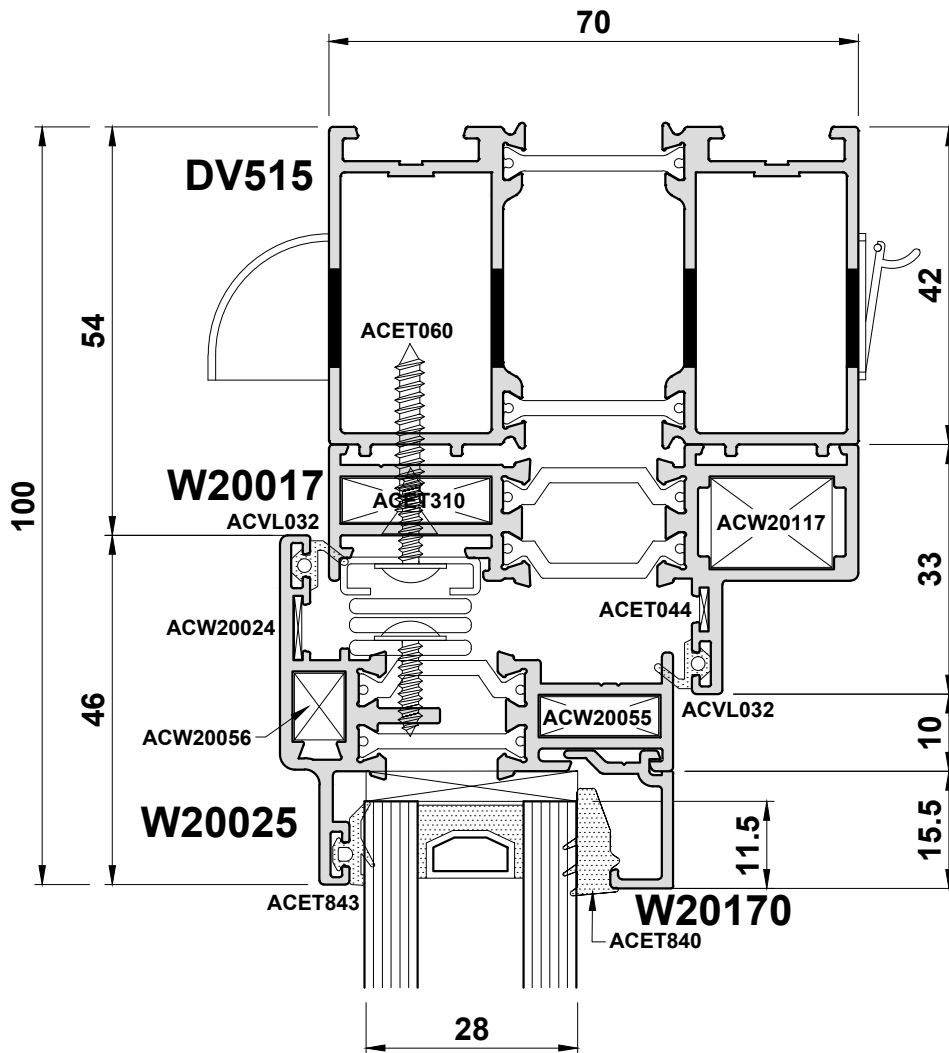
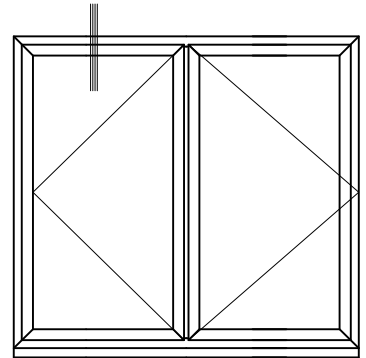
Do Not Scale From This Drawing

Detail 3D



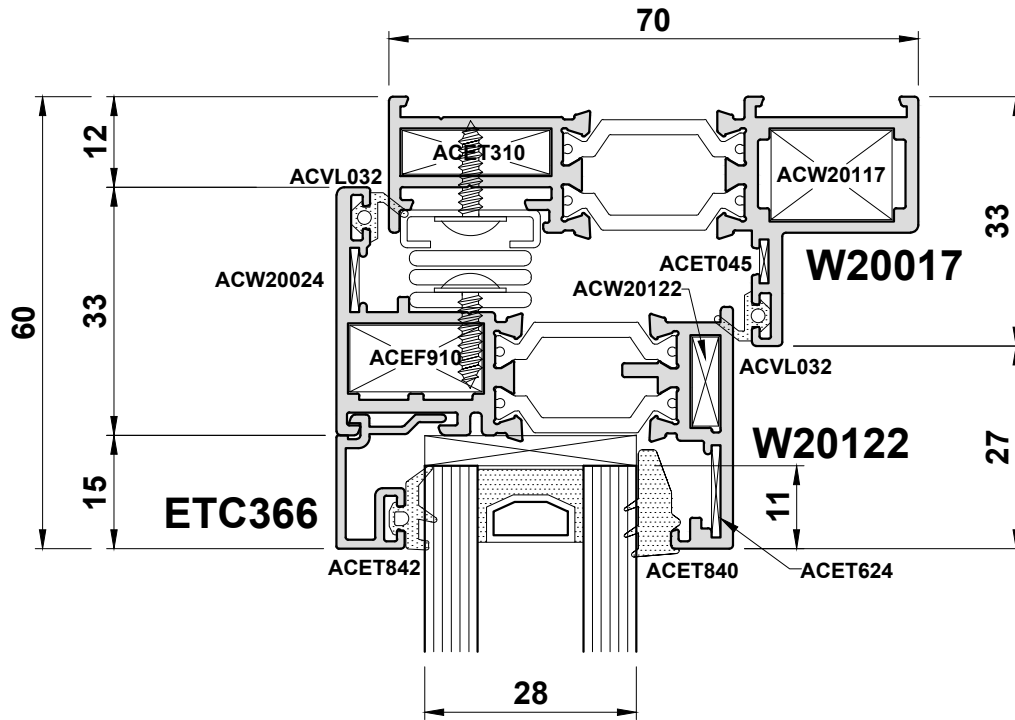
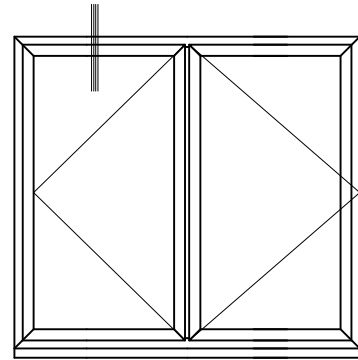
Do Not Scale From This Drawing

Detail 3E



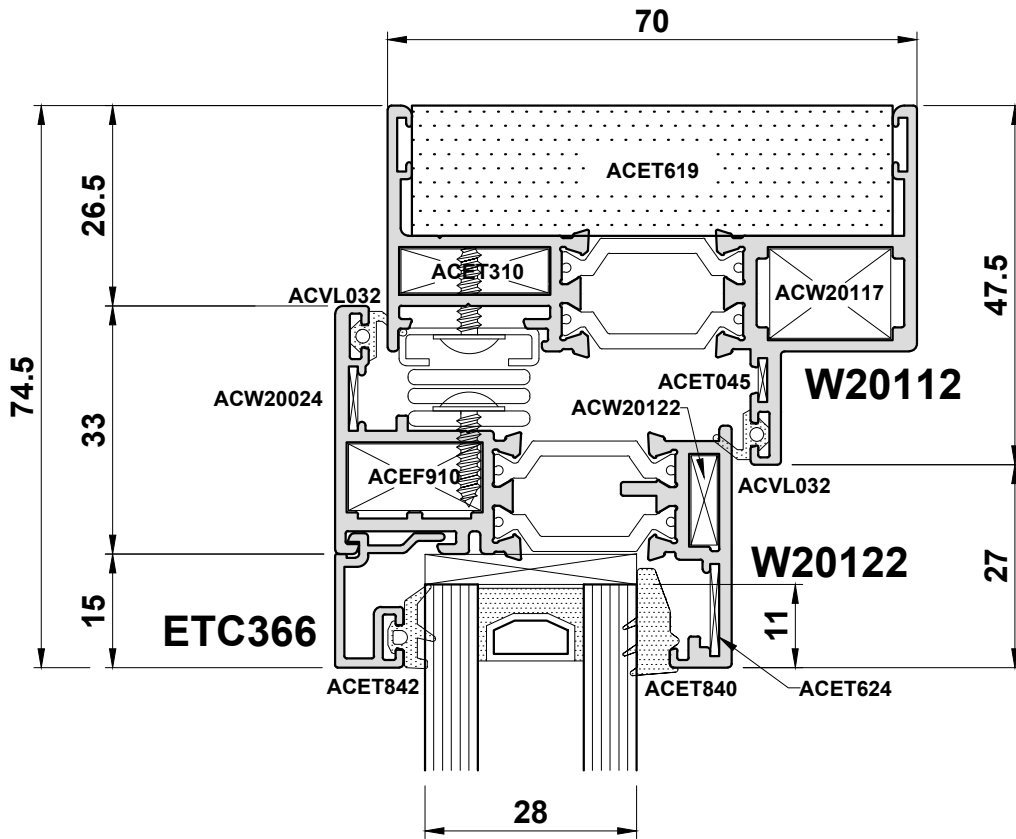
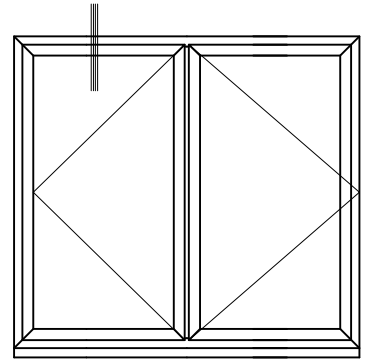
Do Not Scale From This Drawing

Detail 3F



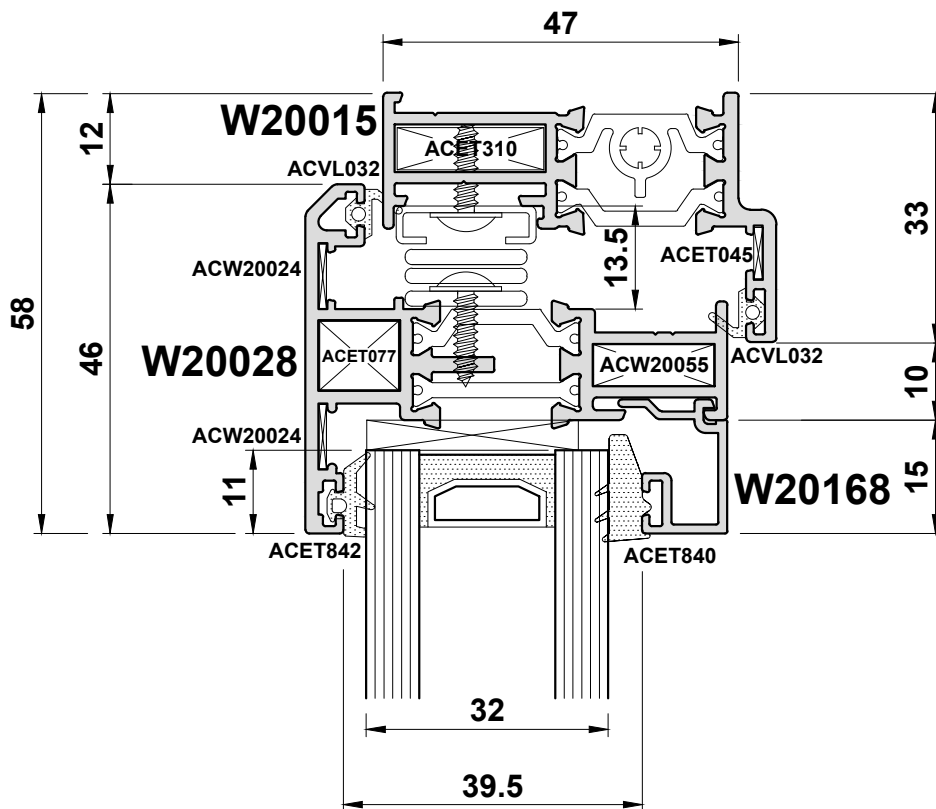
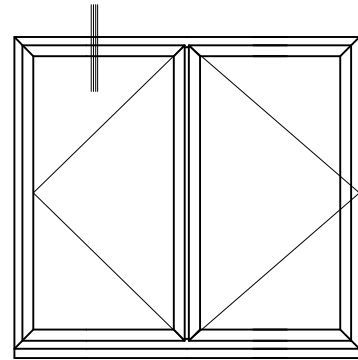
Do Not Scale From This Drawing

Detail 3G



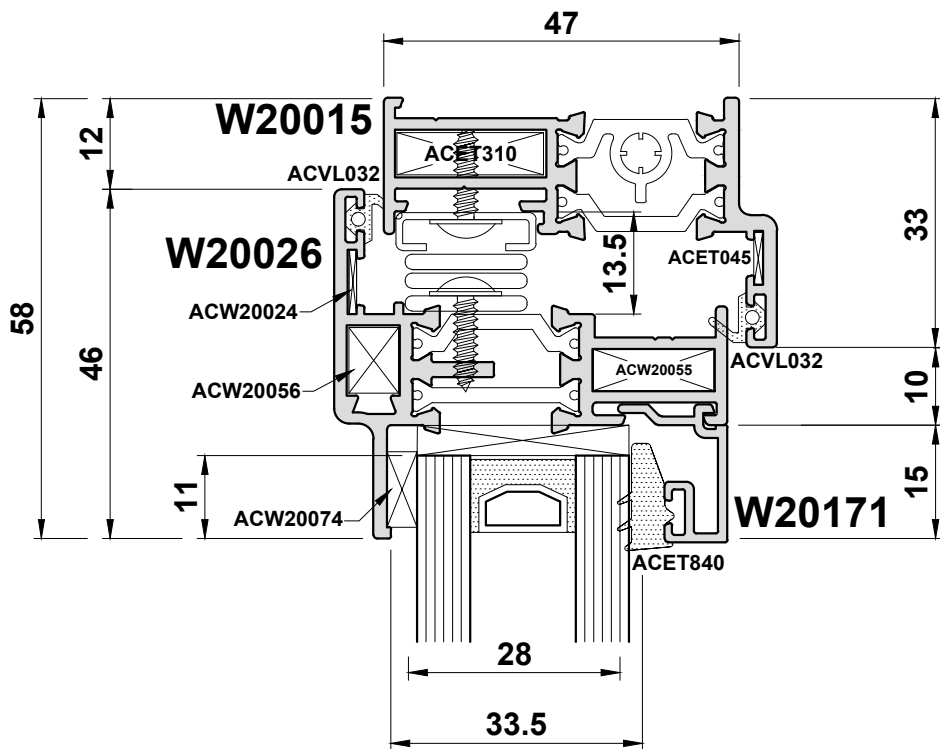
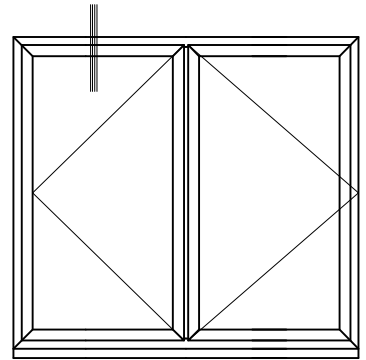
Do Not Scale From This Drawing

Detail 3H



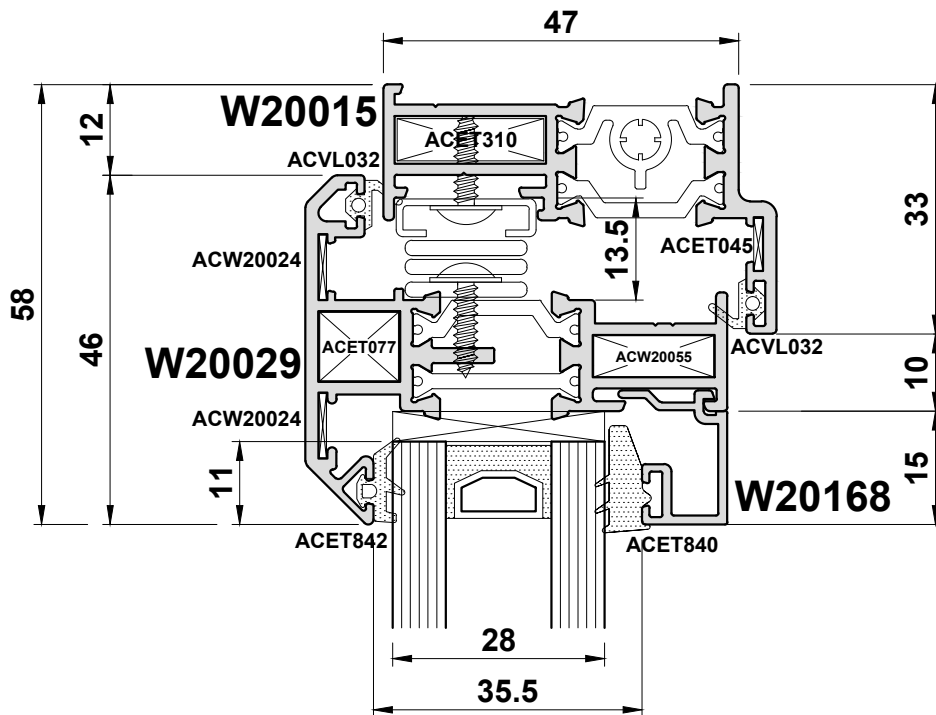
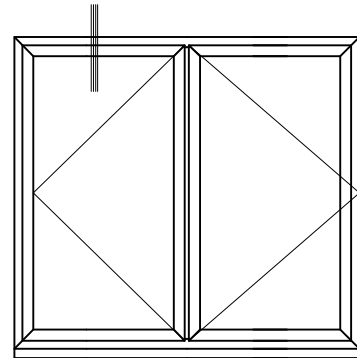
Do Not Scale From This Drawing

Detail 3I



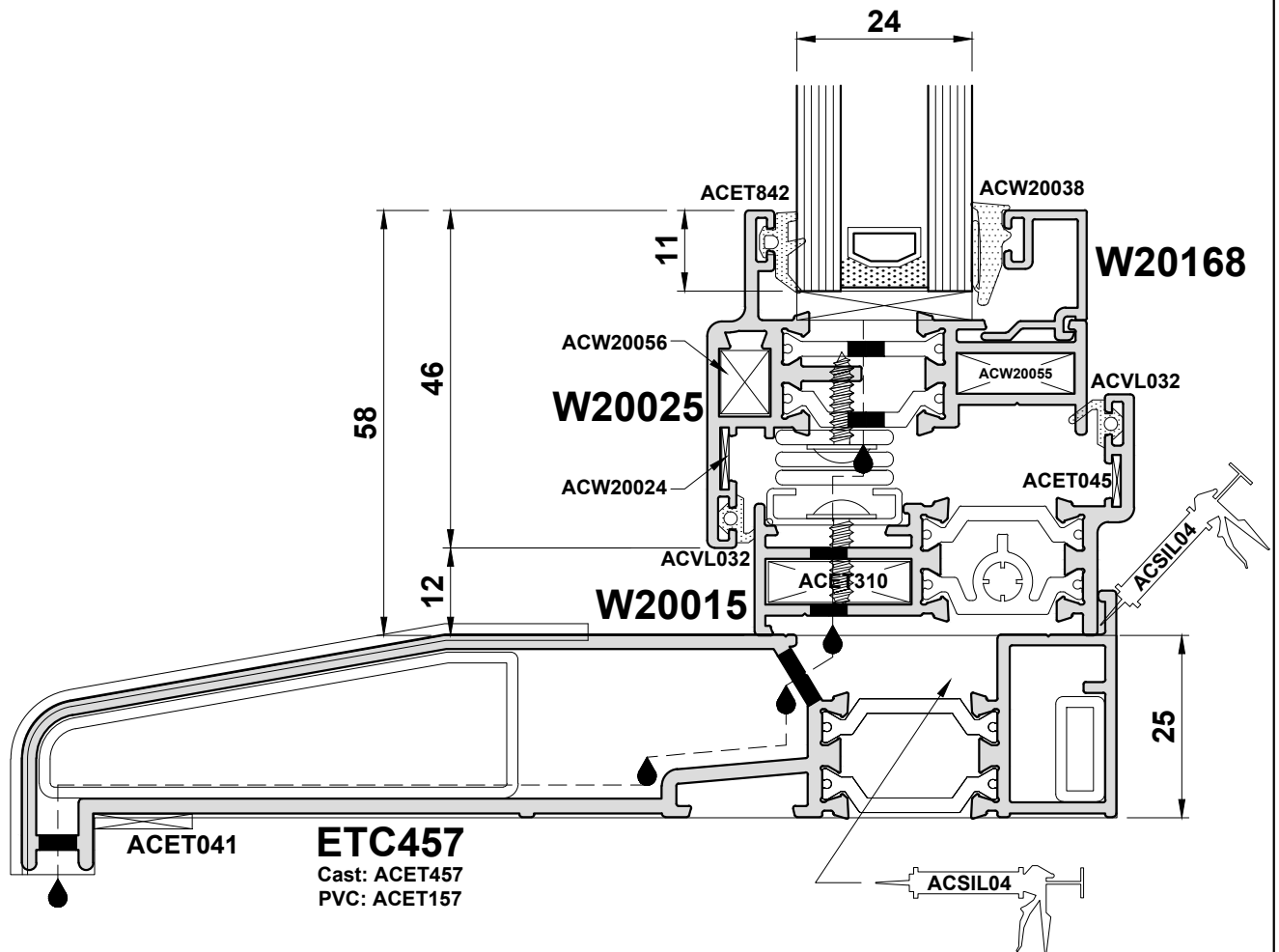
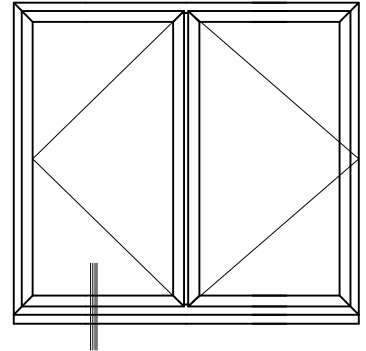
Do Not Scale From This Drawing

Detail 3J



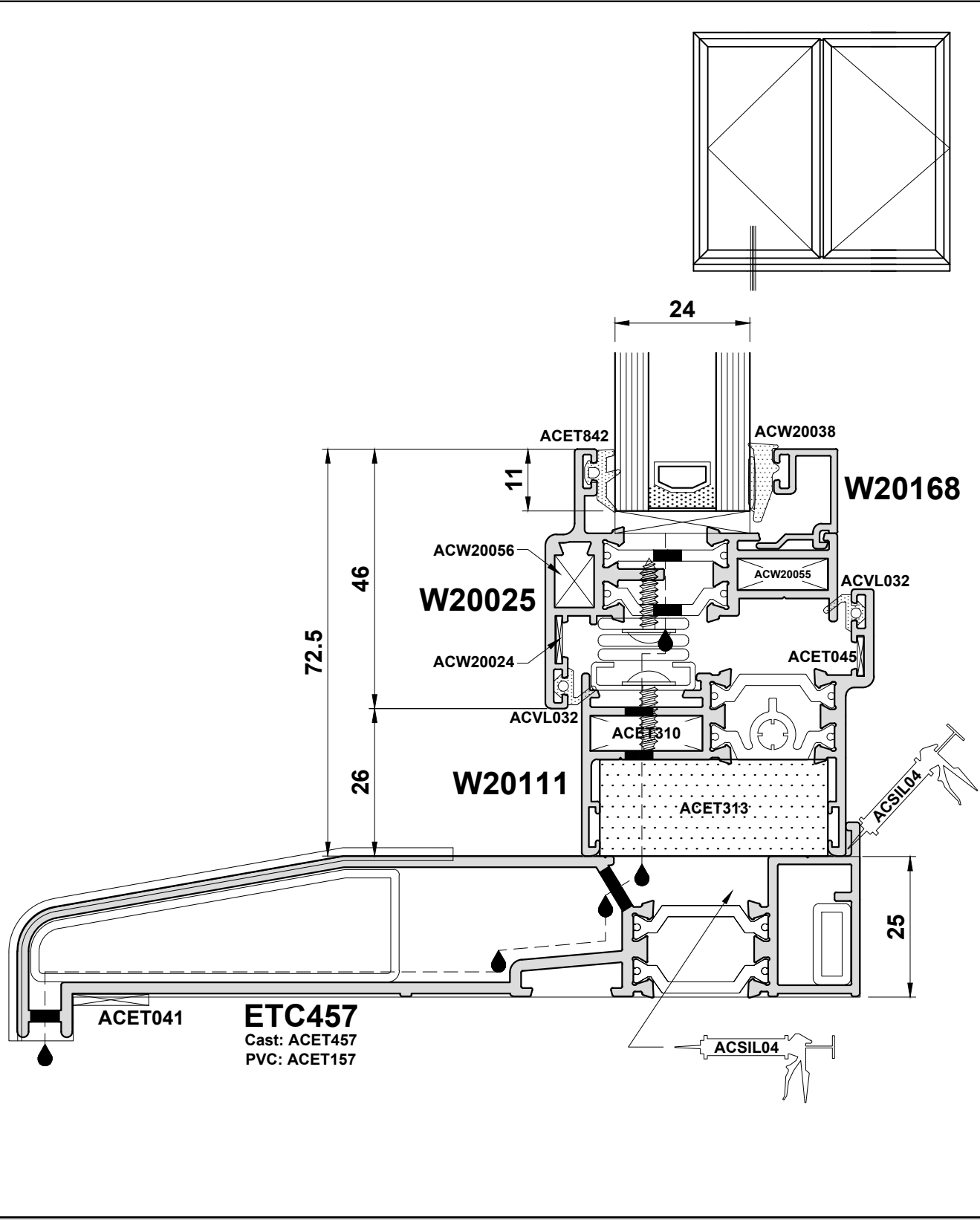
Do Not Scale From This Drawing

Detail 4A



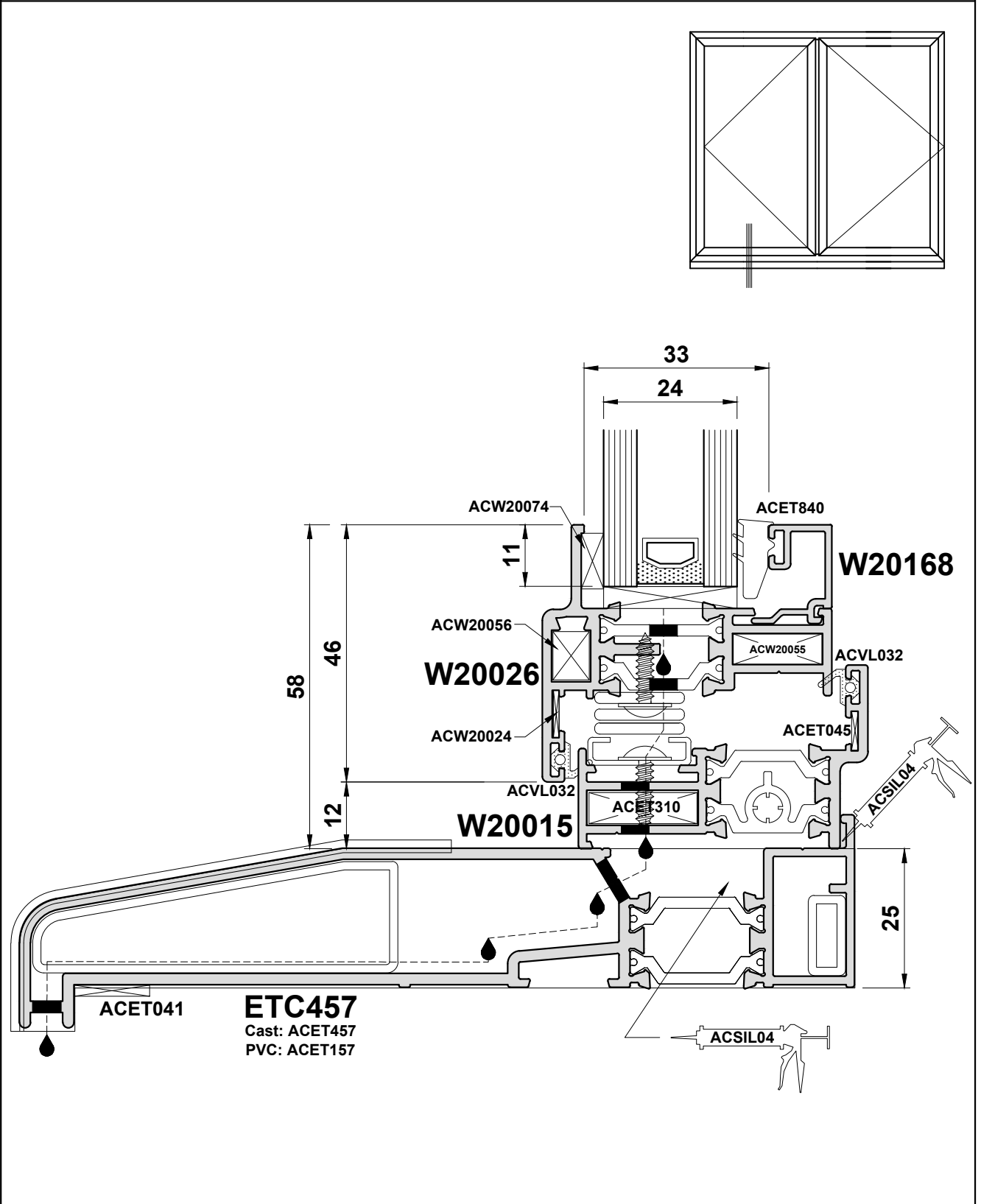
Do Not Scale From This Drawing

Detail 4B



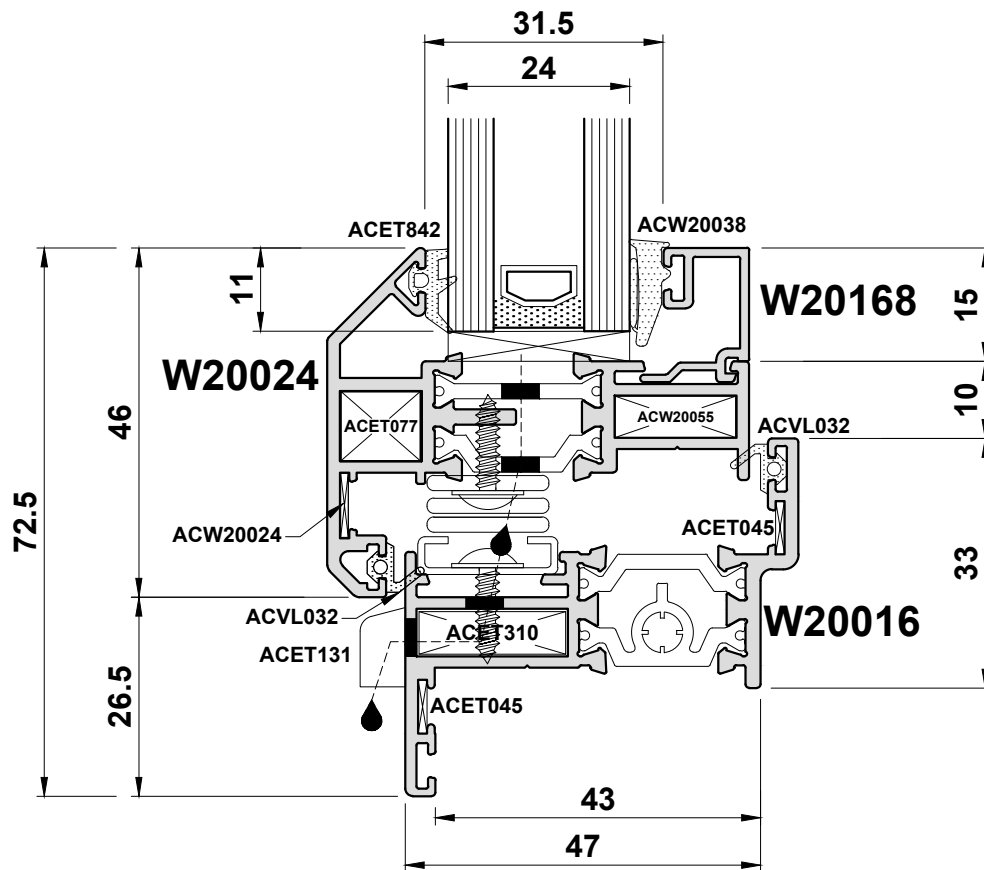
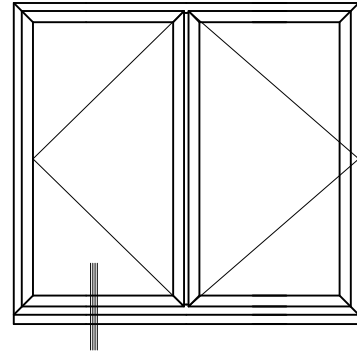
Do Not Scale From This Drawing

Detail 4C



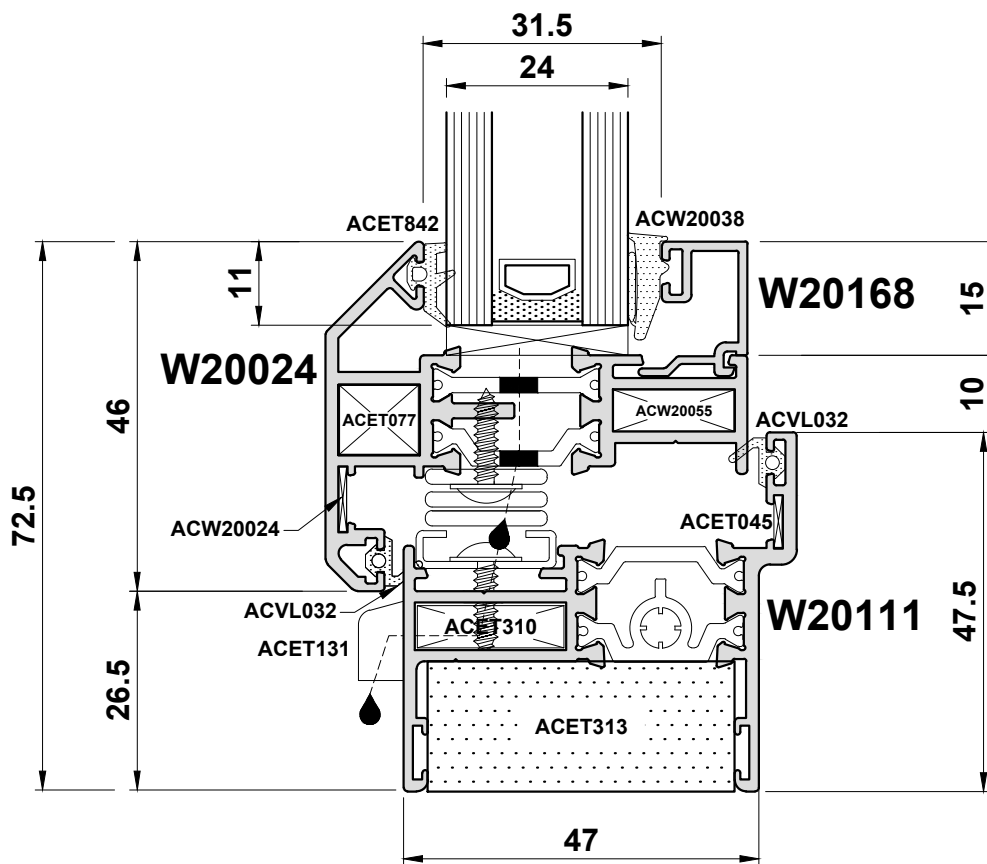
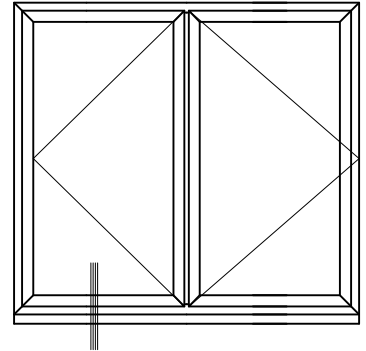
Do Not Scale From This Drawing

Detail 4D



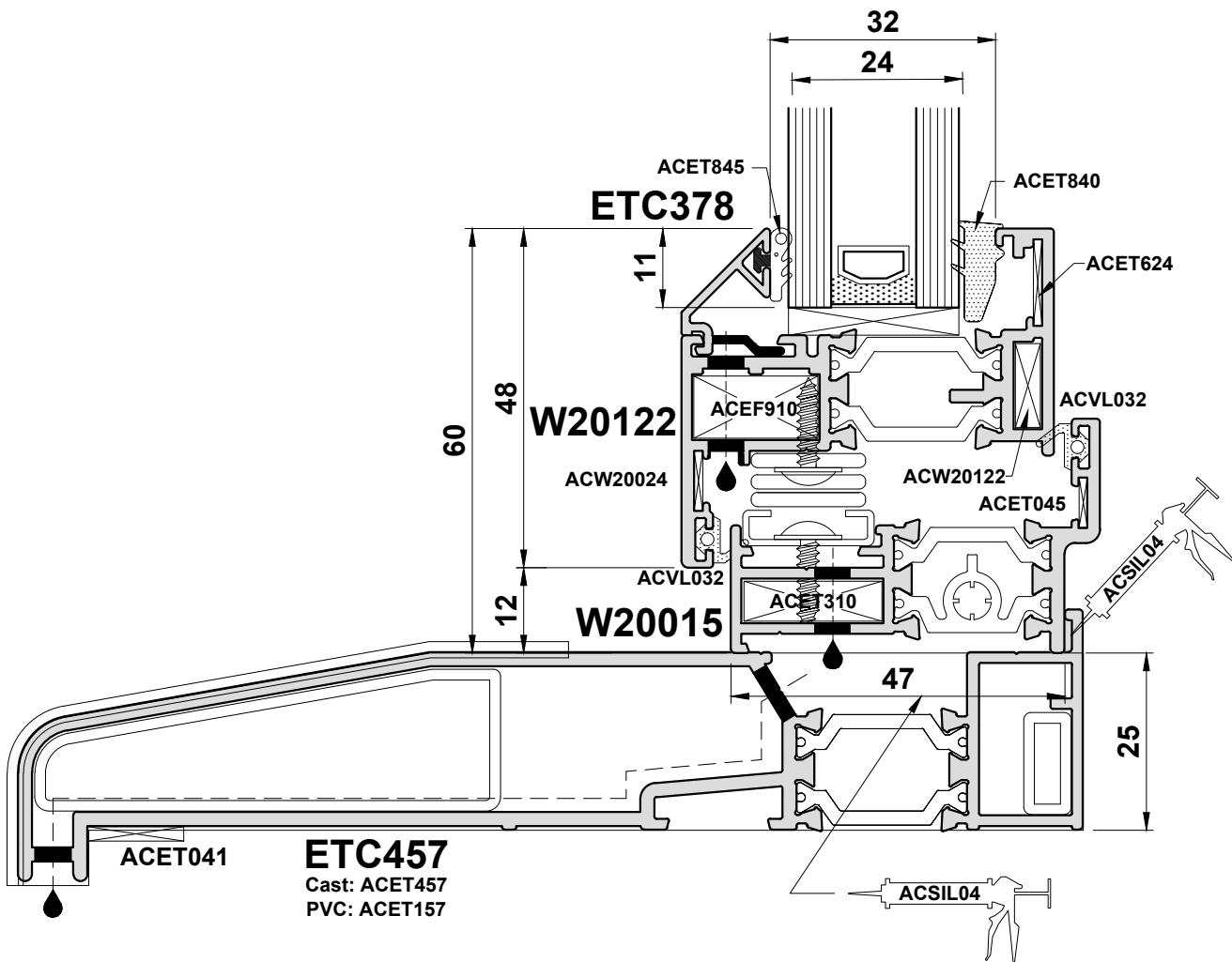
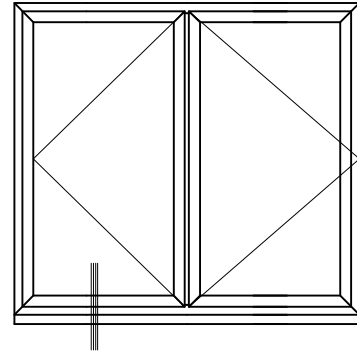
Do Not Scale From This Drawing

Detail 4E



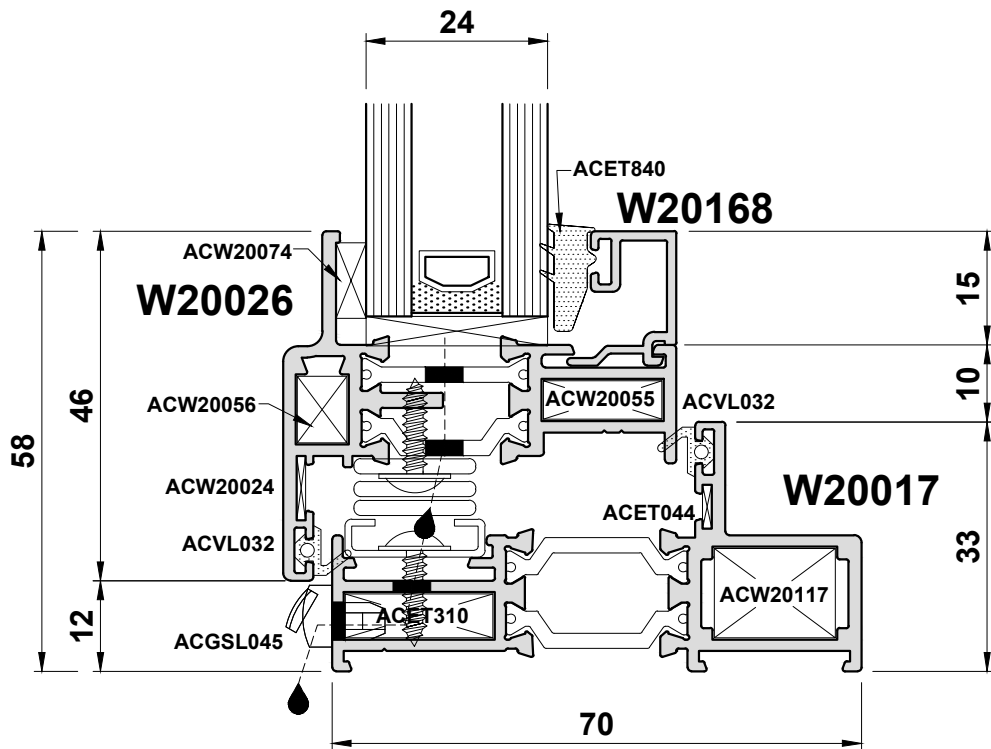
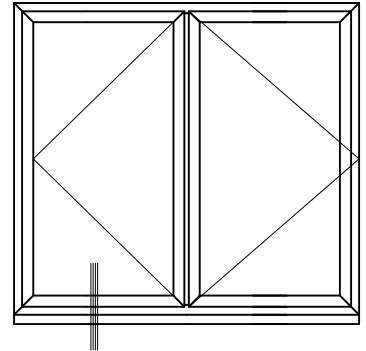
Do Not Scale From This Drawing

Detail 4F



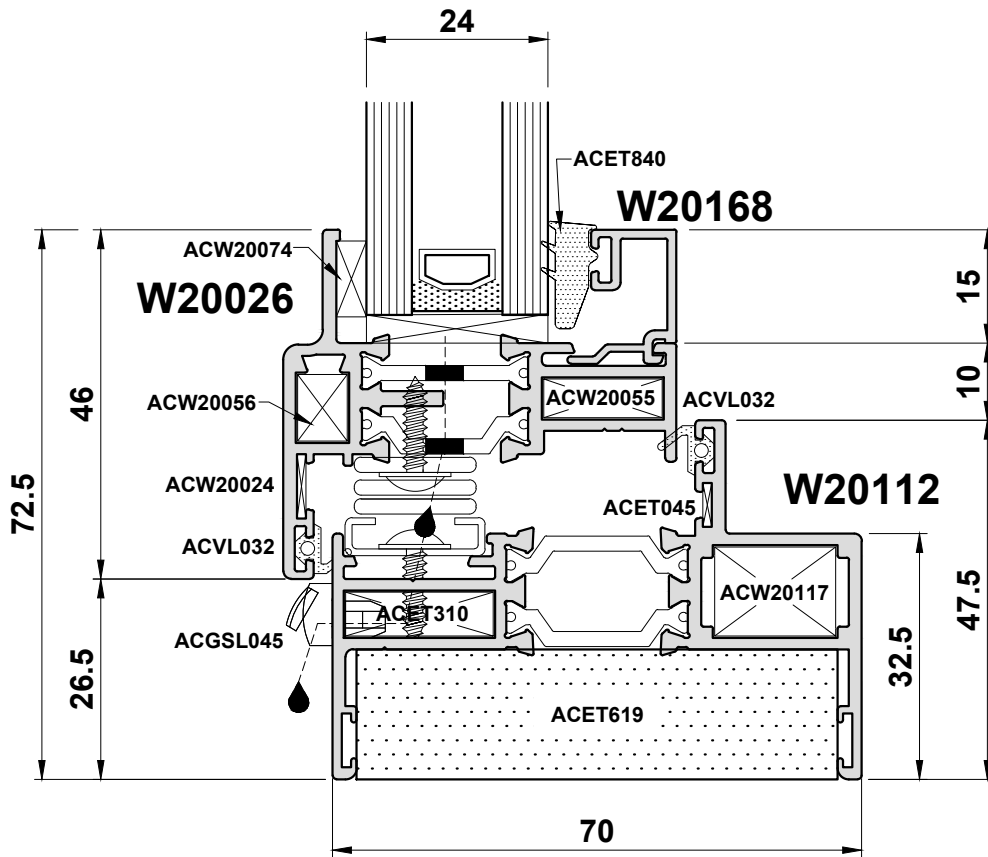
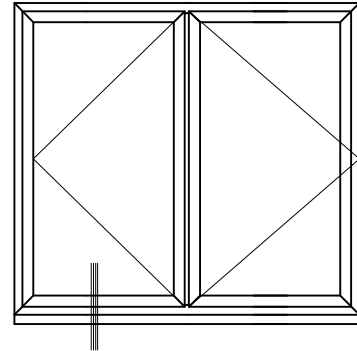
Do Not Scale From This Drawing

Detail 4G



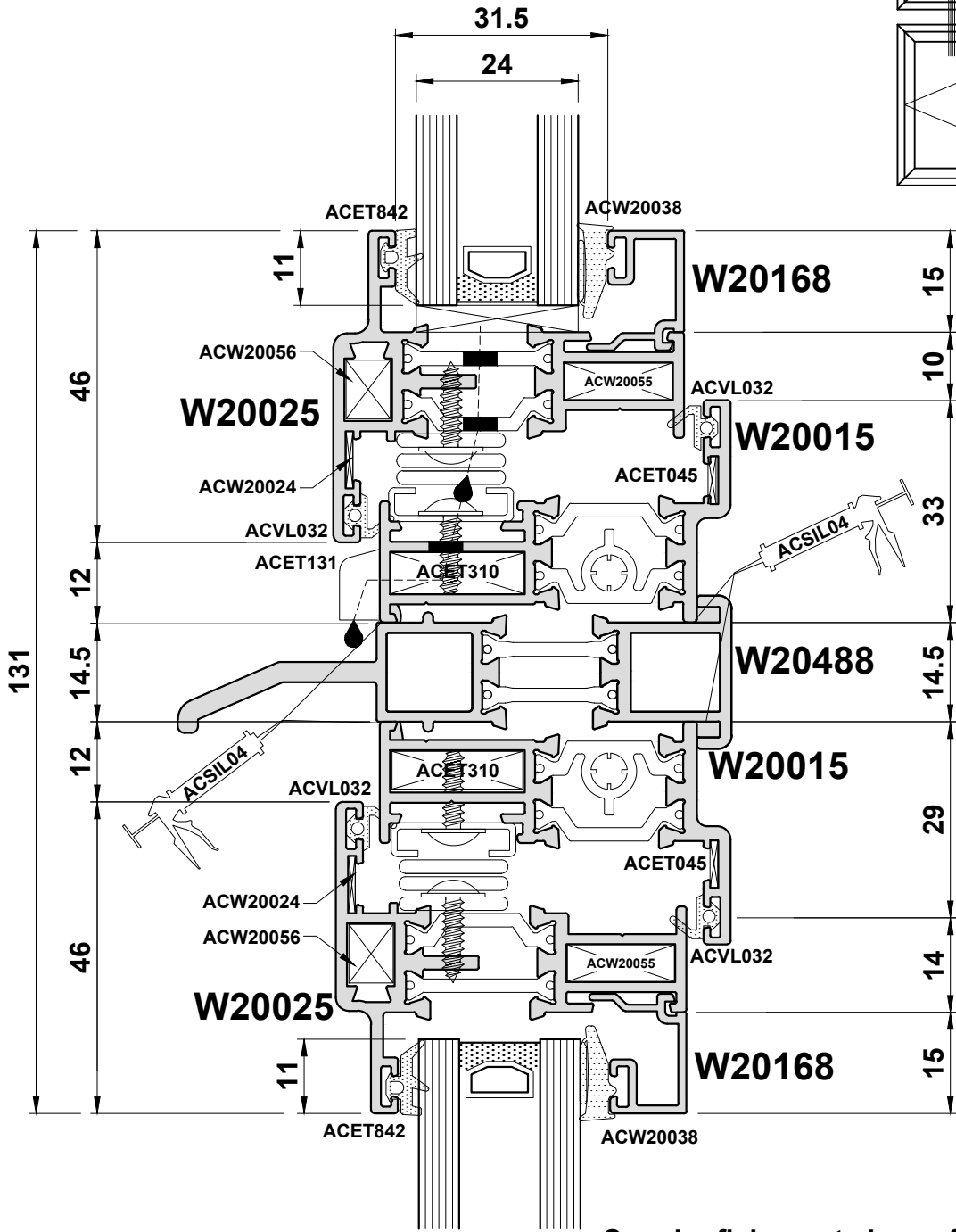
Do Not Scale From This Drawing

Detail 4H



Do Not Scale From This Drawing

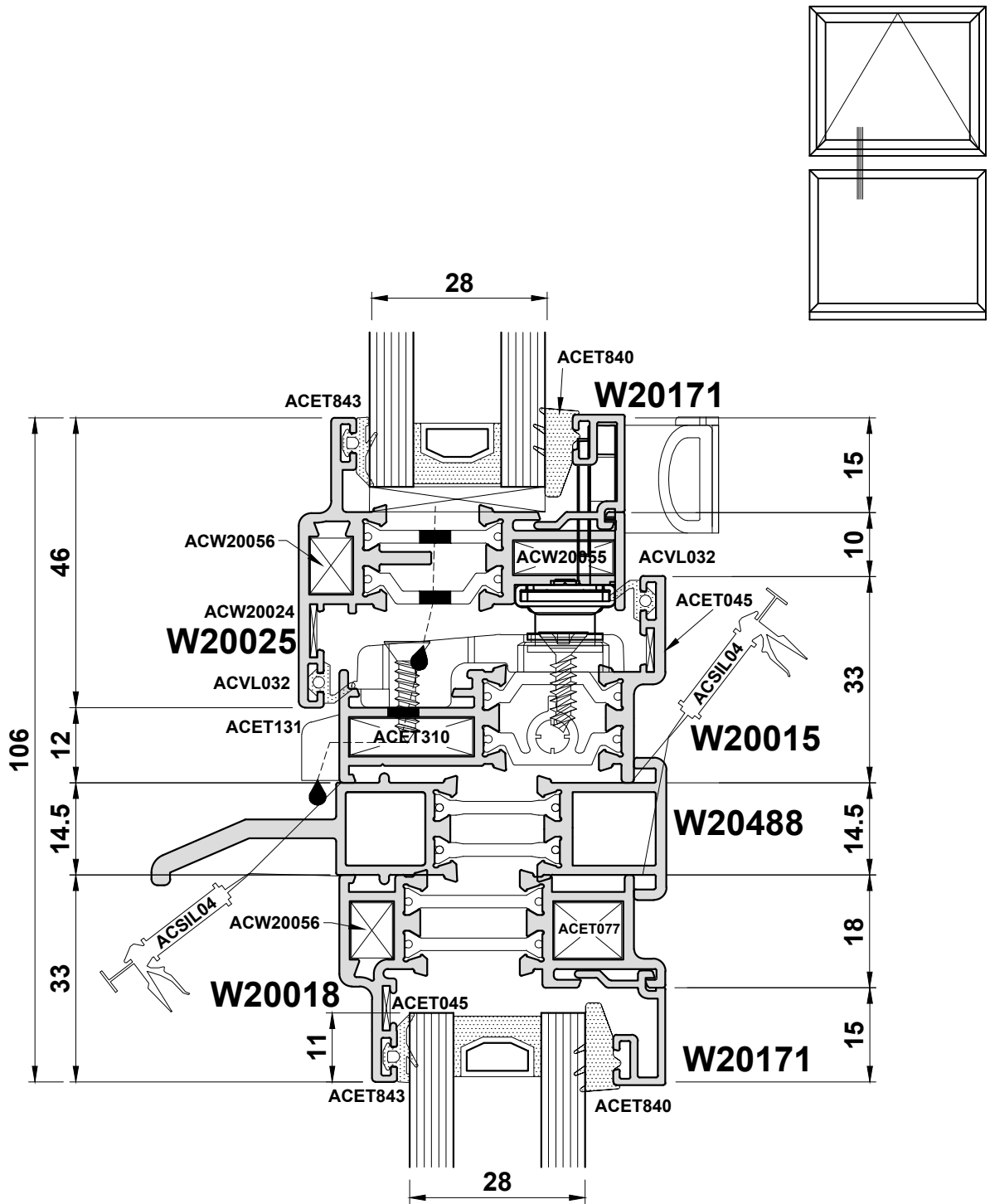
Detail 5



Coupler fixing not shown for clarity

Do Not Scale From This Drawing

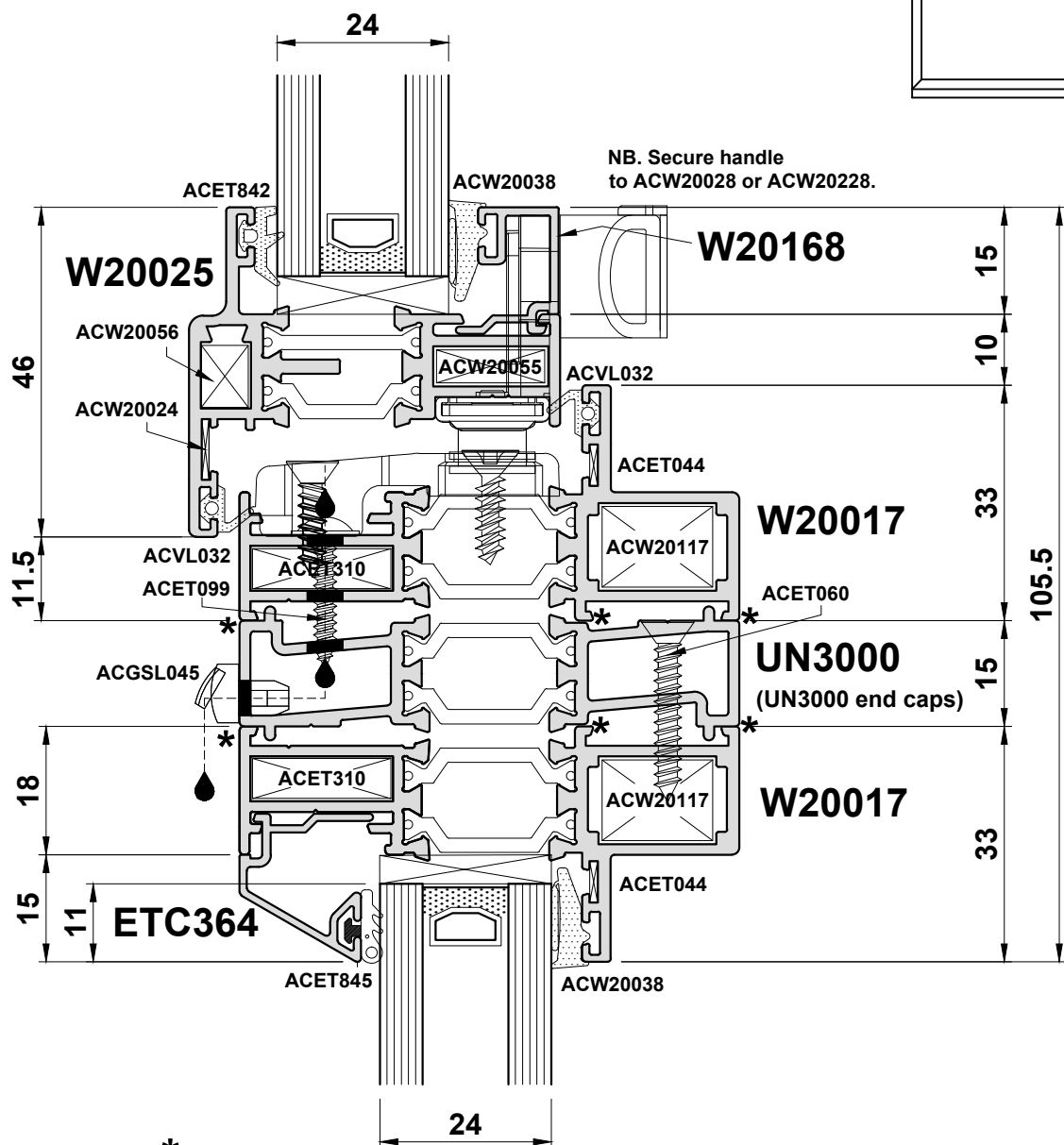
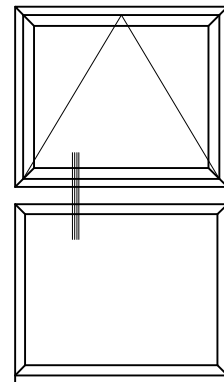
Detail 6A



Coupler fixing not shown for clarity

Do Not Scale From This Drawing

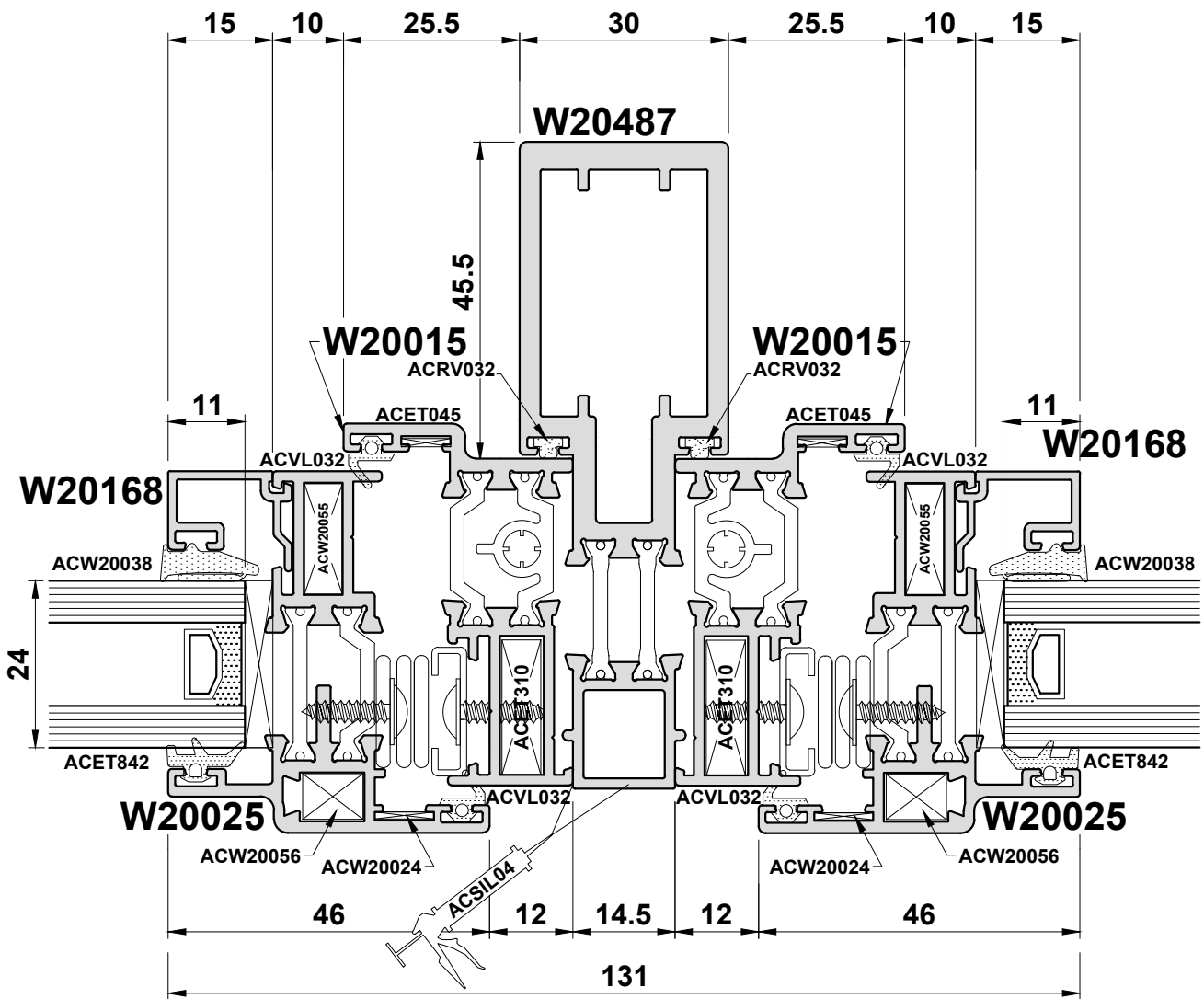
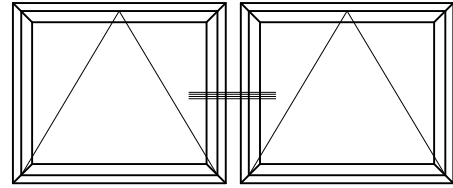
Detail 6B



Coupler fixing not shown for clarity

Do Not Scale From This Drawing

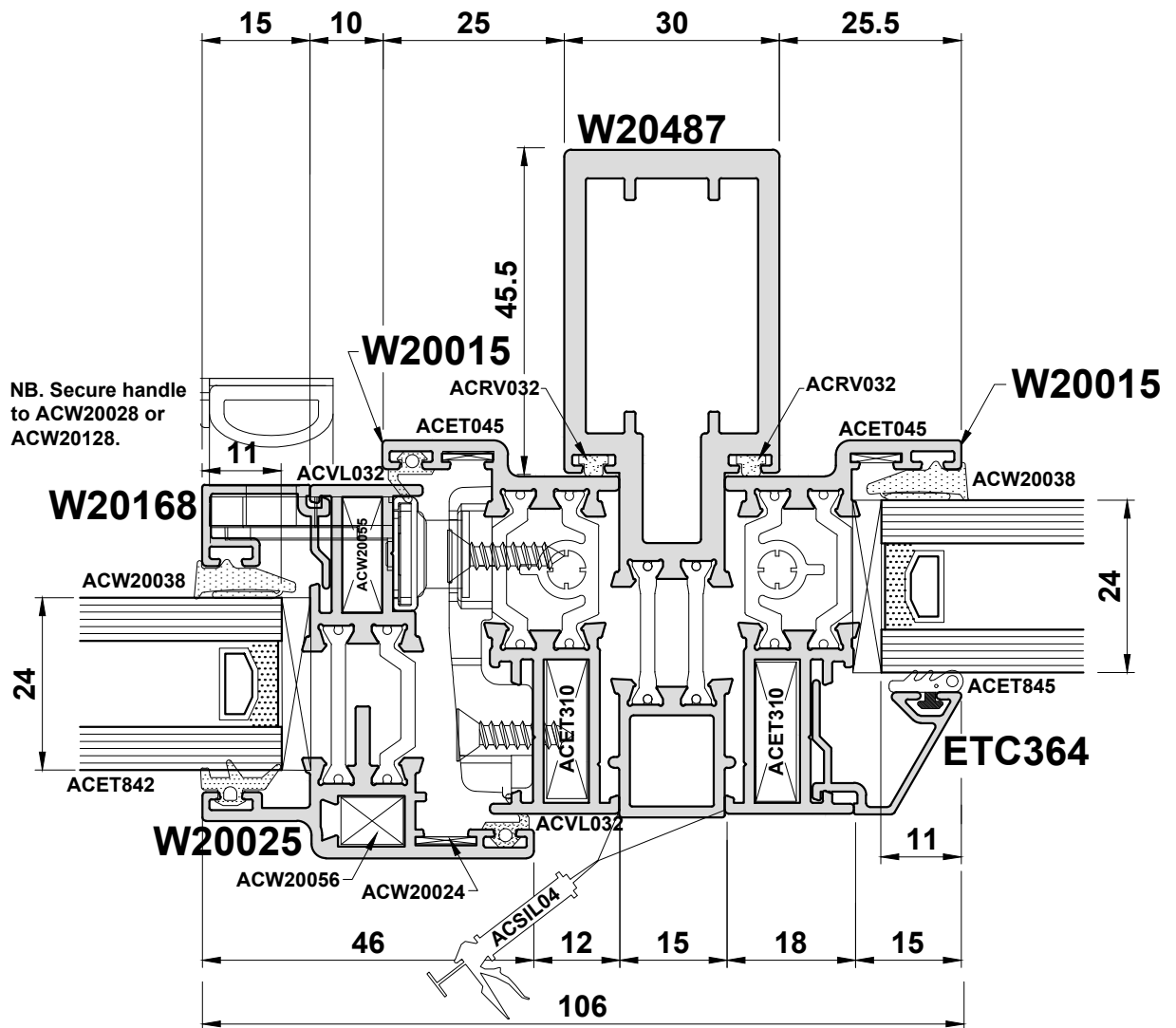
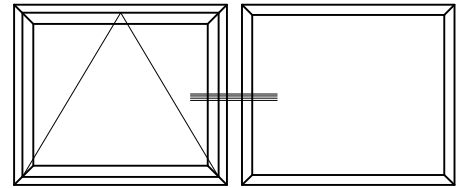
Detail 7



Coupler fixing not shown for clarity

Do Not Scale From This Drawing

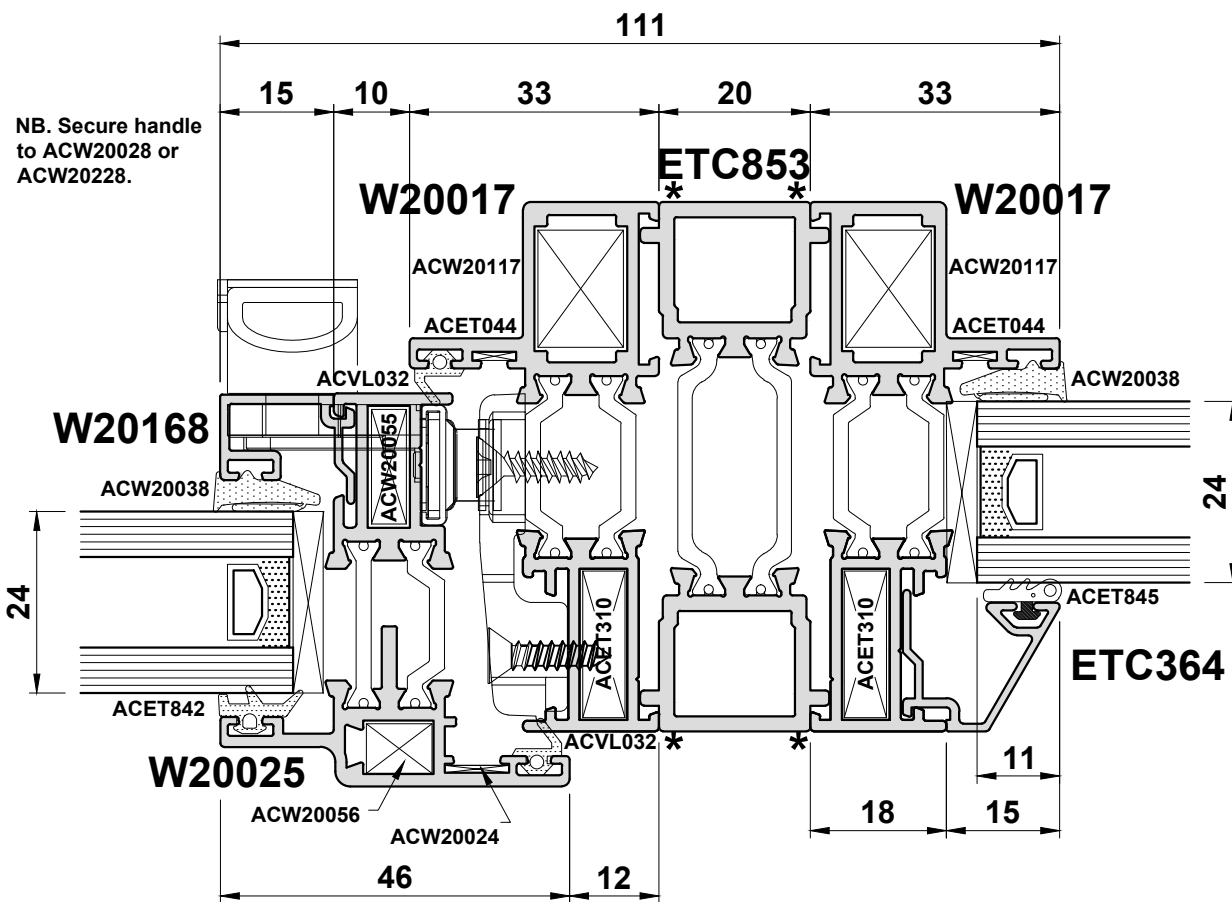
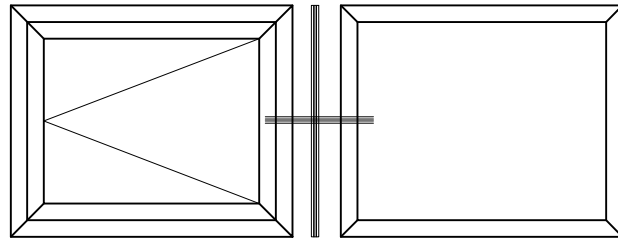
Detail 8A



Coupler fixing not shown for clarity

Do Not Scale From This Drawing

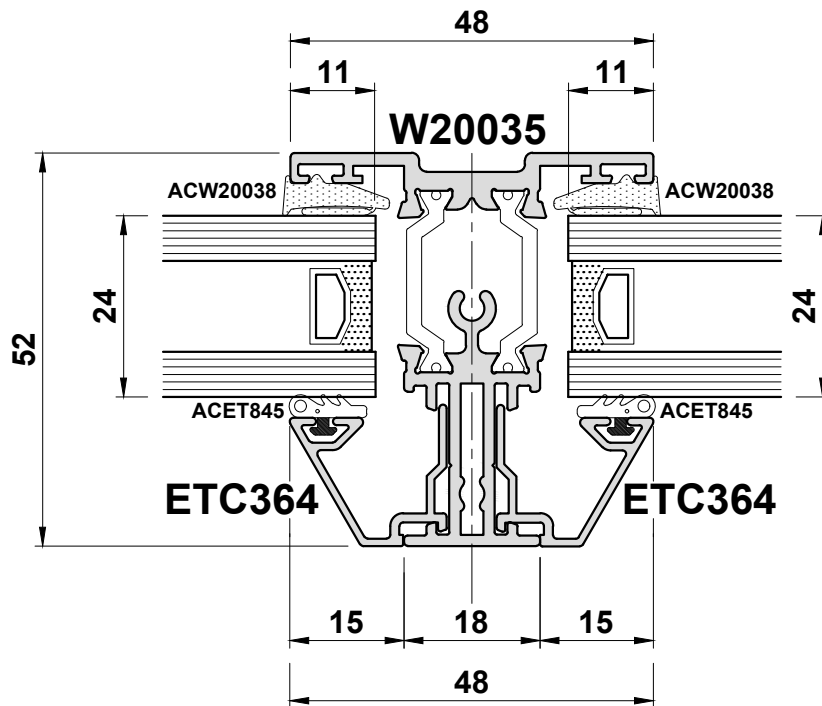
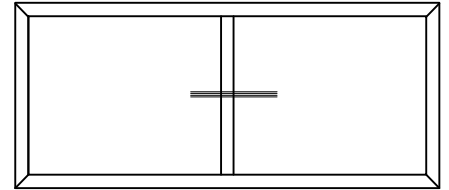
Detail 8B



Coupler fixing not shown for clarity

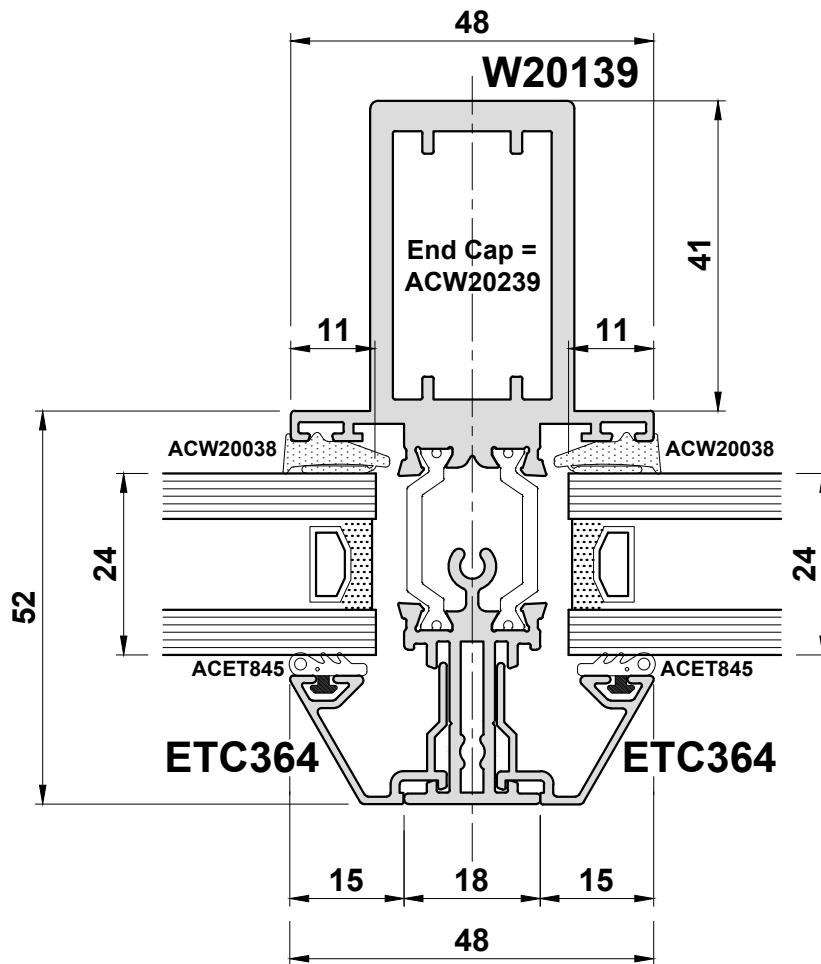
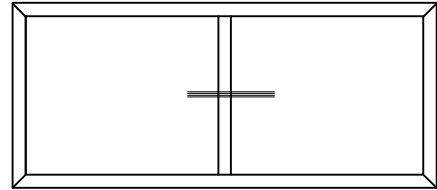
Do Not Scale From This Drawing

Detail 9A



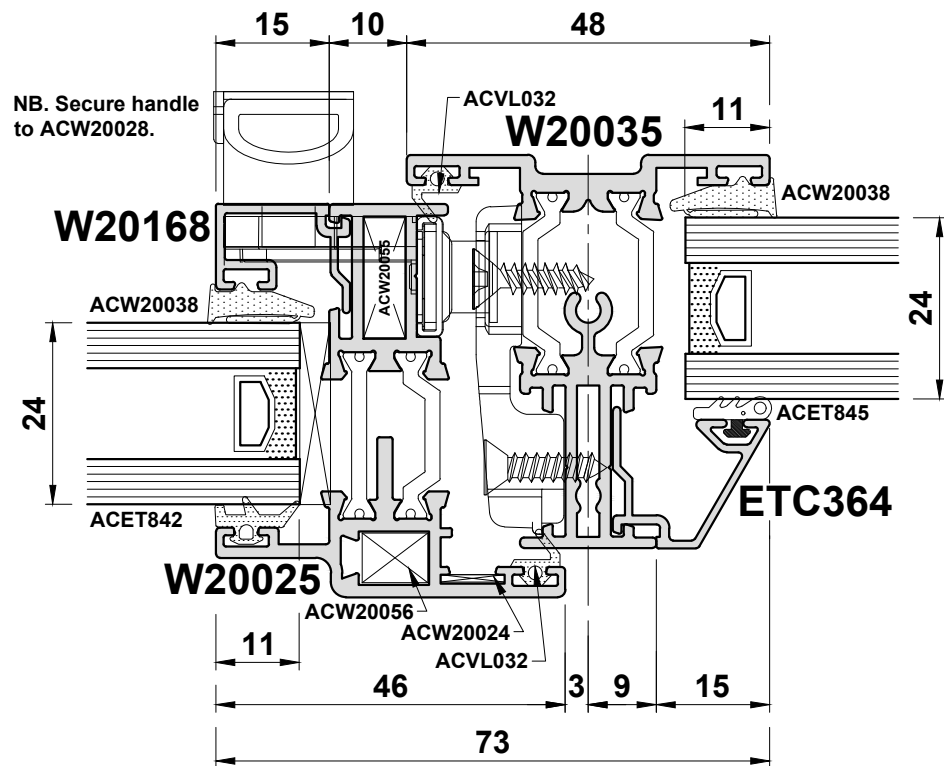
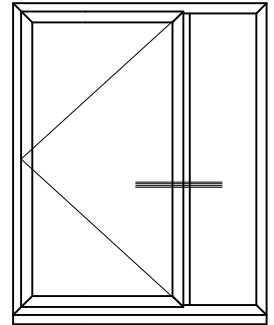
Do Not Scale From This Drawing

Detail 9B



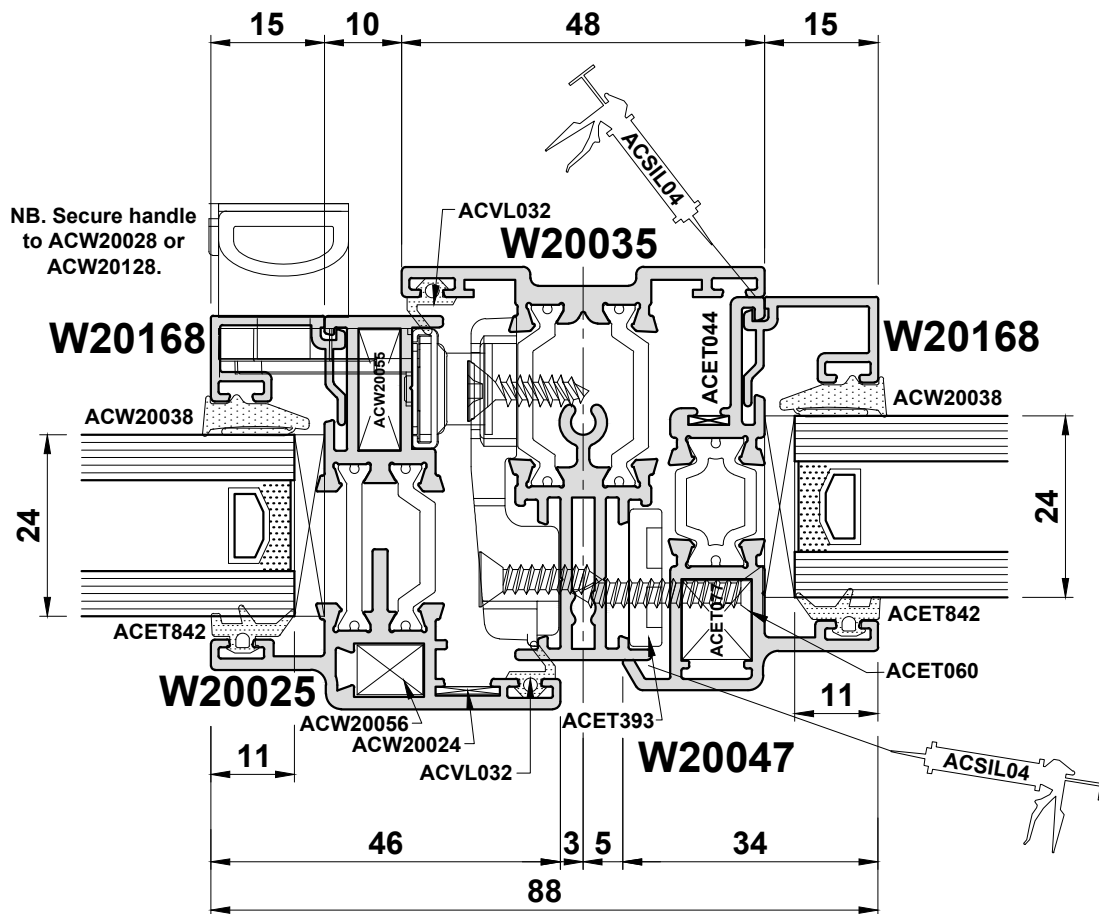
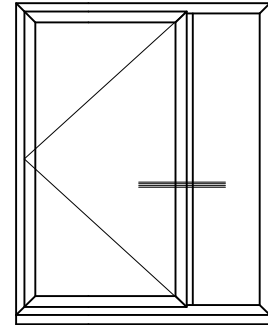
Do Not Scale From This Drawing

Detail 10A



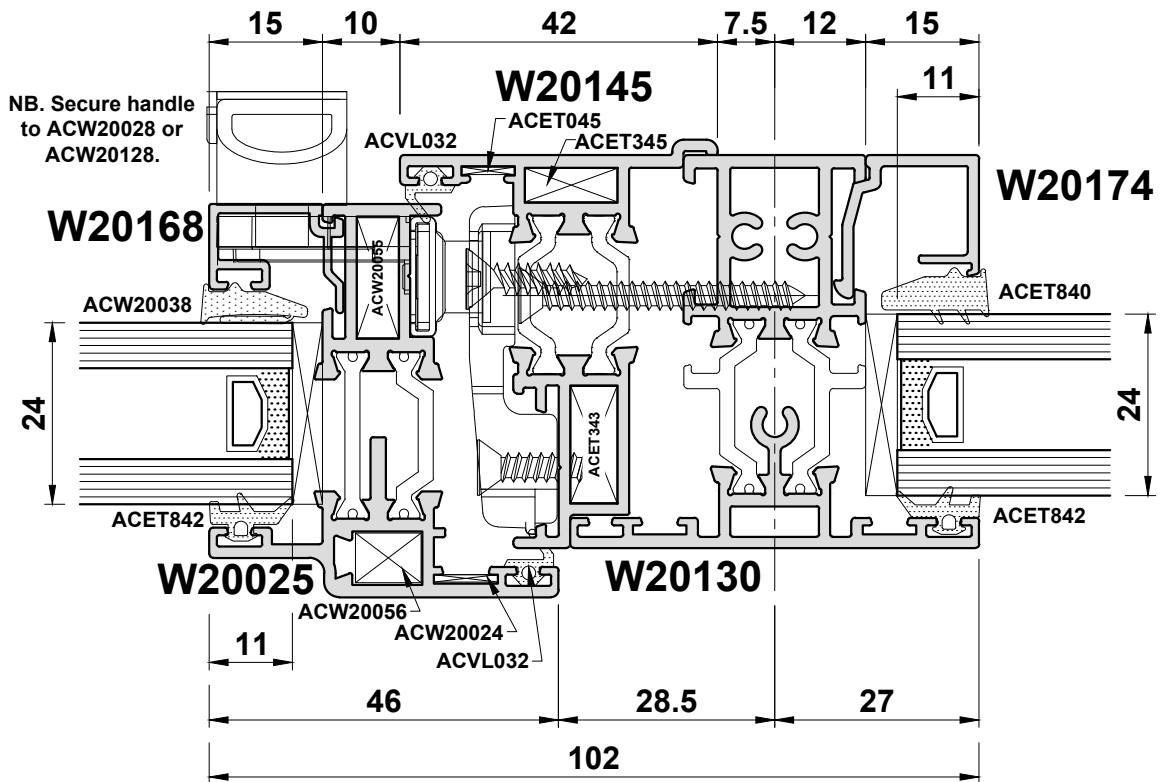
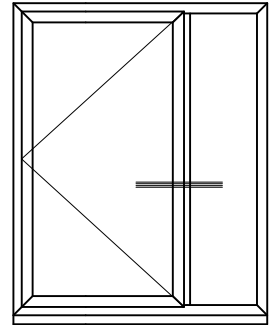
Do Not Scale From This Drawing

Detail 10B



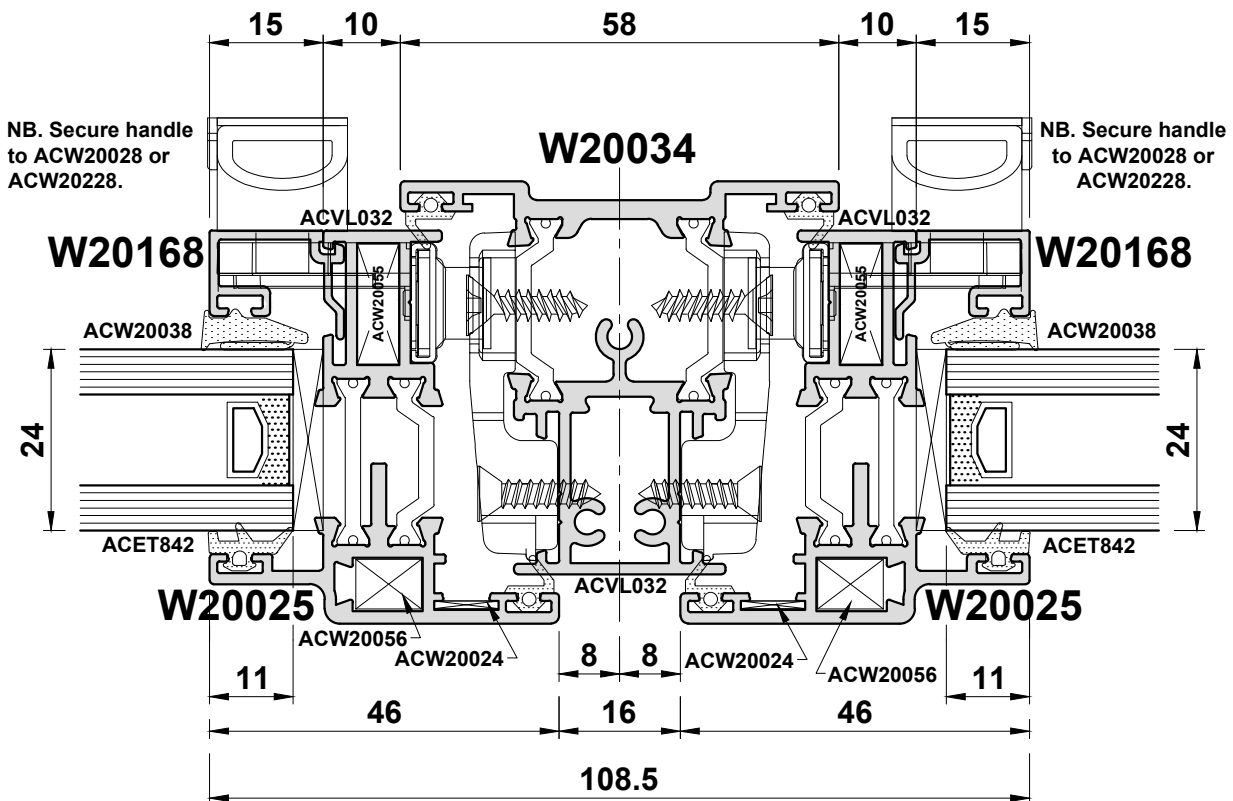
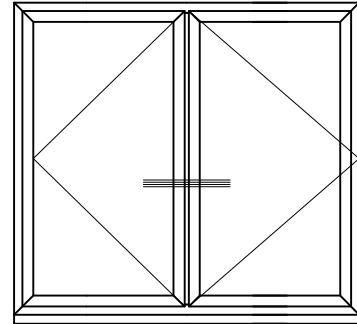
Do Not Scale From This Drawing

Detail 10C



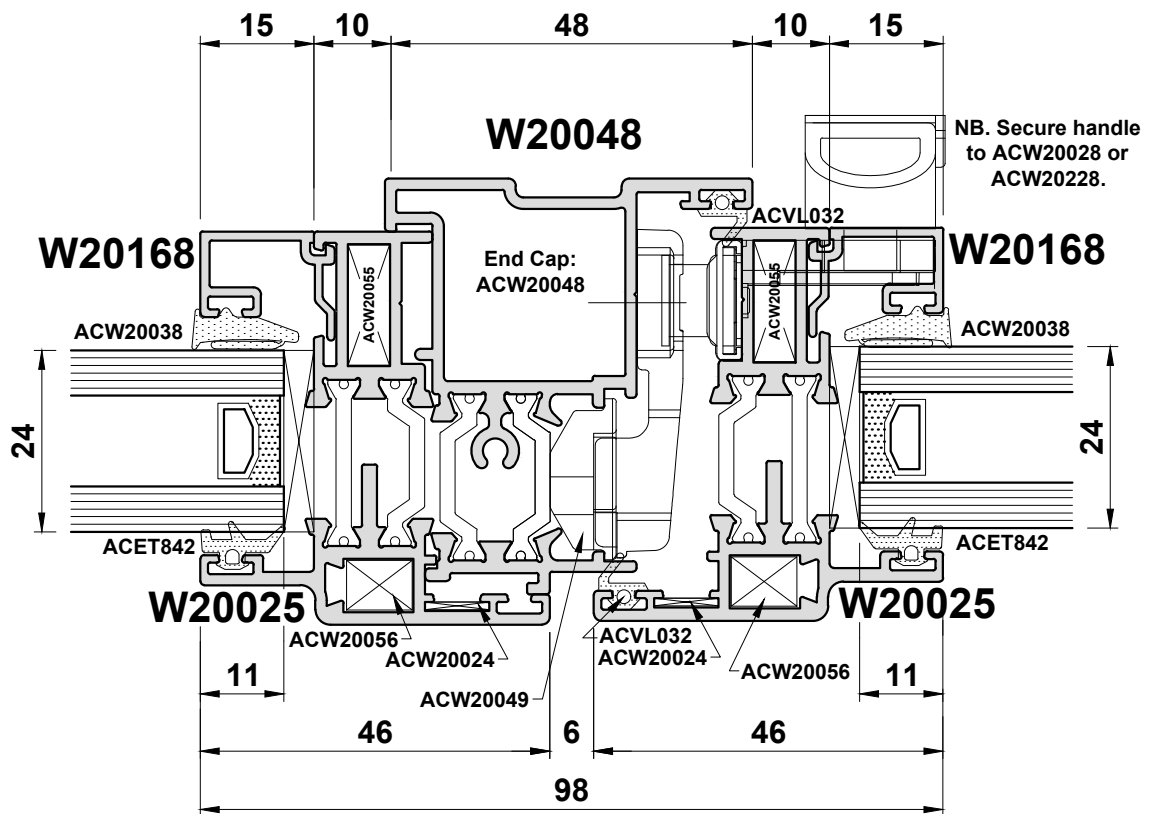
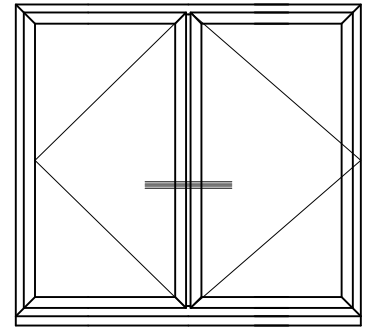
Do Not Scale From This Drawing

Detail 11A



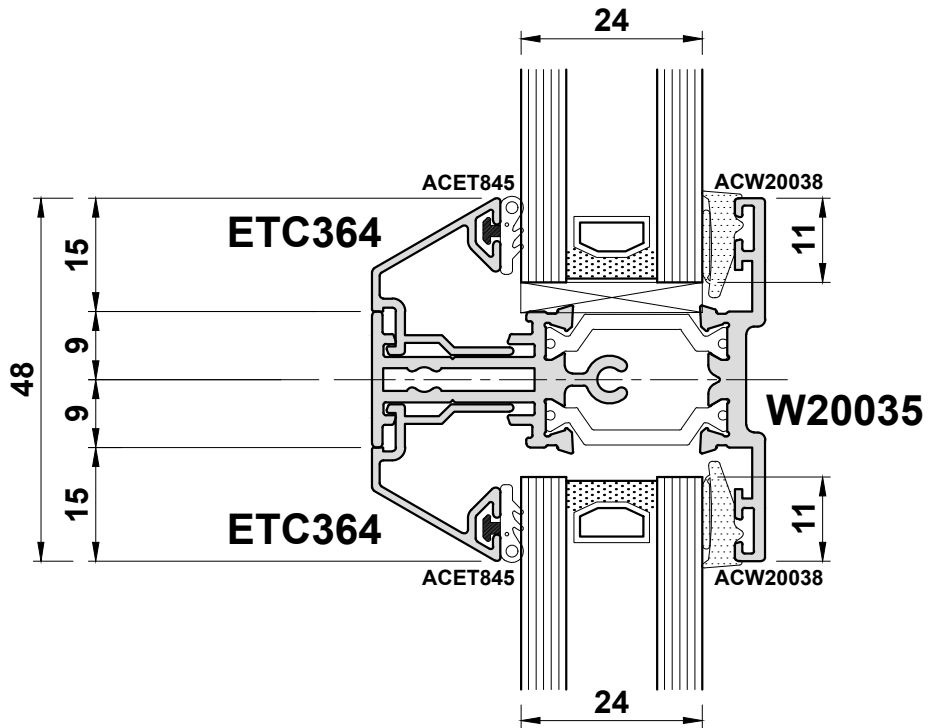
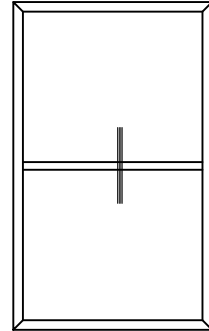
Do Not Scale From This Drawing

Detail 11B



Do Not Scale From This Drawing

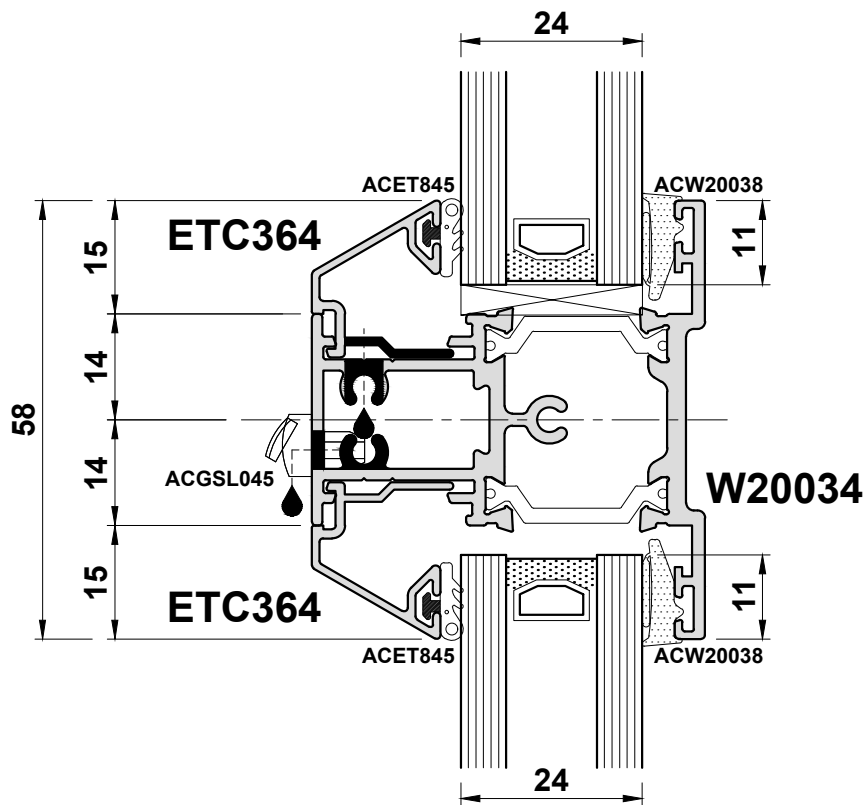
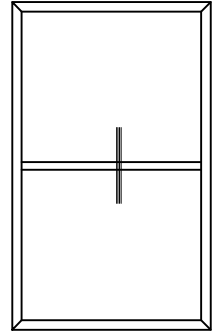
Detail 12A



Note: Transoms will drain through the joint to the outerframe.

Do Not Scale From This Drawing

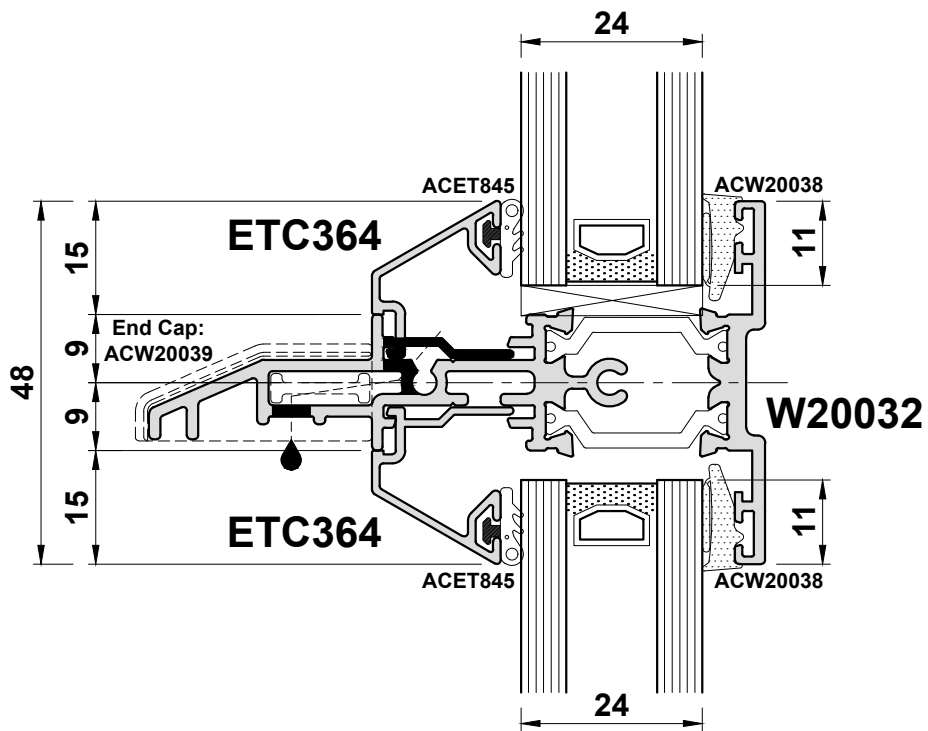
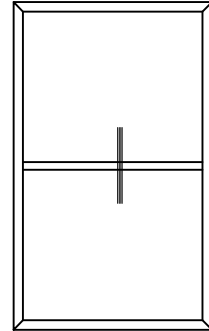
Detail 12B



Note: Transoms will drain through the join to the outerframe.

Do Not Scale From This Drawing

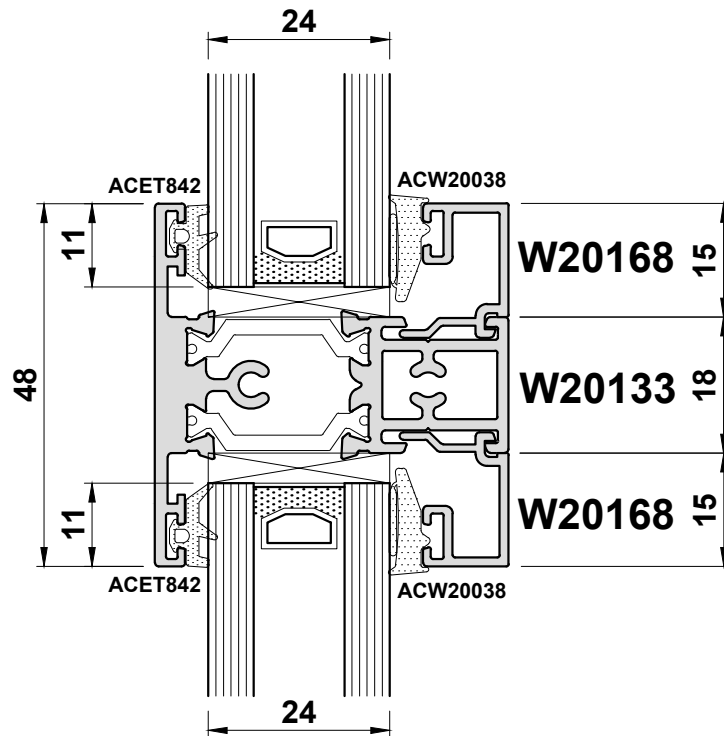
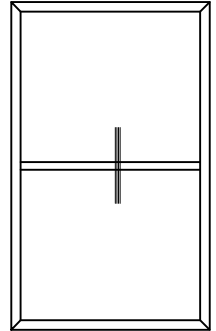
Detail 12C



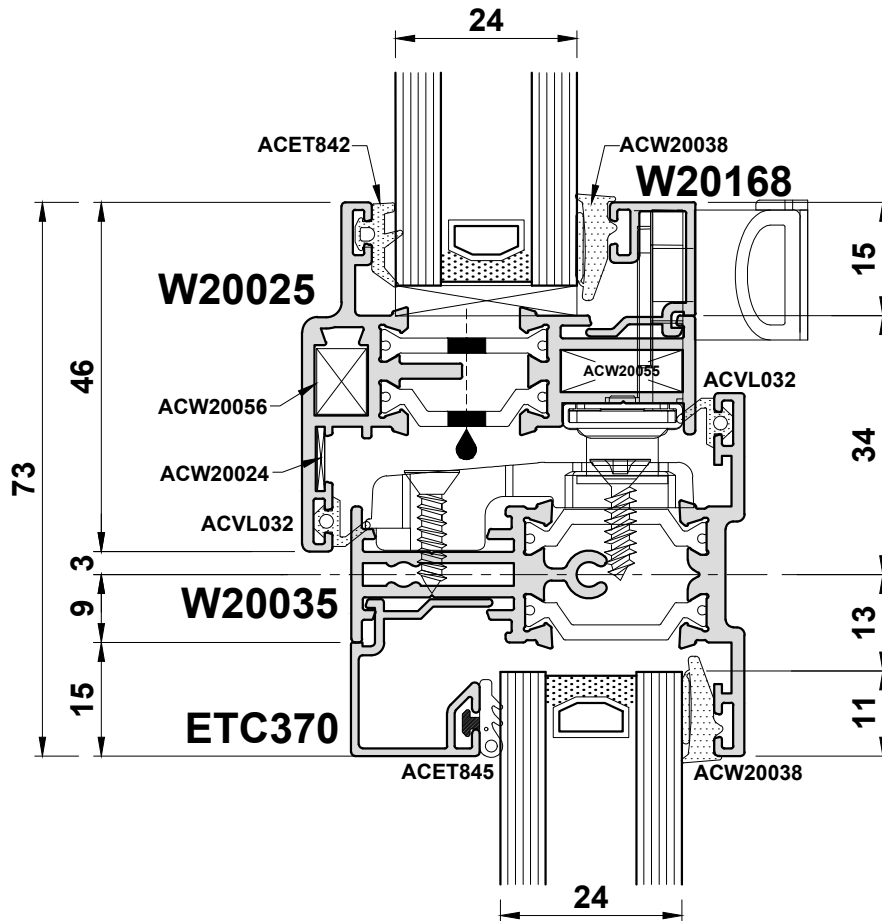
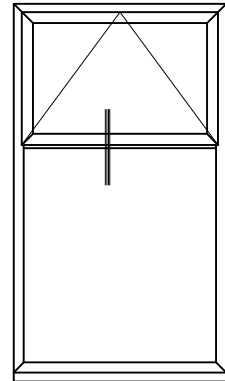
Note: Transoms will drain through the joint to the outerframe.

Do Not Scale From This Drawing

Detail 12D



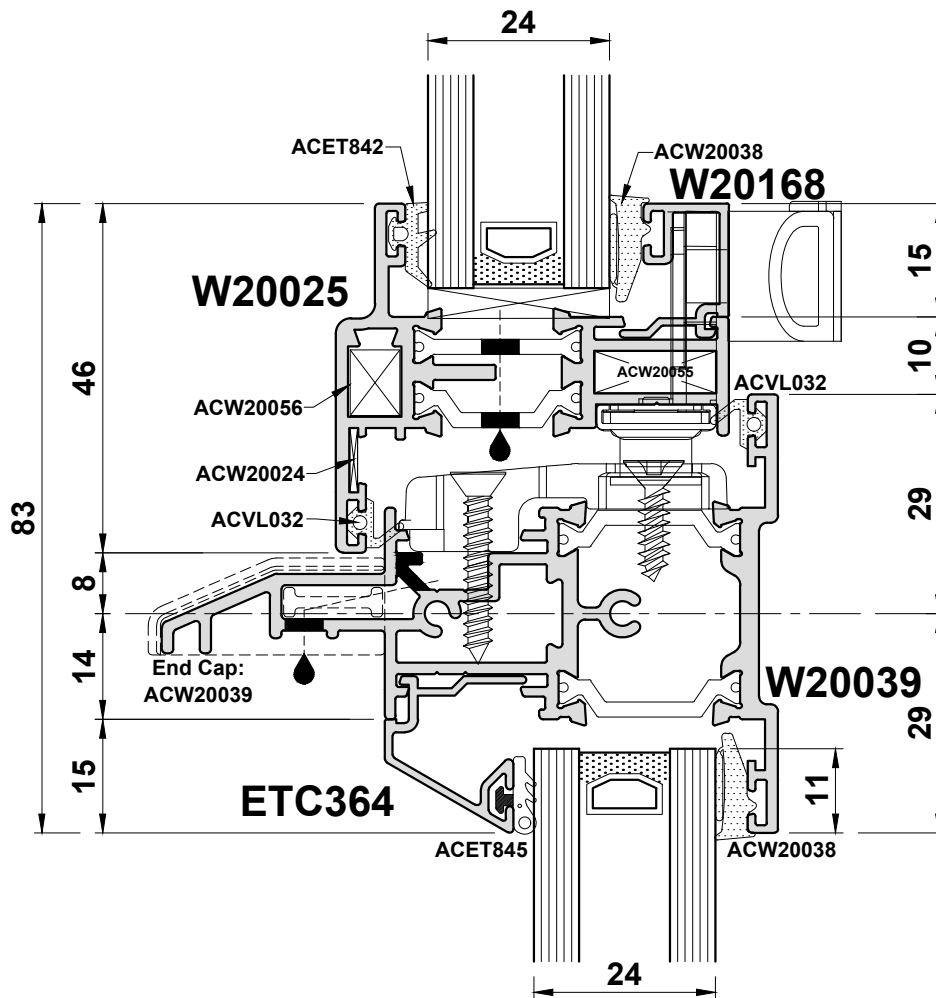
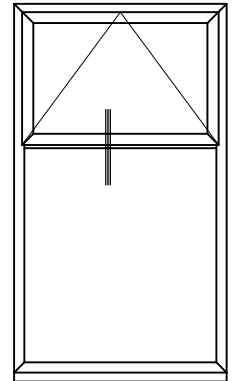
Do Not Scale From This Drawing



Note: Transoms will drain through the join to the outerframe.

Do Not Scale From This Drawing

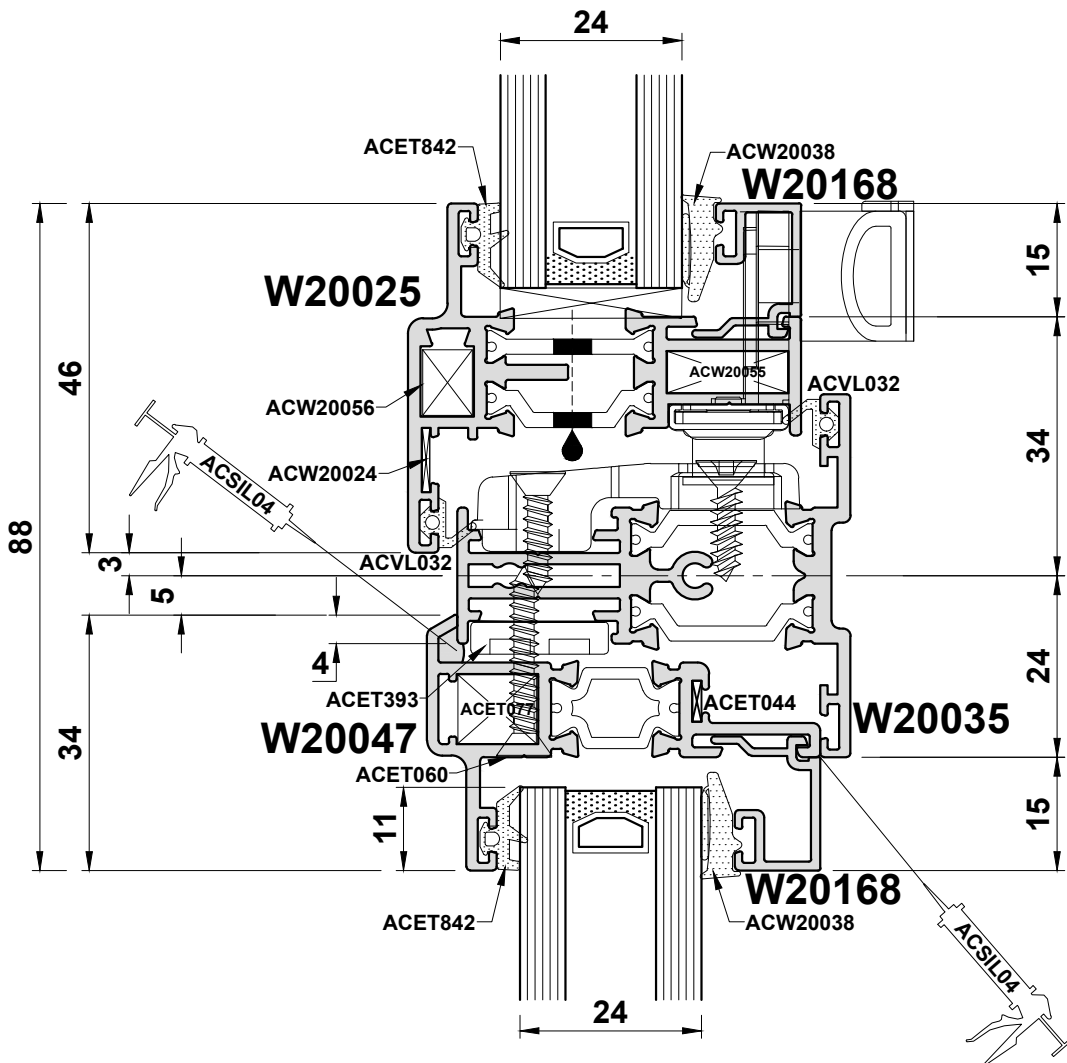
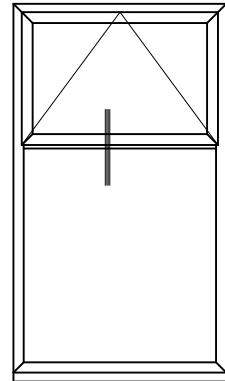
Detail 13B



Note: Transoms will drain through the join to the outerframe.

Do Not Scale From This Drawing

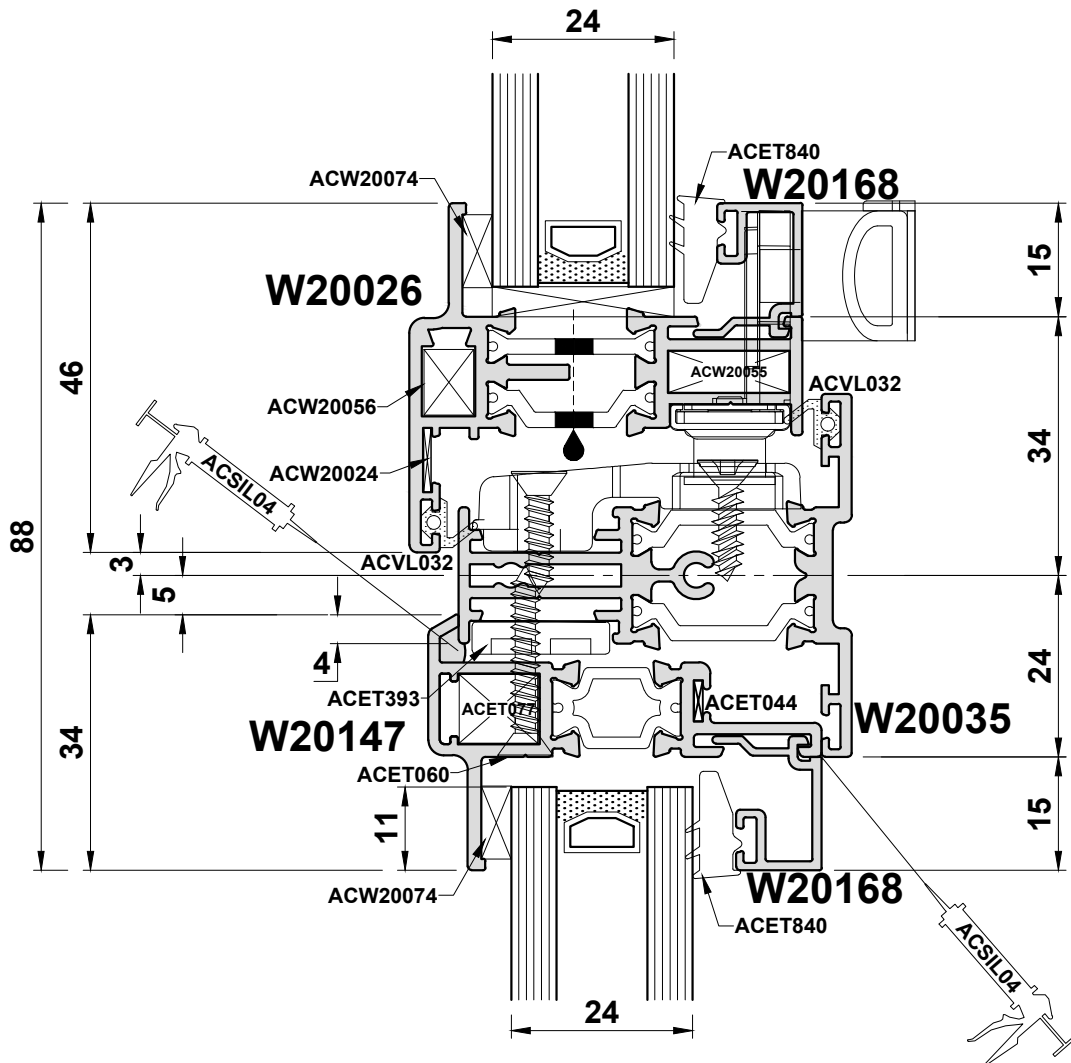
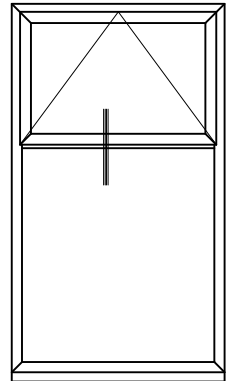
Detail 13C



Note: Transoms will drain through the join to the outerframe.

Do Not Scale From This Drawing

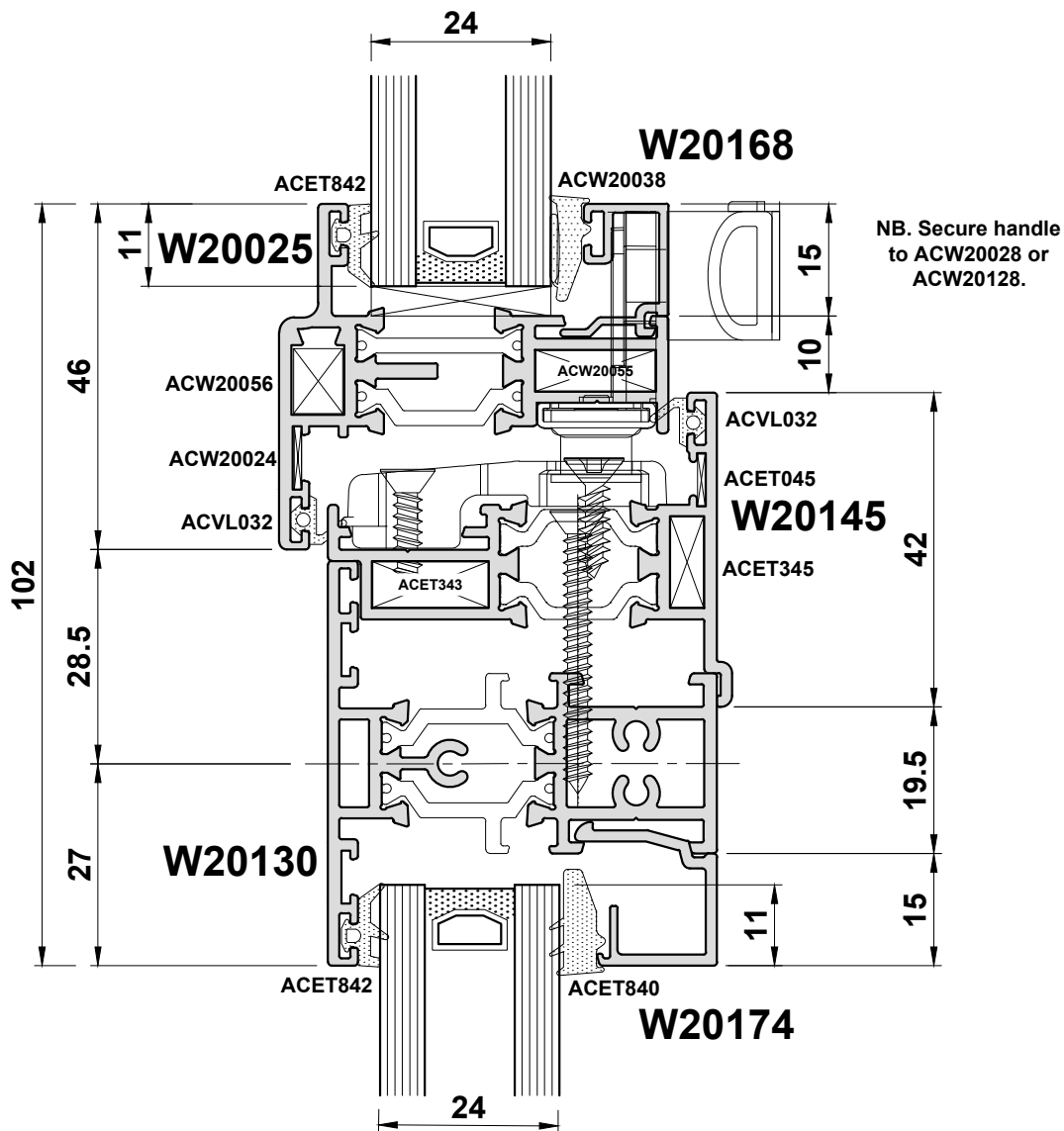
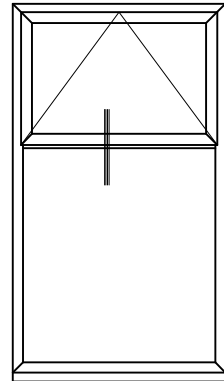
Detail 13D



Note: Transoms will drain through the joint to the outerframe.

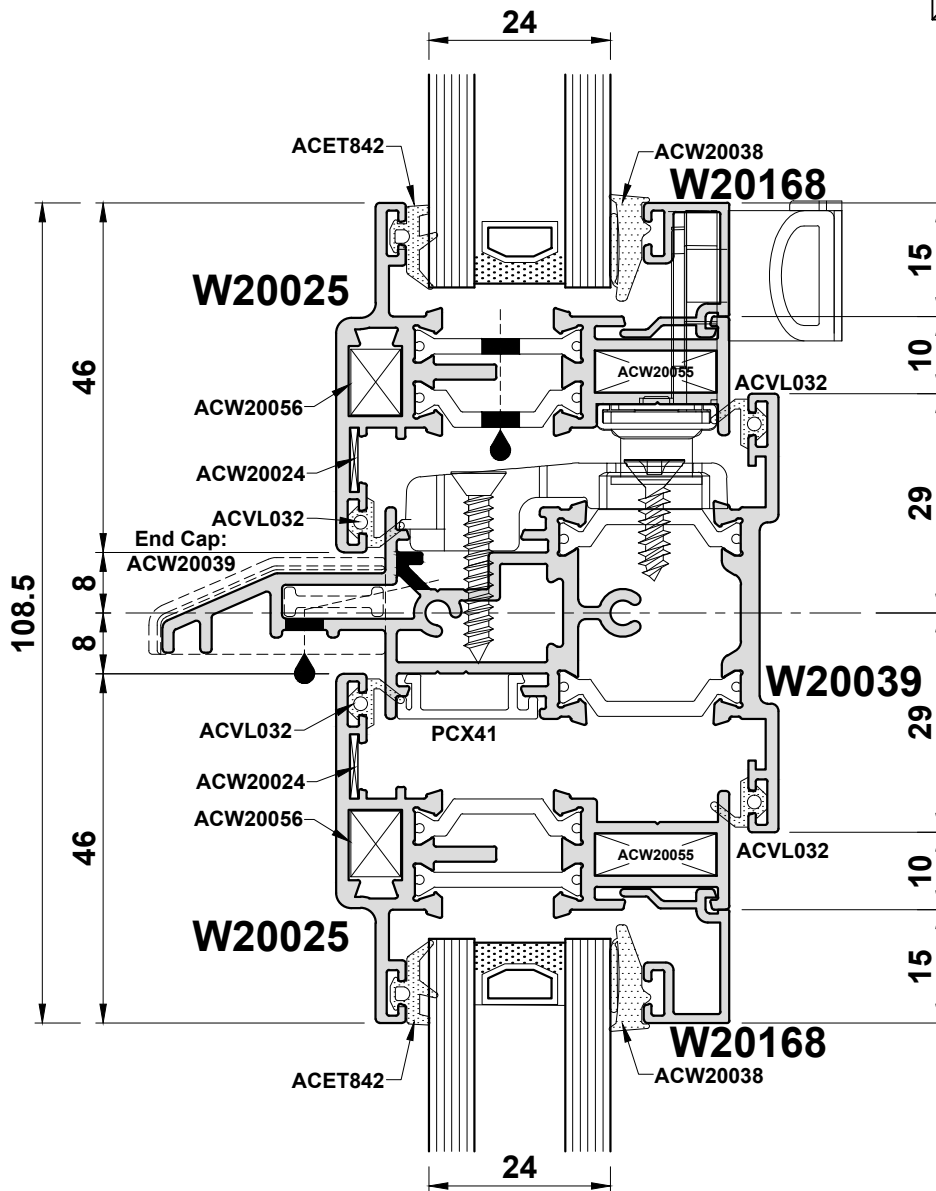
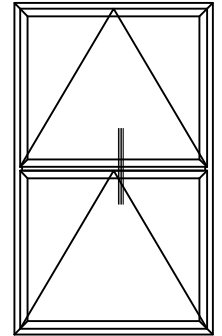
Do Not Scale From This Drawing

Detail 13E



Do Not Scale From This Drawing

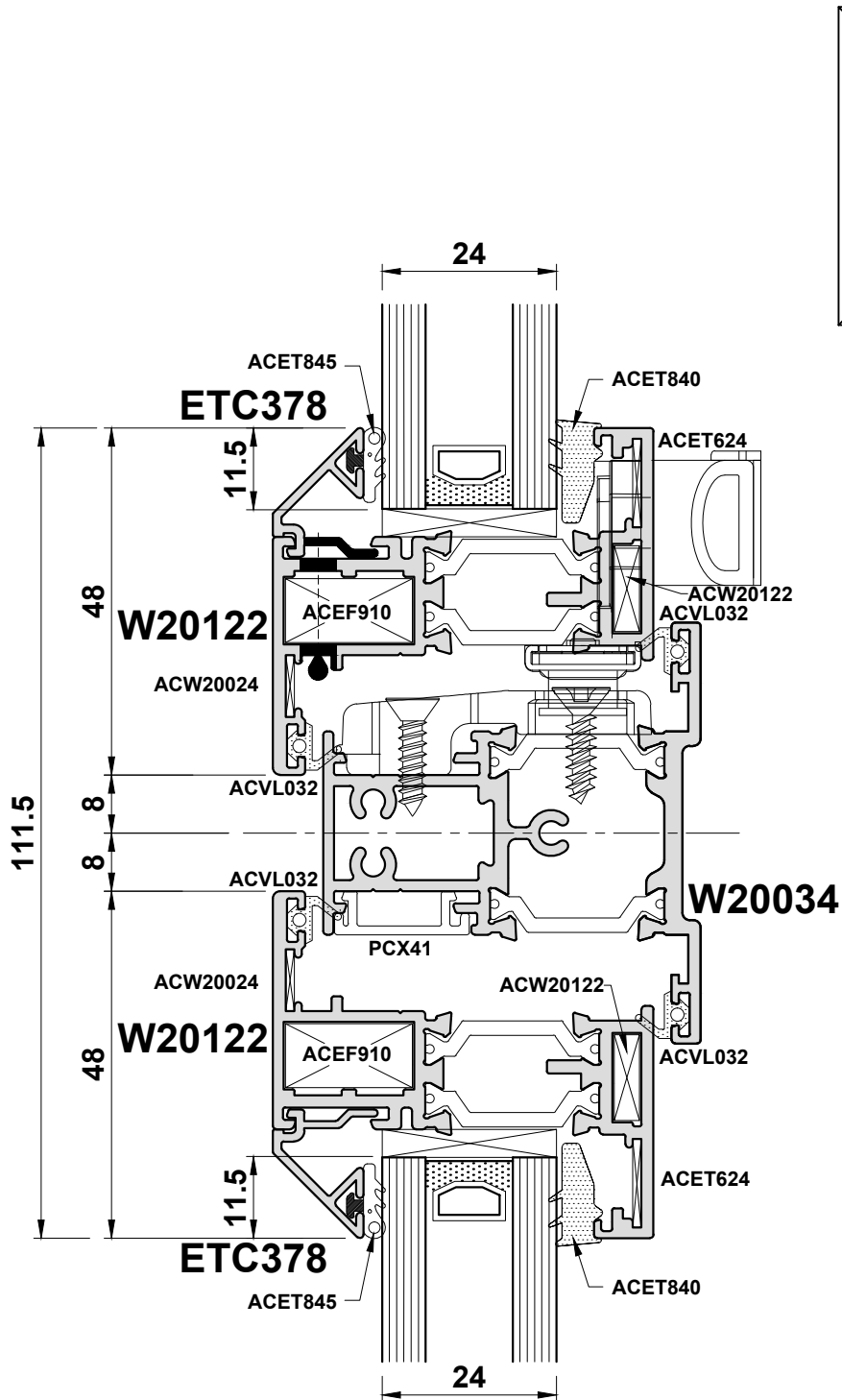
Detail 14A



Note: Transoms will drain through the join to the outerframe.

Do Not Scale From This Drawing

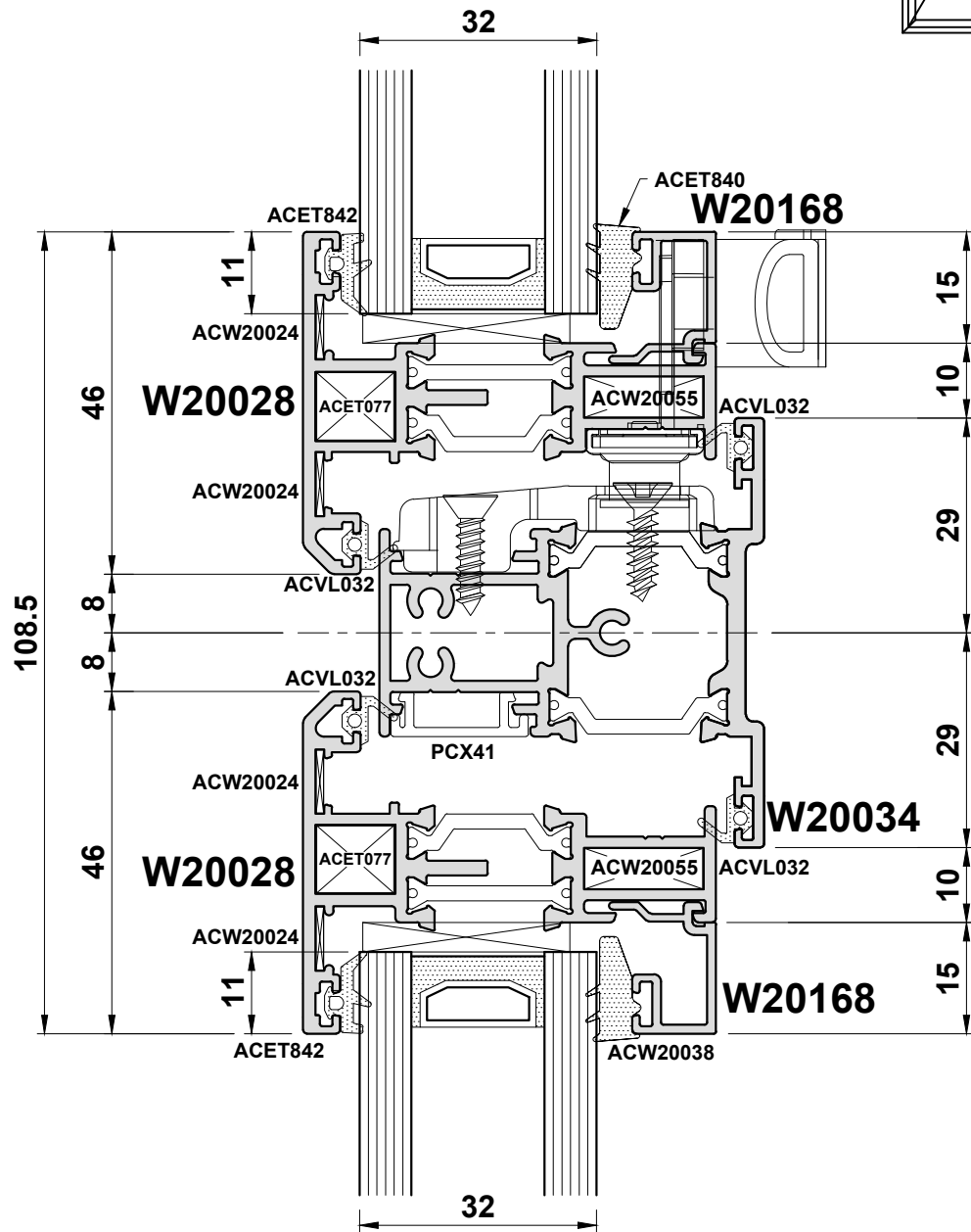
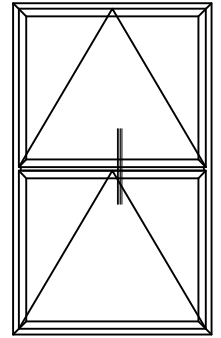
Detail 14B



Note: Transoms will drain through the join to the outerframe.

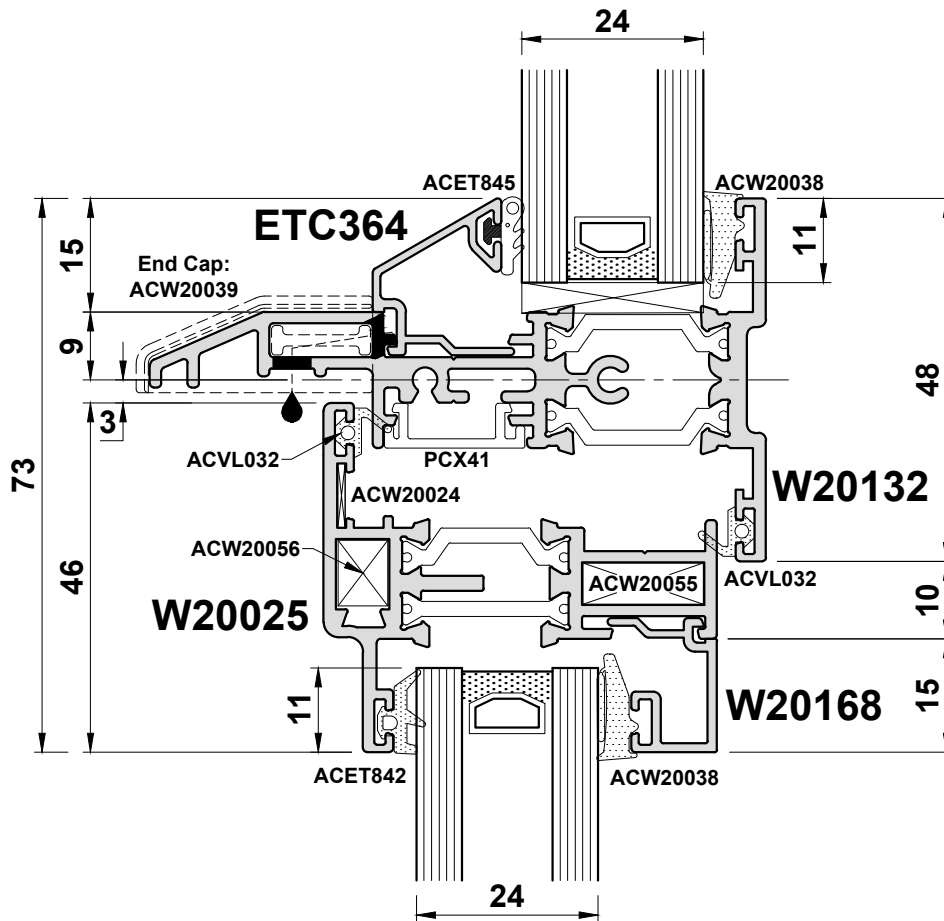
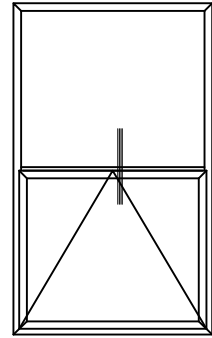
Do Not Scale From This Drawing

Detail 14C

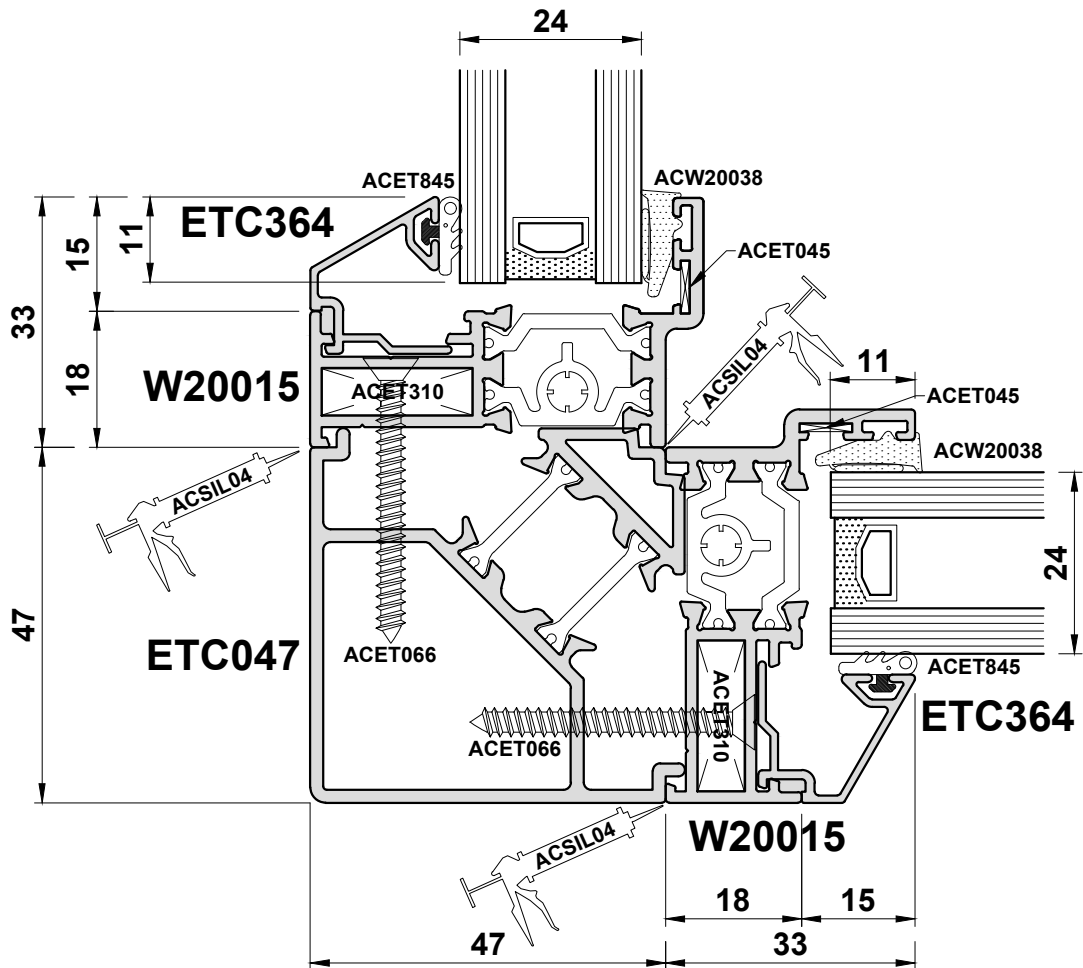
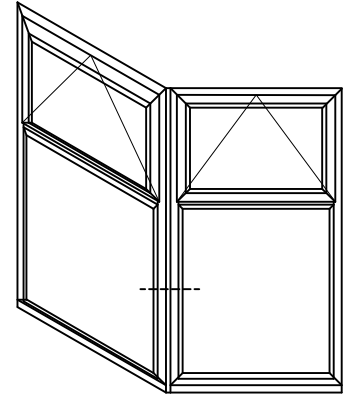


Do Not Scale From This Drawing

Detail 15

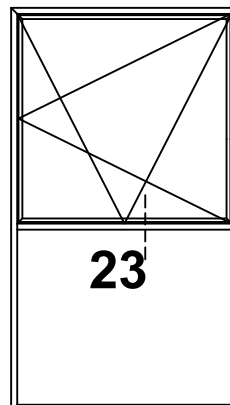
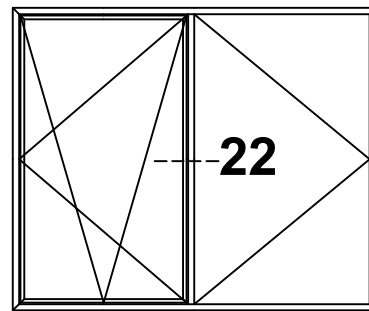
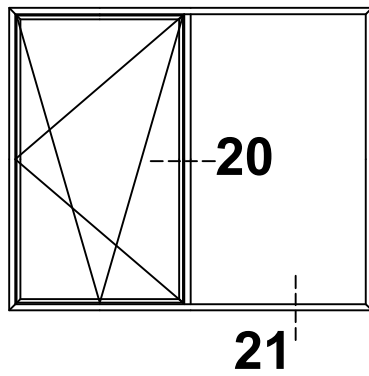
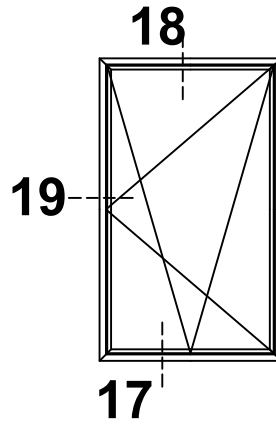


Do Not Scale From This Drawing



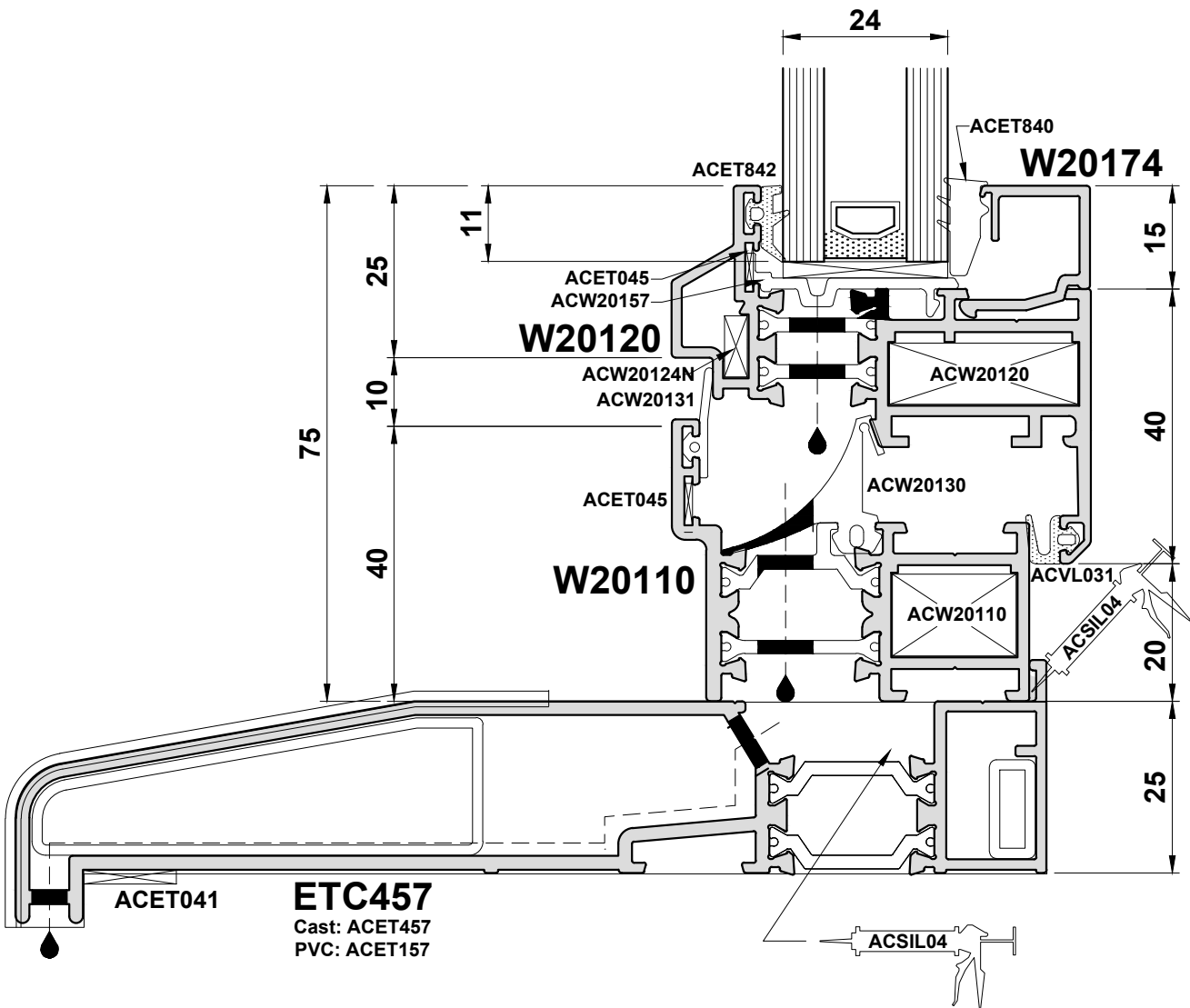
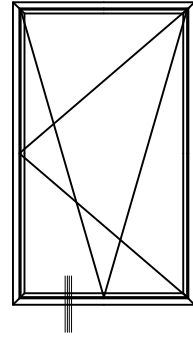
Do Not Scale From This Drawing

Detail



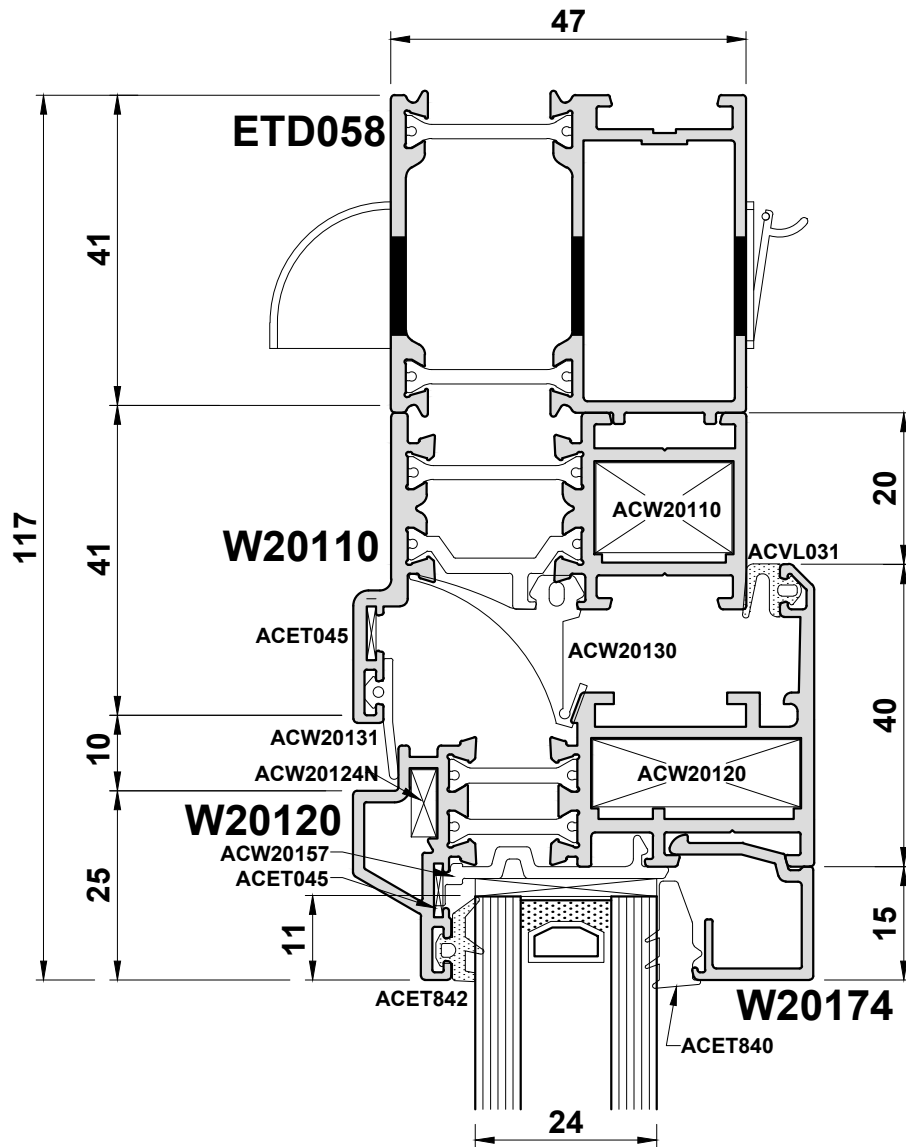
Do Not Scale From This Drawing

Detail 17



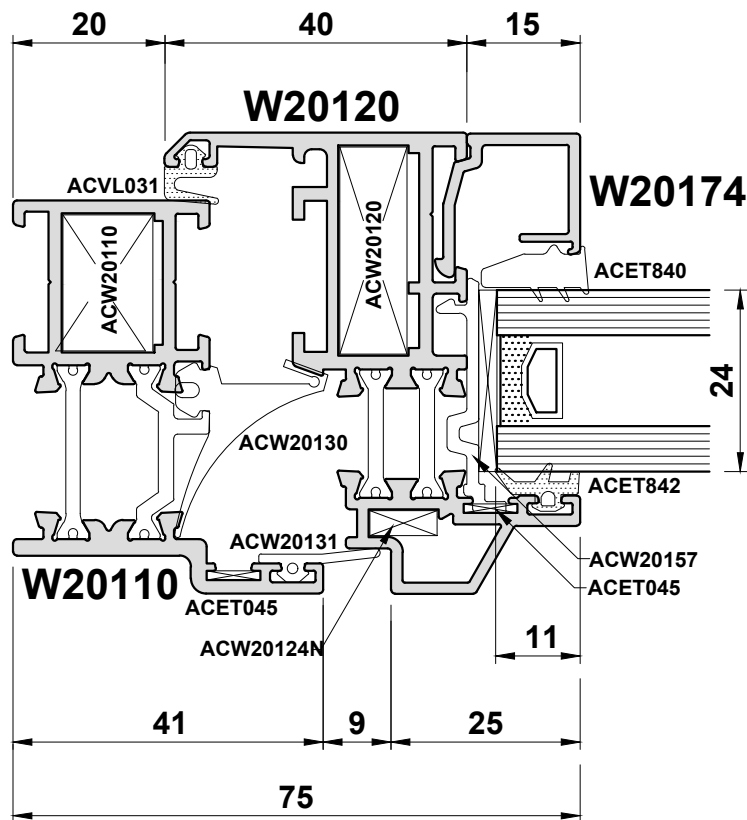
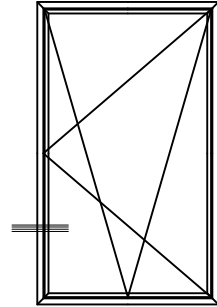
Do Not Scale From This Drawing

Detail 18



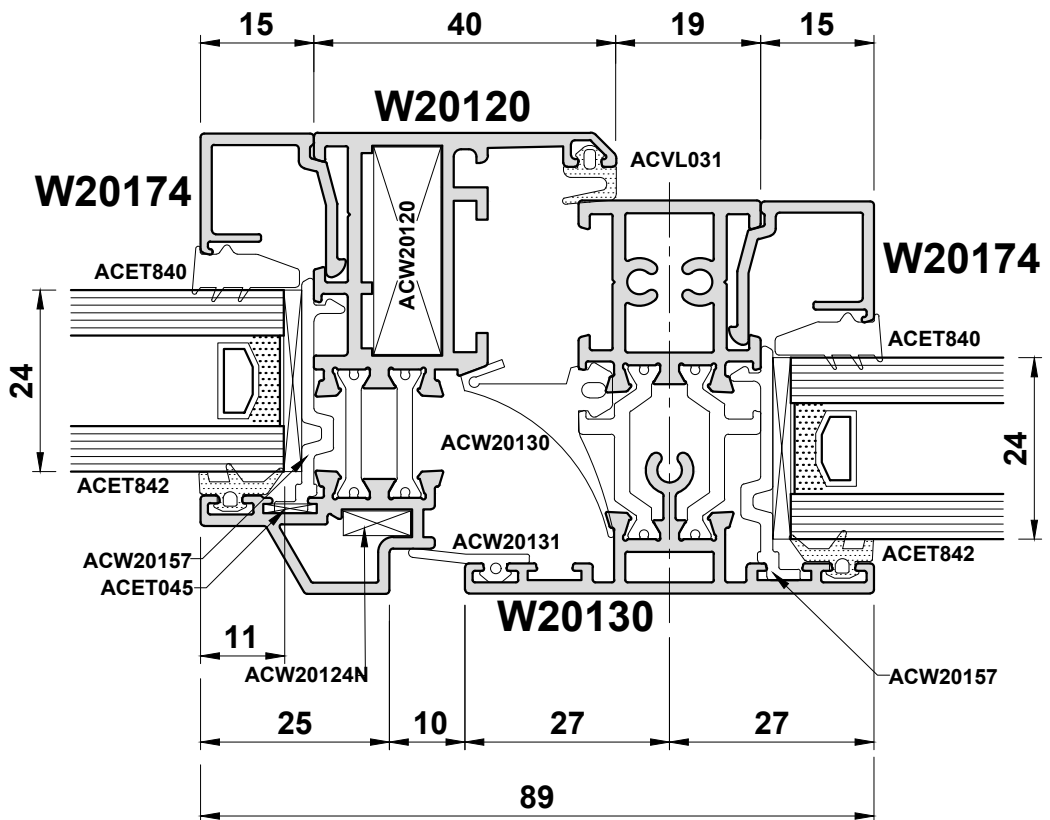
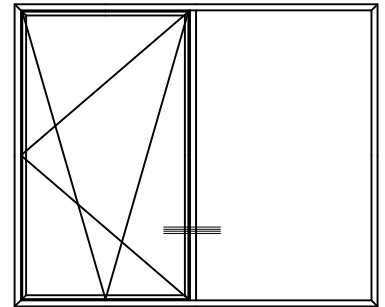
Do Not Scale From This Drawing

Detail 19



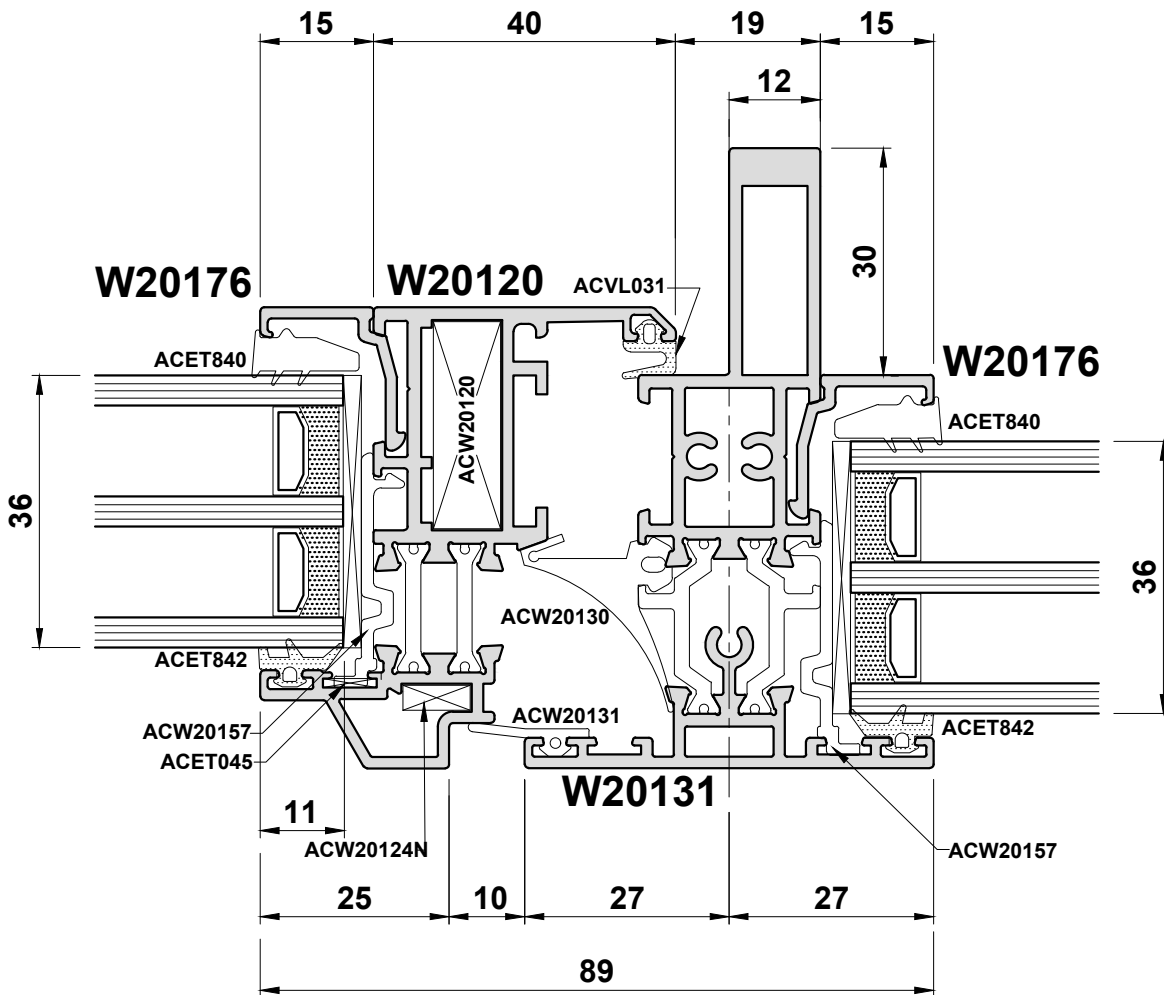
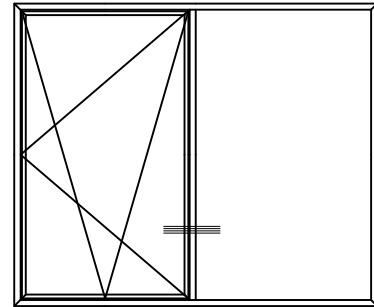
Do Not Scale From This Drawing

Detail 20A



Do Not Scale From This Drawing

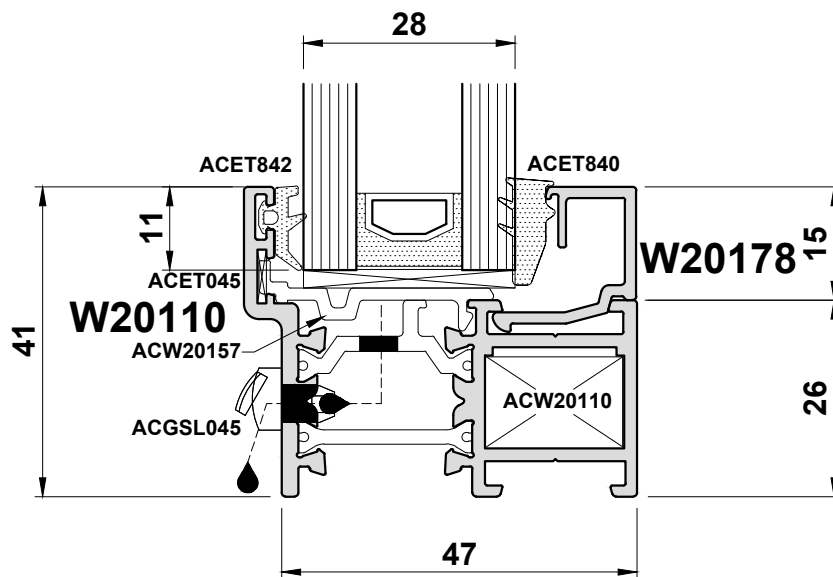
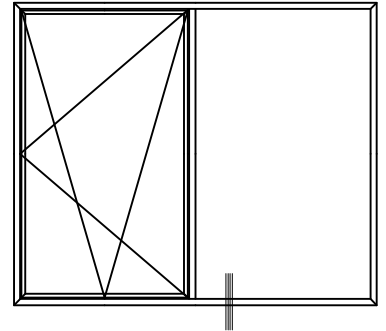
Detail 20B



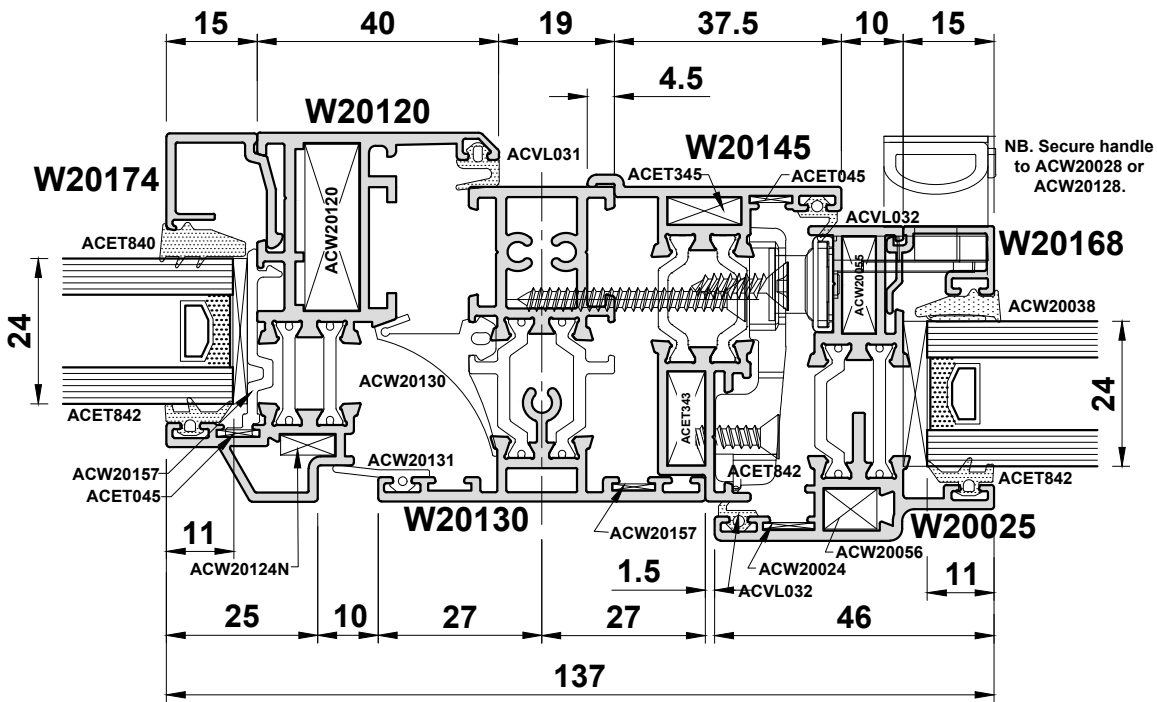
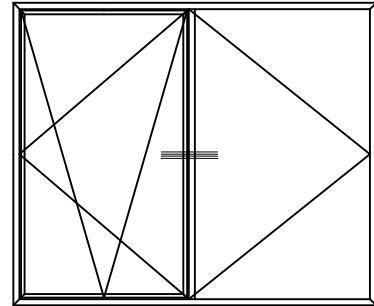
Note: W20131 cannot be used with opening vents to both sides.

Do Not Scale From This Drawing

Detail 21

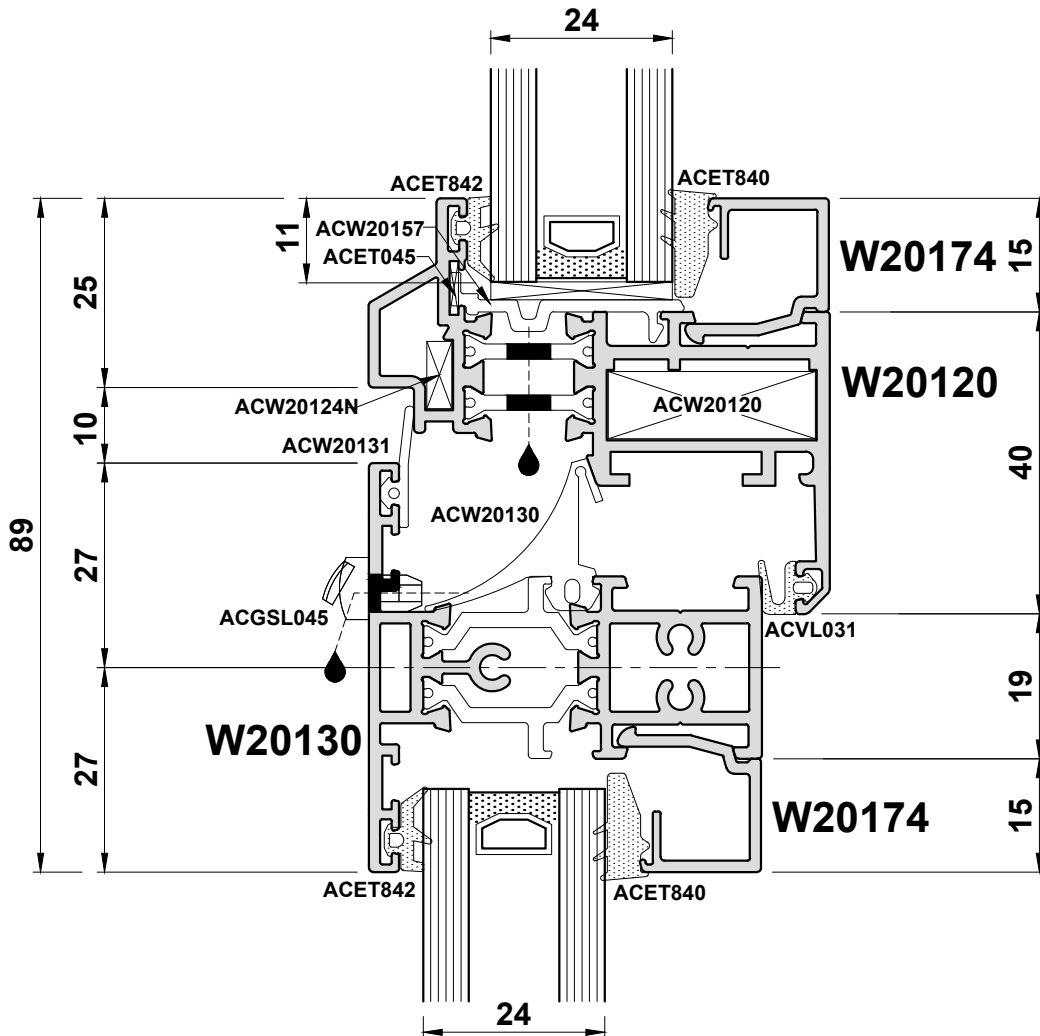
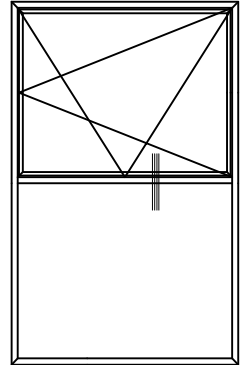


Do Not Scale From This Drawing



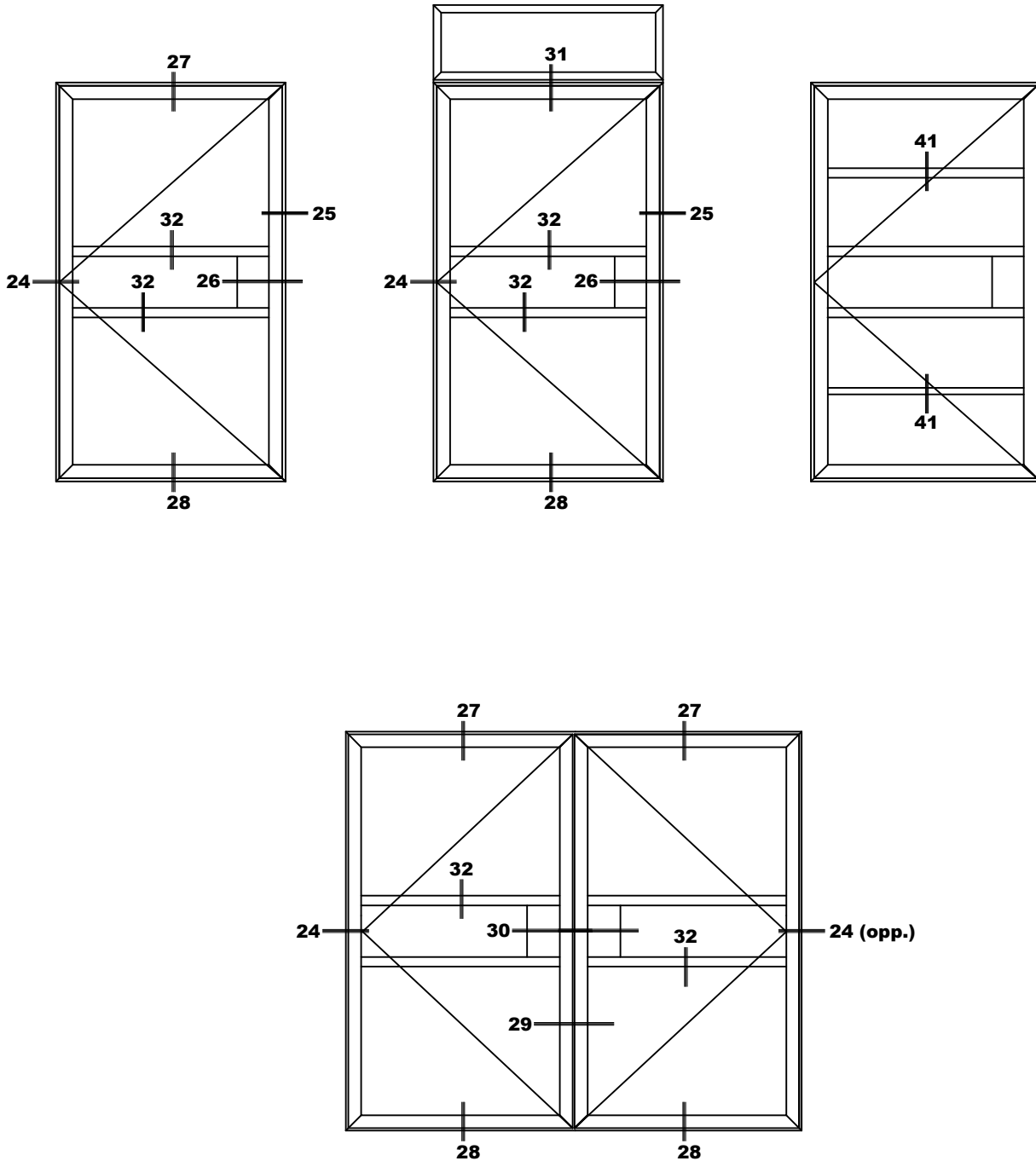
Do Not Scale From This Drawing

Detail 23



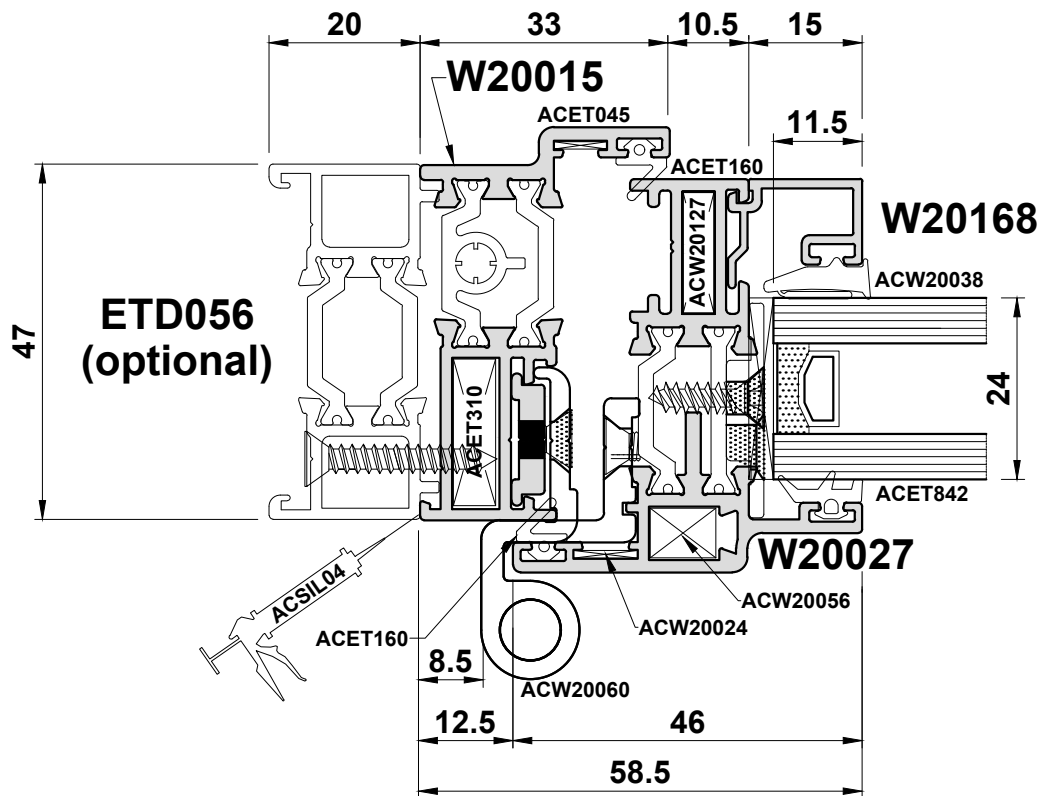
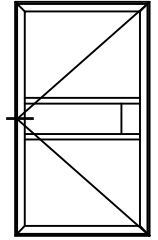
Do Not Scale From This Drawing

Open Out Doors



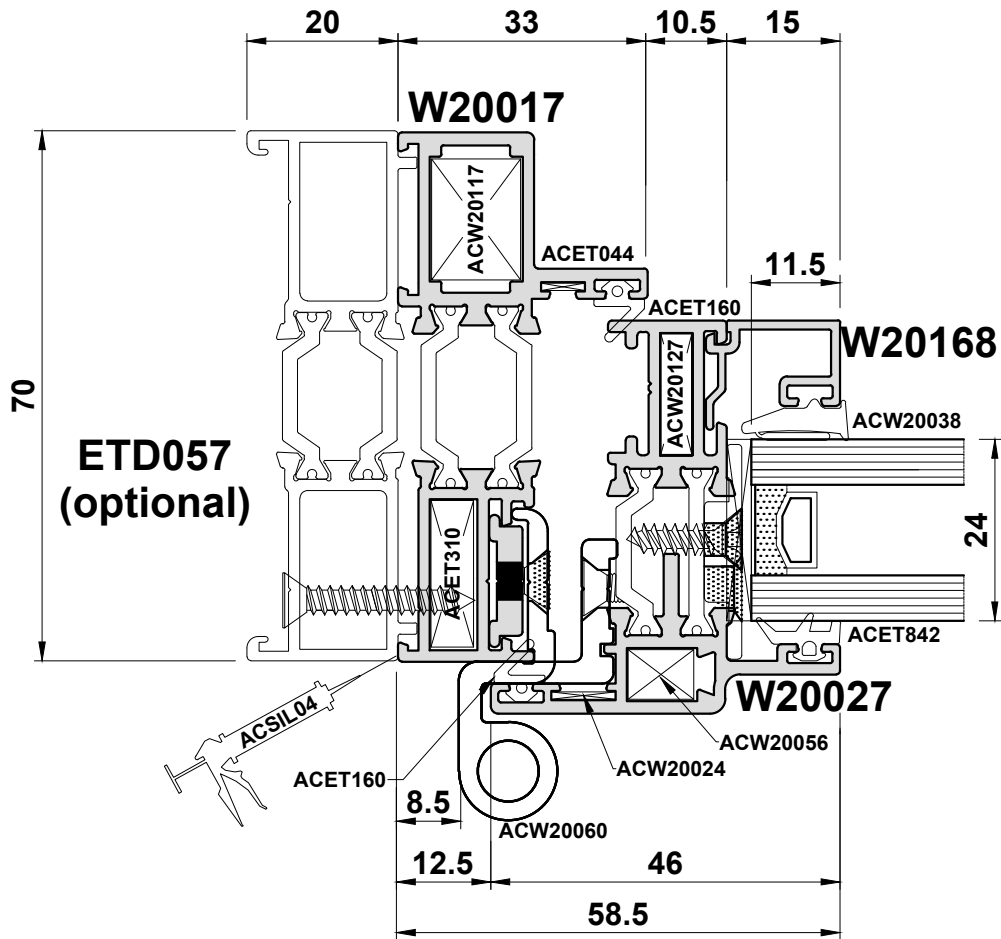
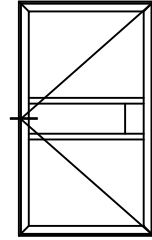
Do Not Scale From This Drawing

Detail 24A



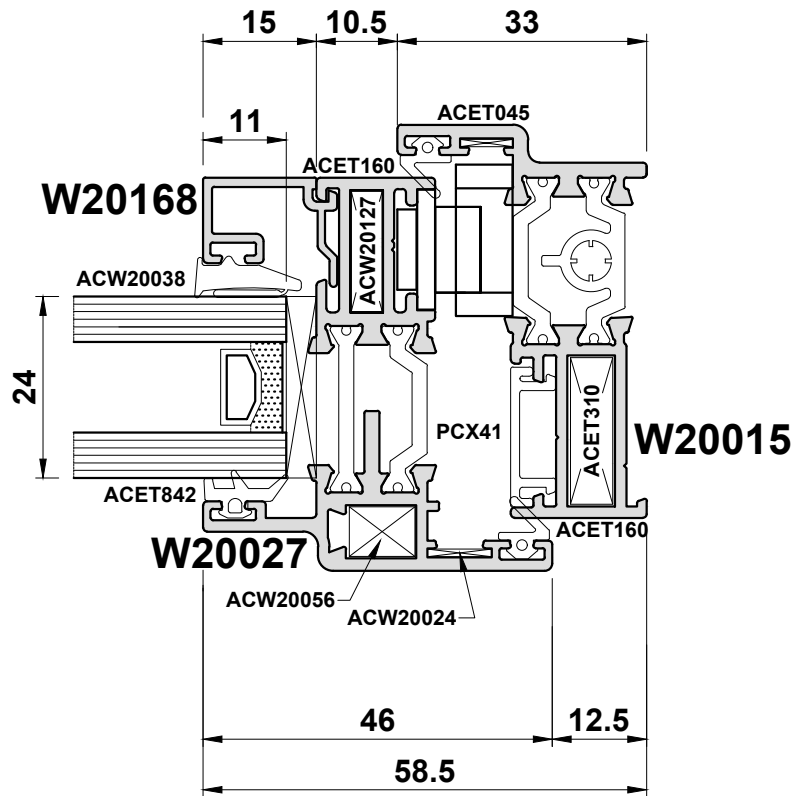
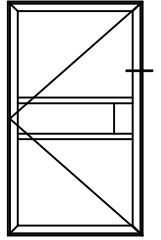
Do Not Scale From This Drawing

Detail 24B



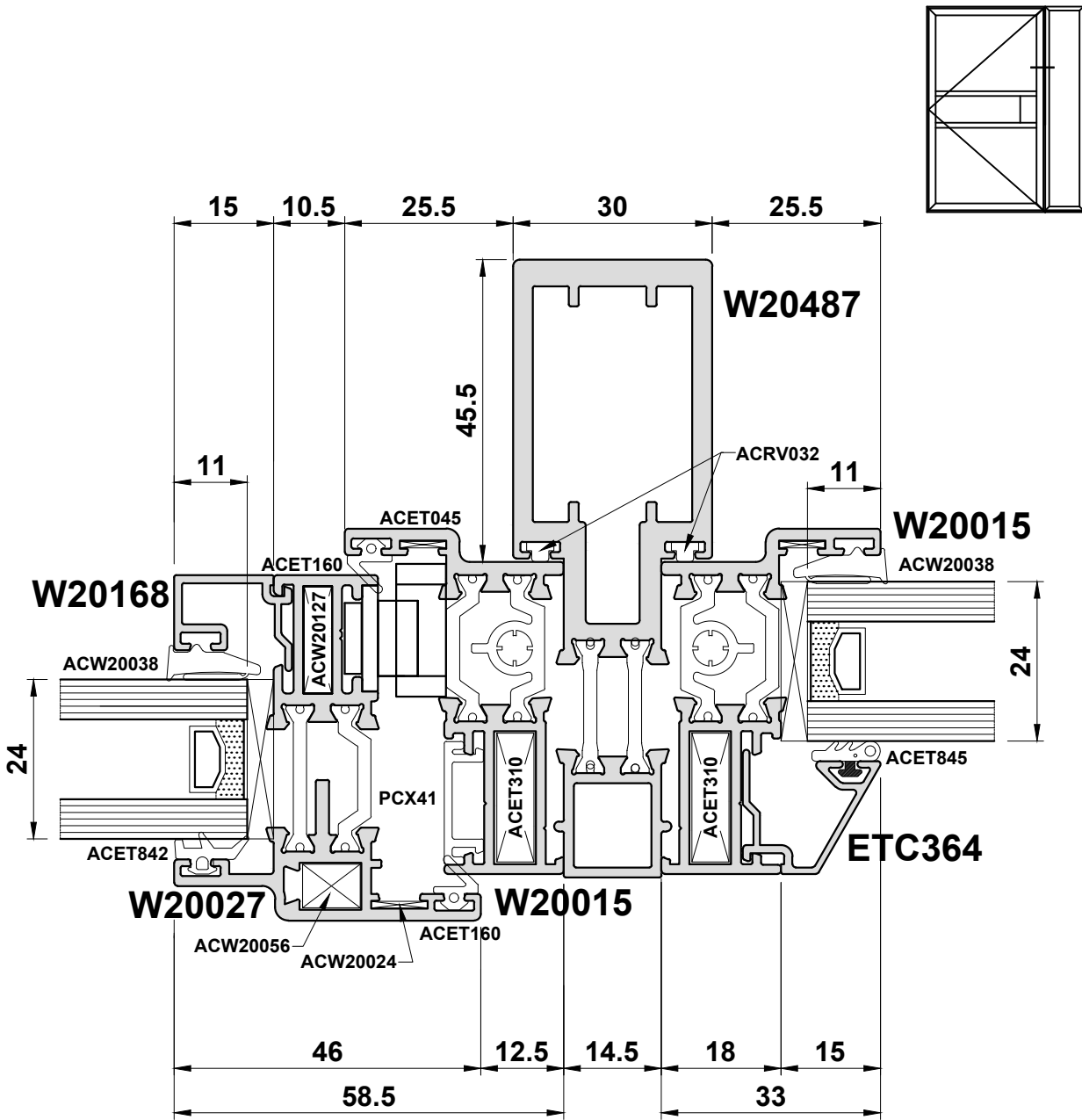
Do Not Scale From This Drawing

Detail 25A



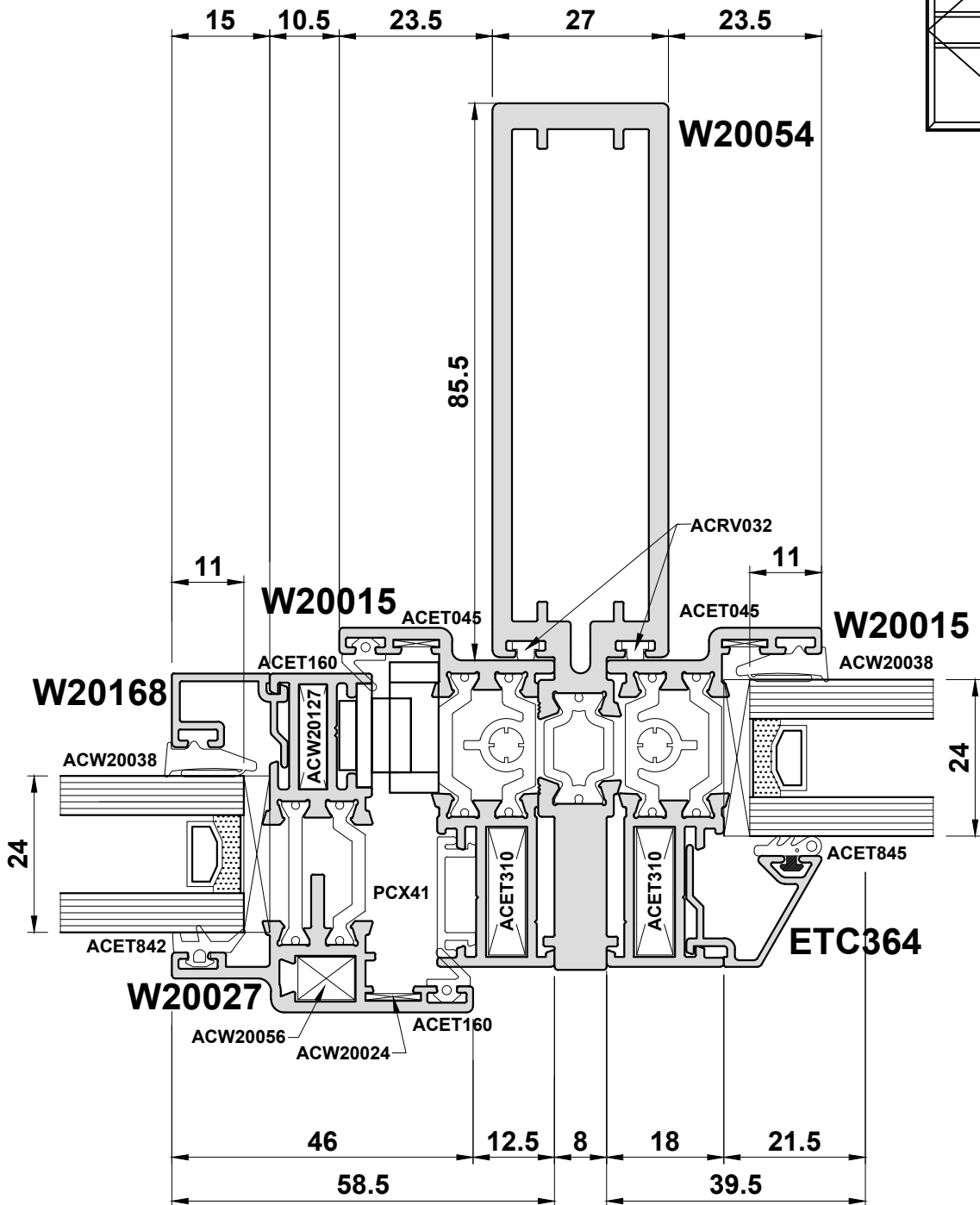
Do Not Scale From This Drawing

Detail 25B



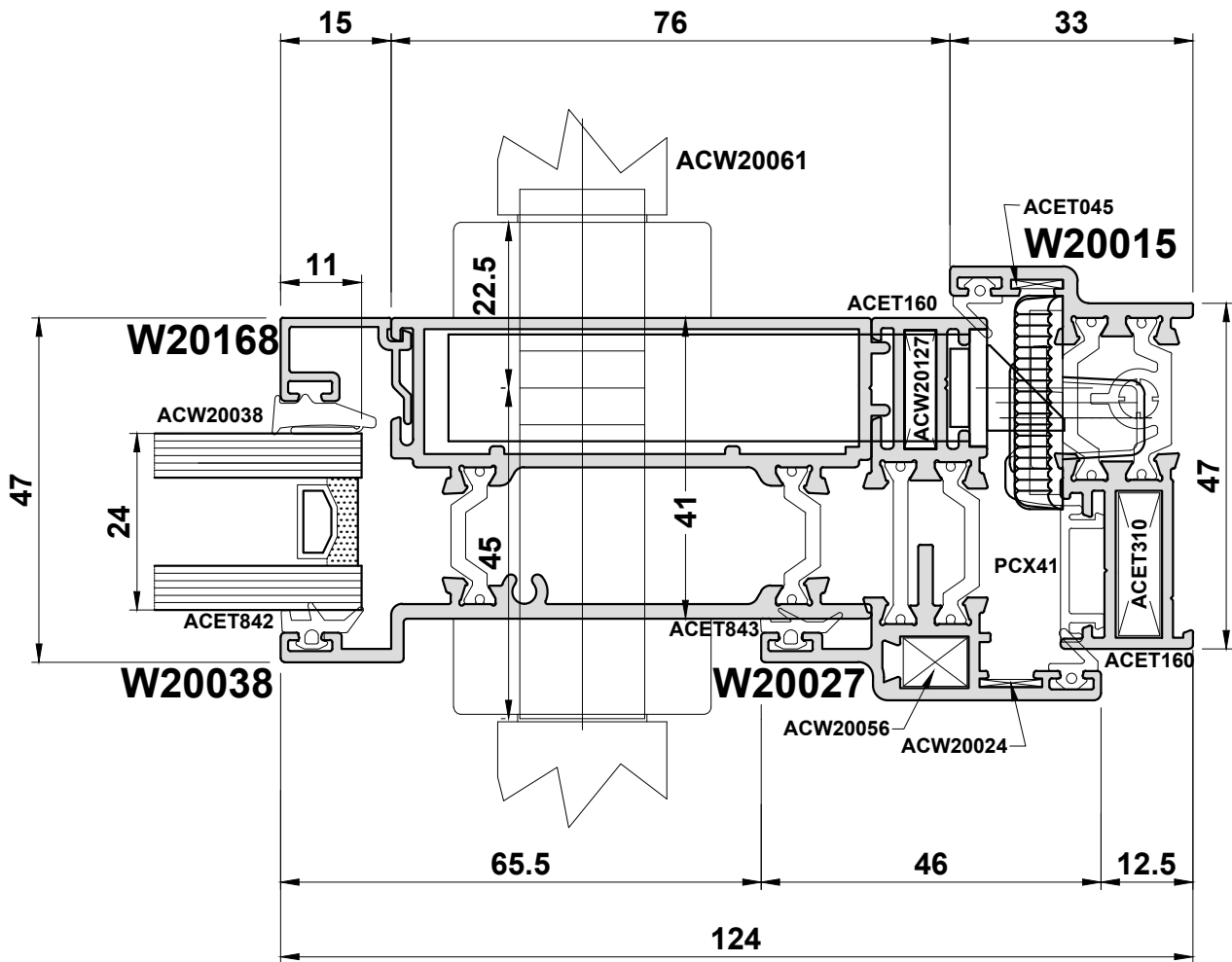
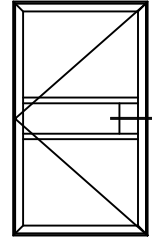
Do Not Scale From This Drawing

Detail 25C



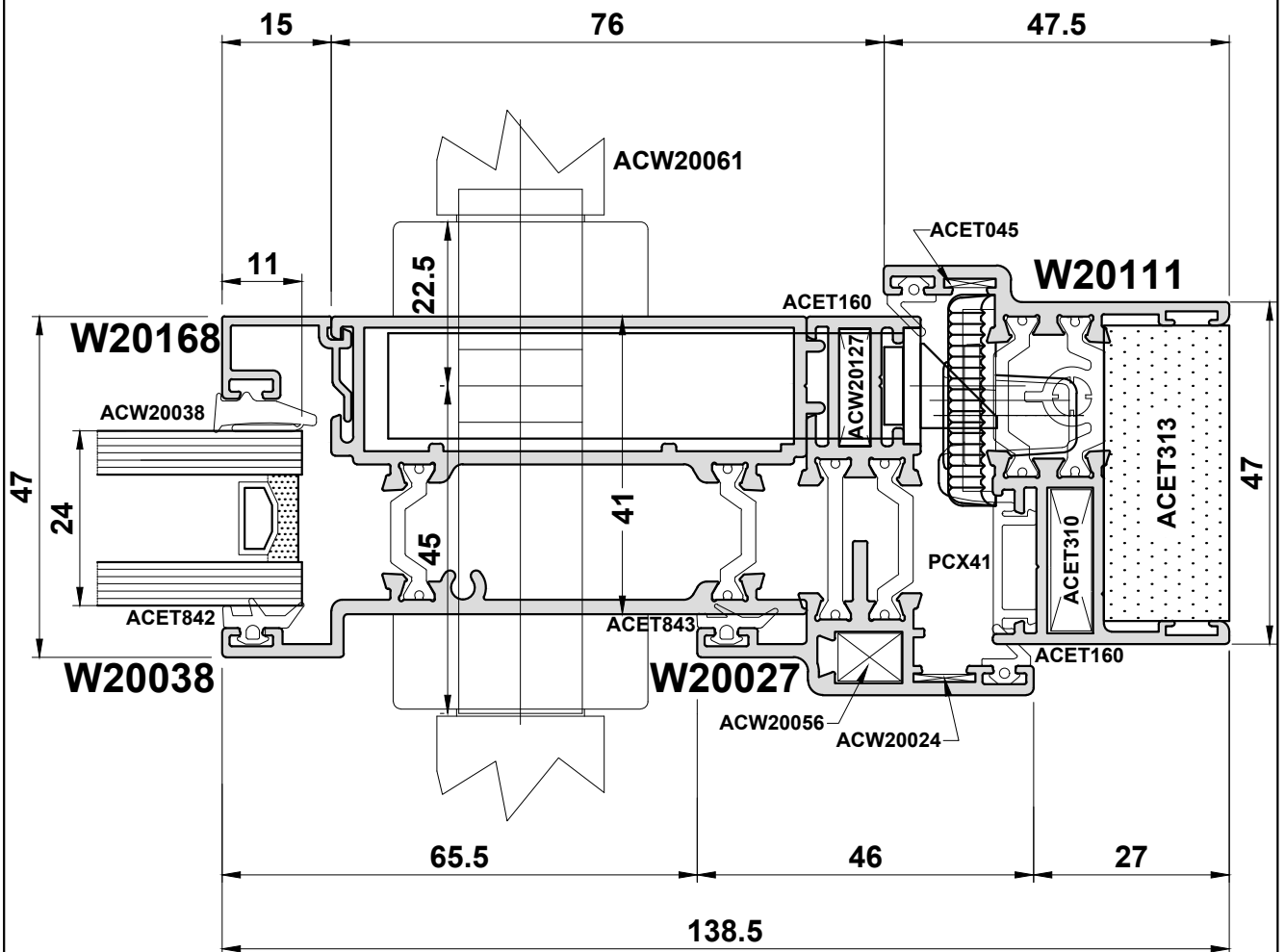
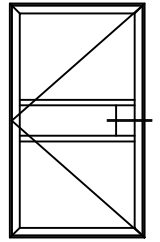
Do Not Scale From This Drawing

Detail 26A



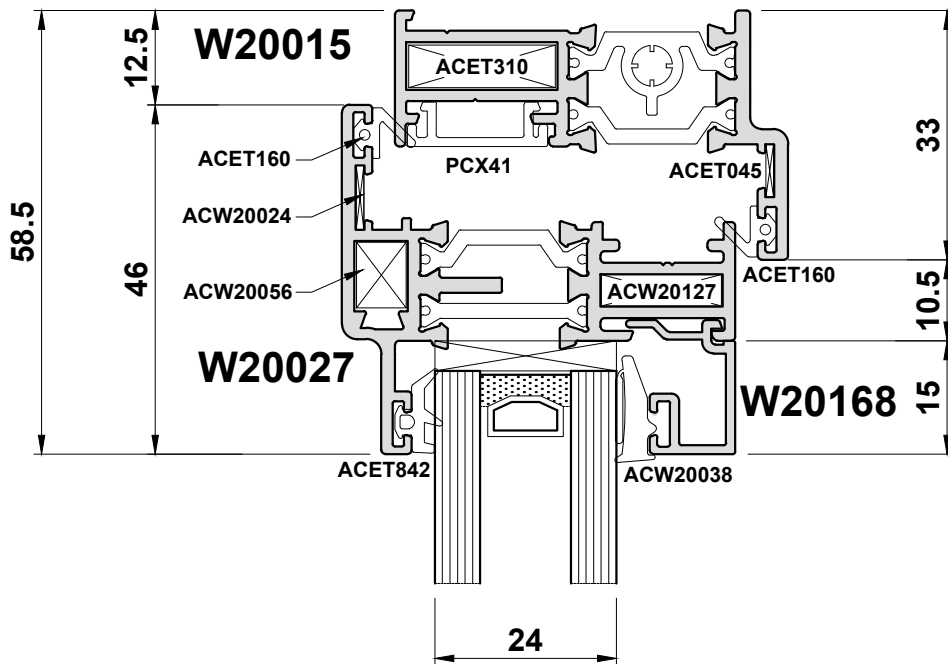
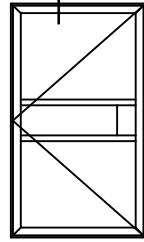
Do Not Scale From This Drawing

Detail 26B



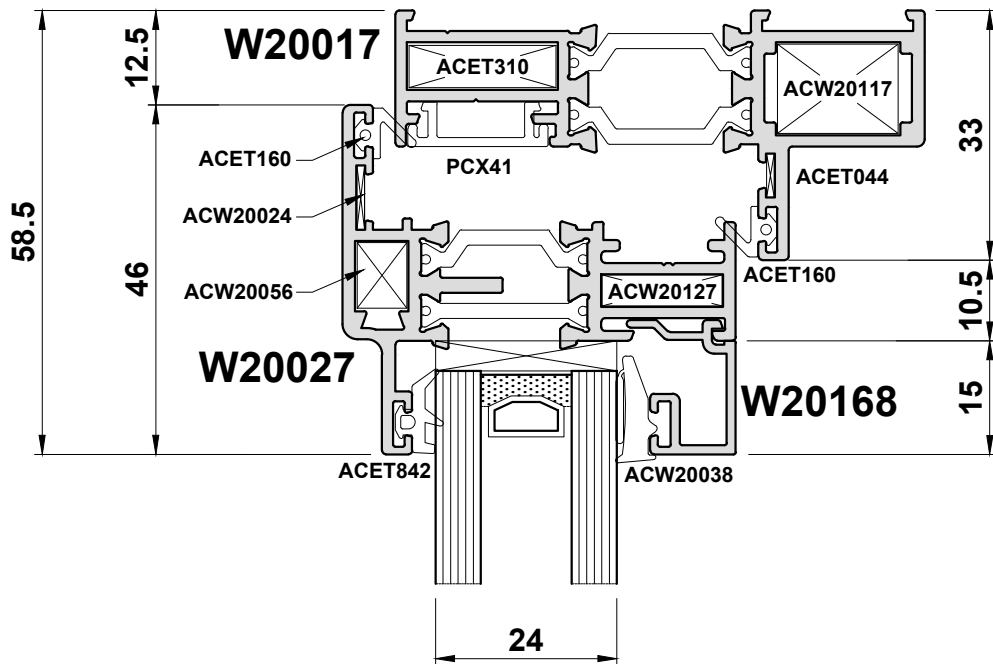
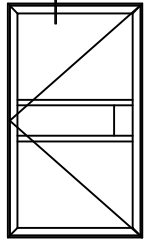
Do Not Scale From This Drawing

Detail 27A



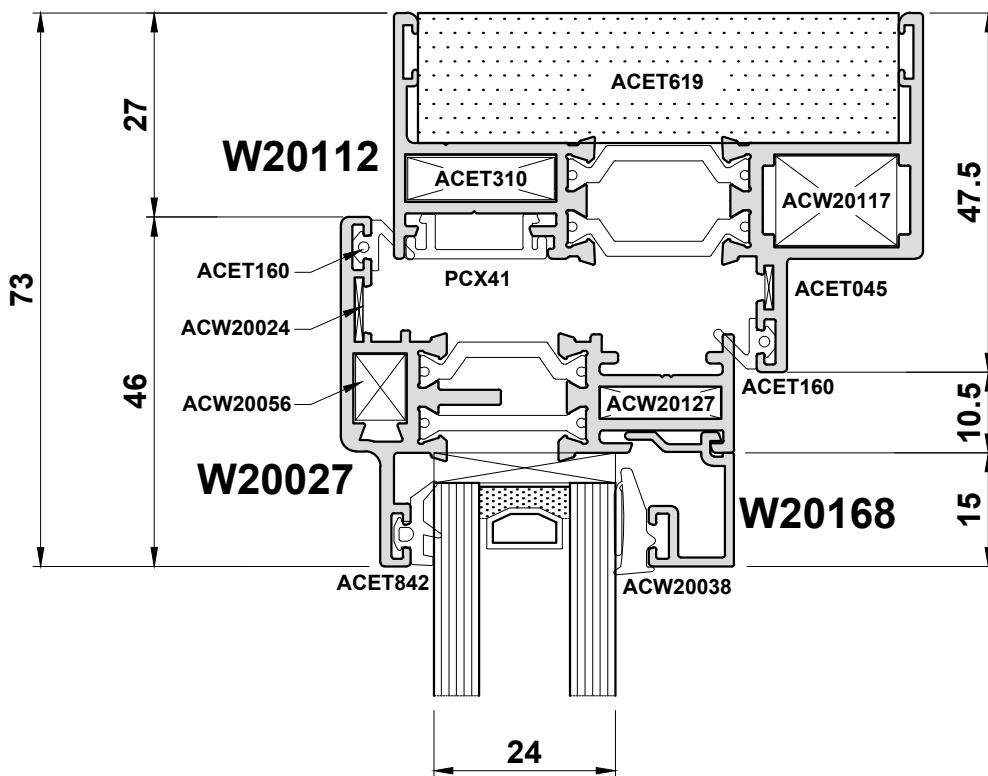
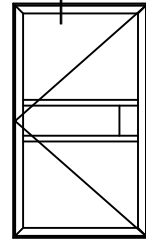
Do Not Scale From This Drawing

Detail 27B



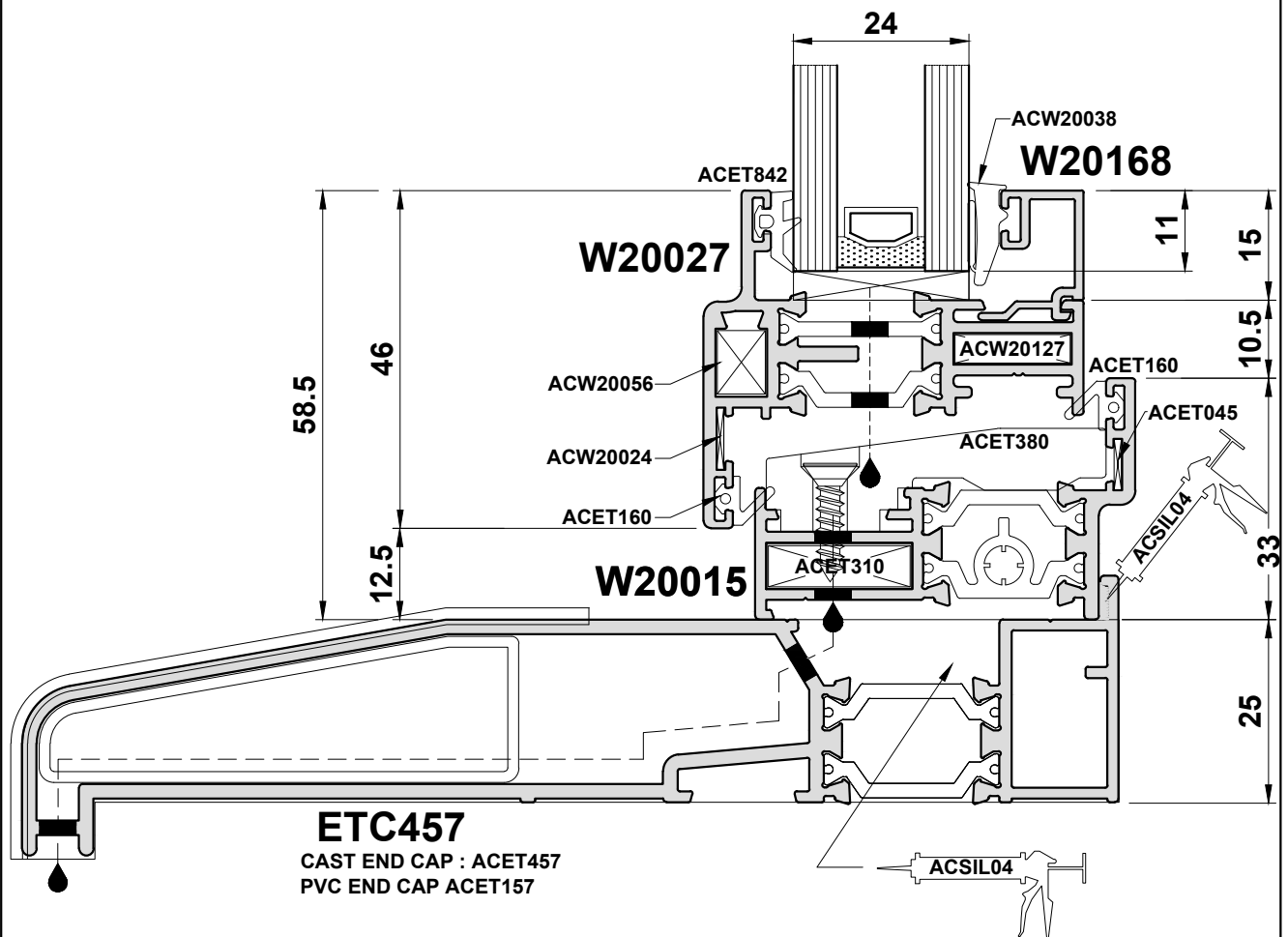
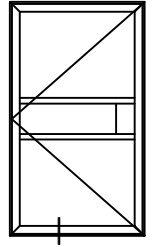
Do Not Scale From This Drawing

Detail 27C



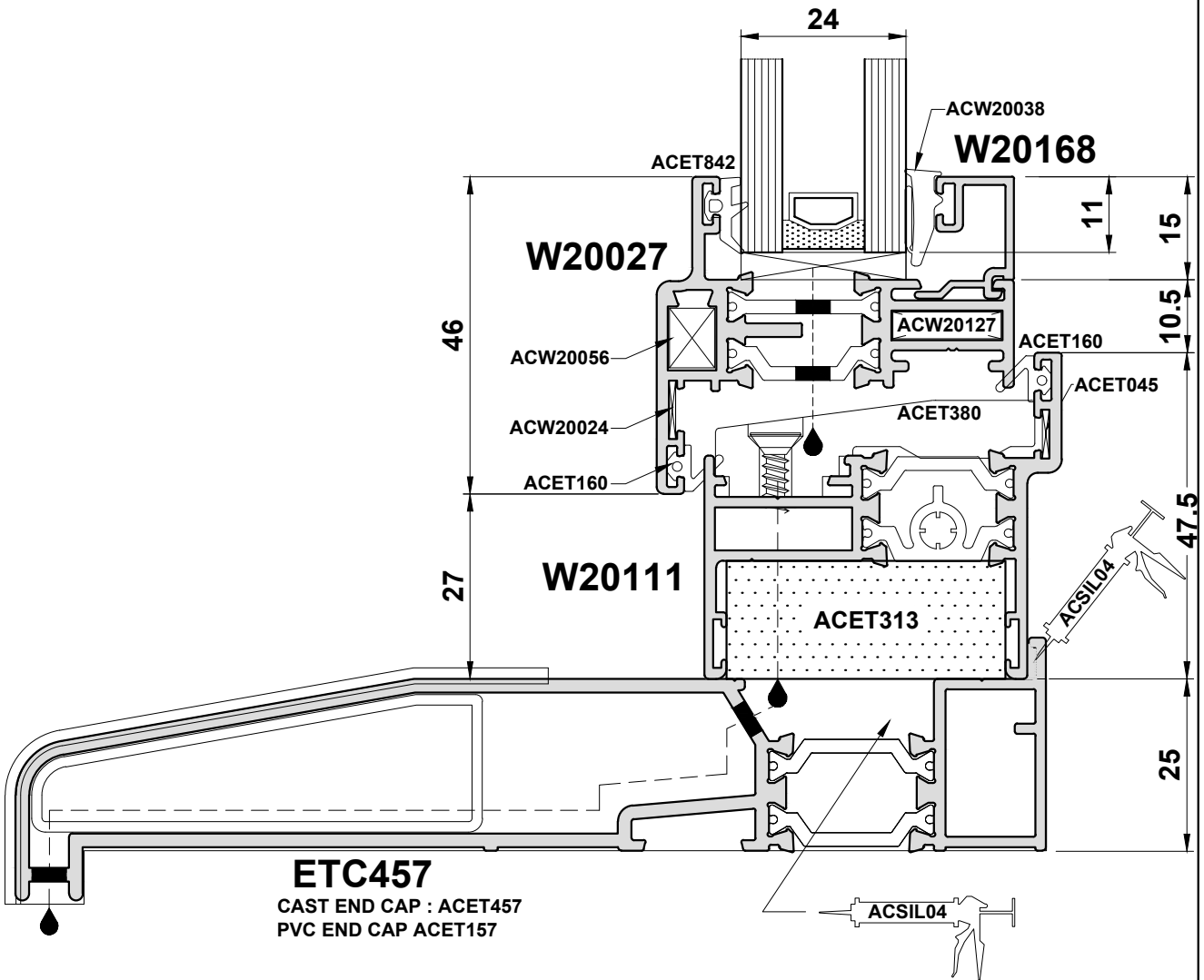
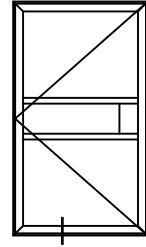
Do Not Scale From This Drawing

Detail 28A



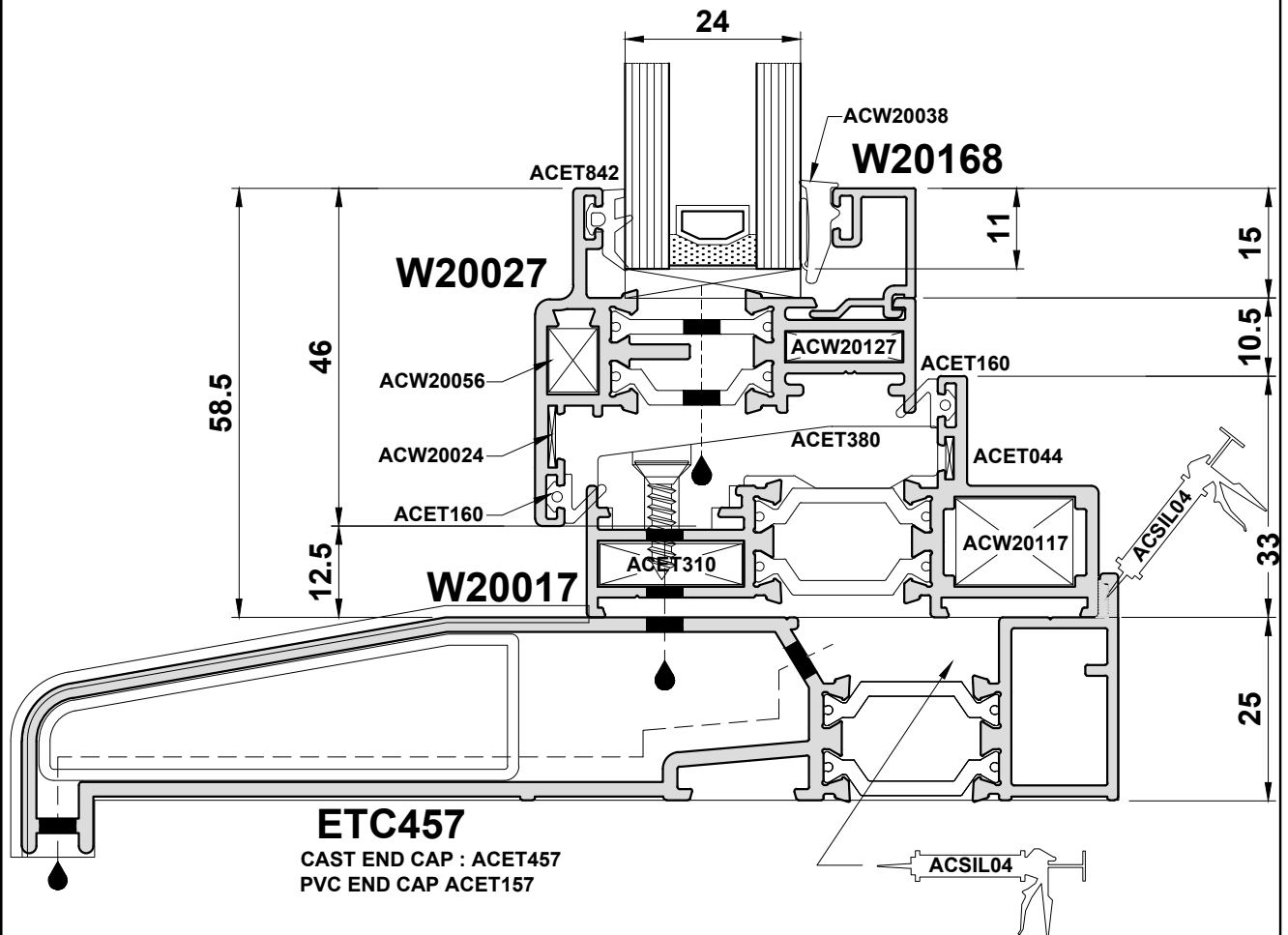
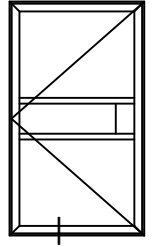
Do Not Scale From This Drawing

Detail 28B



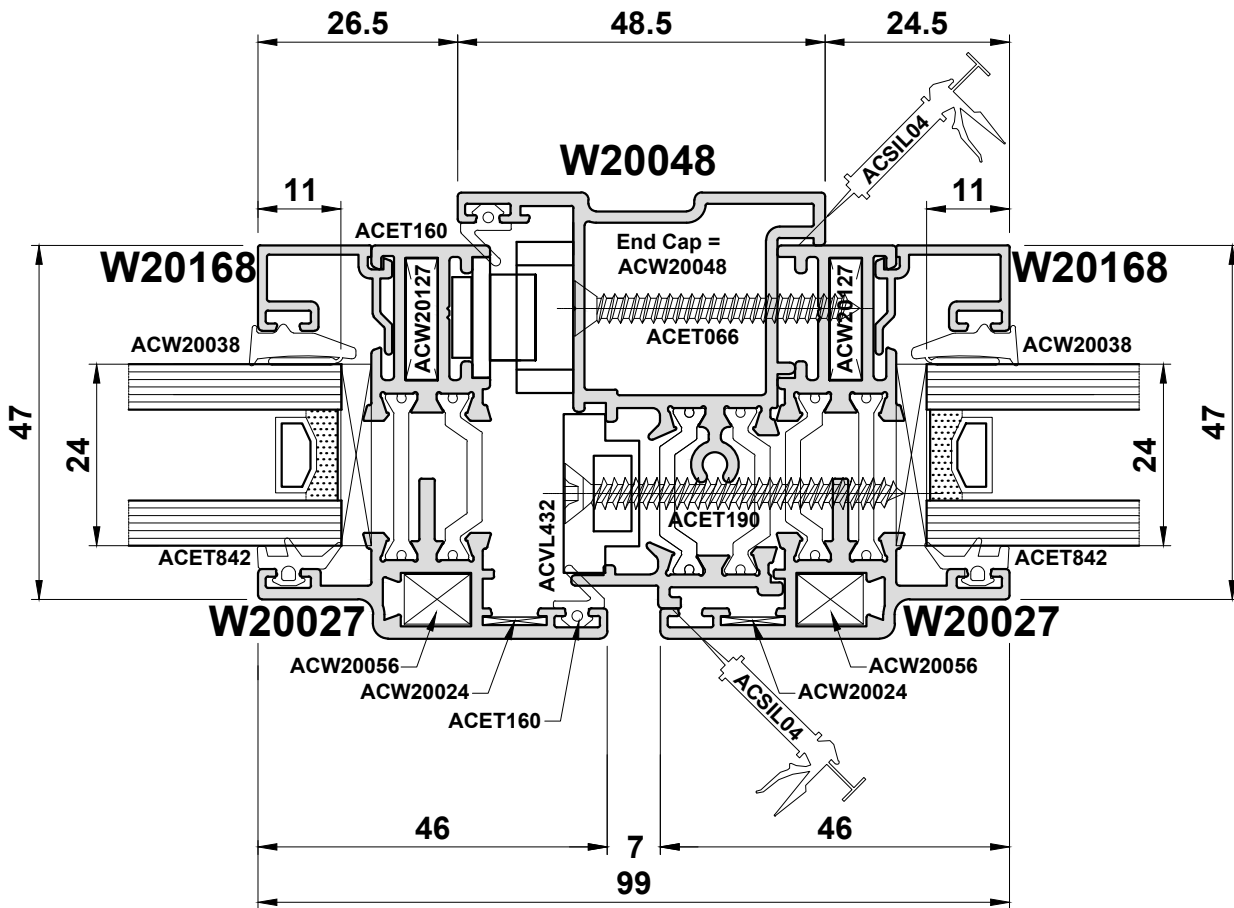
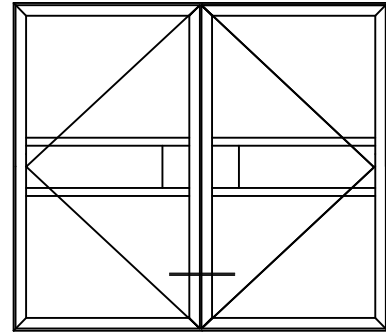
Do Not Scale From This Drawing

Detail 28C



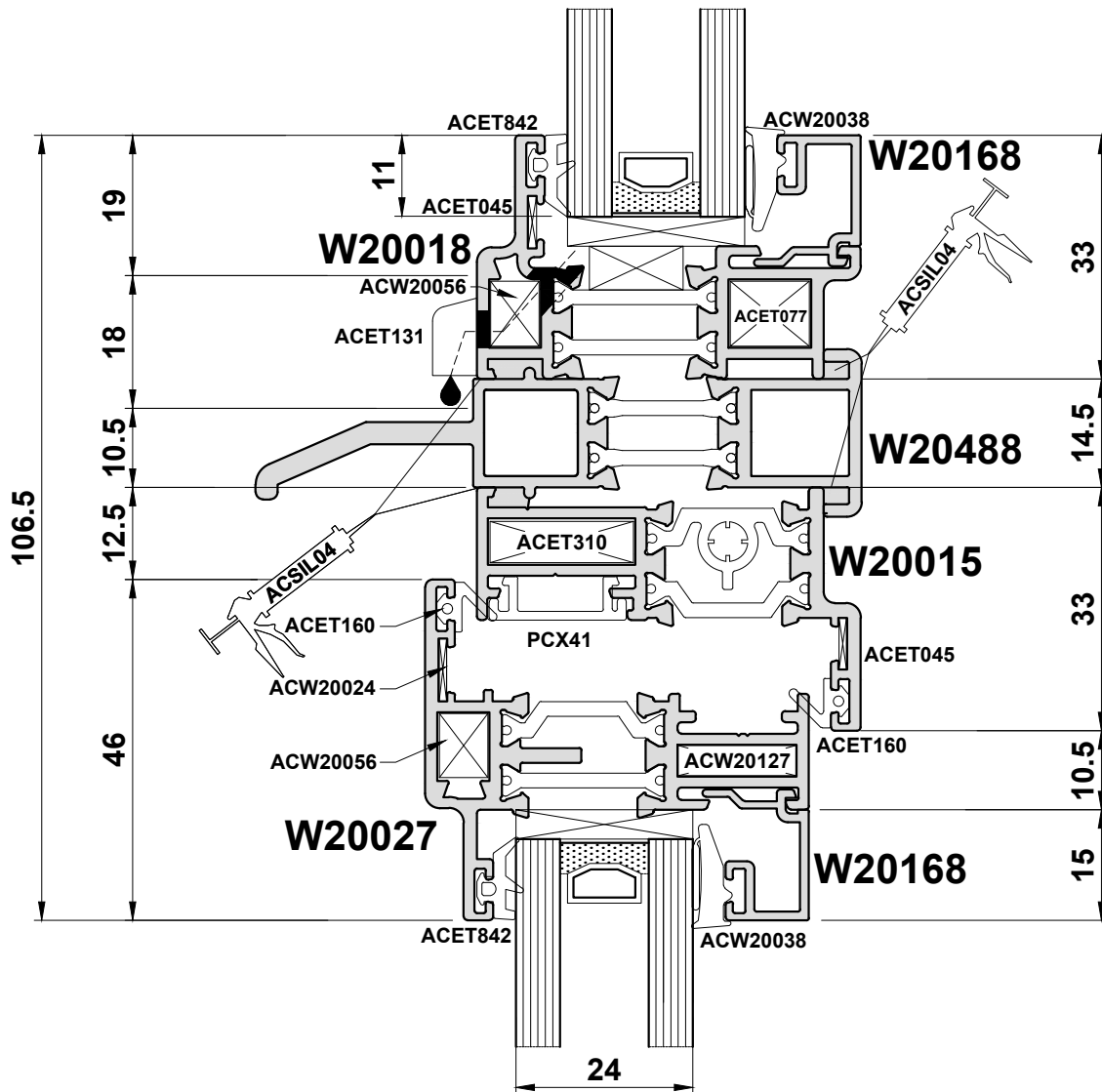
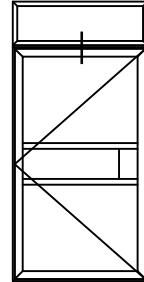
Do Not Scale From This Drawing

Detail 29



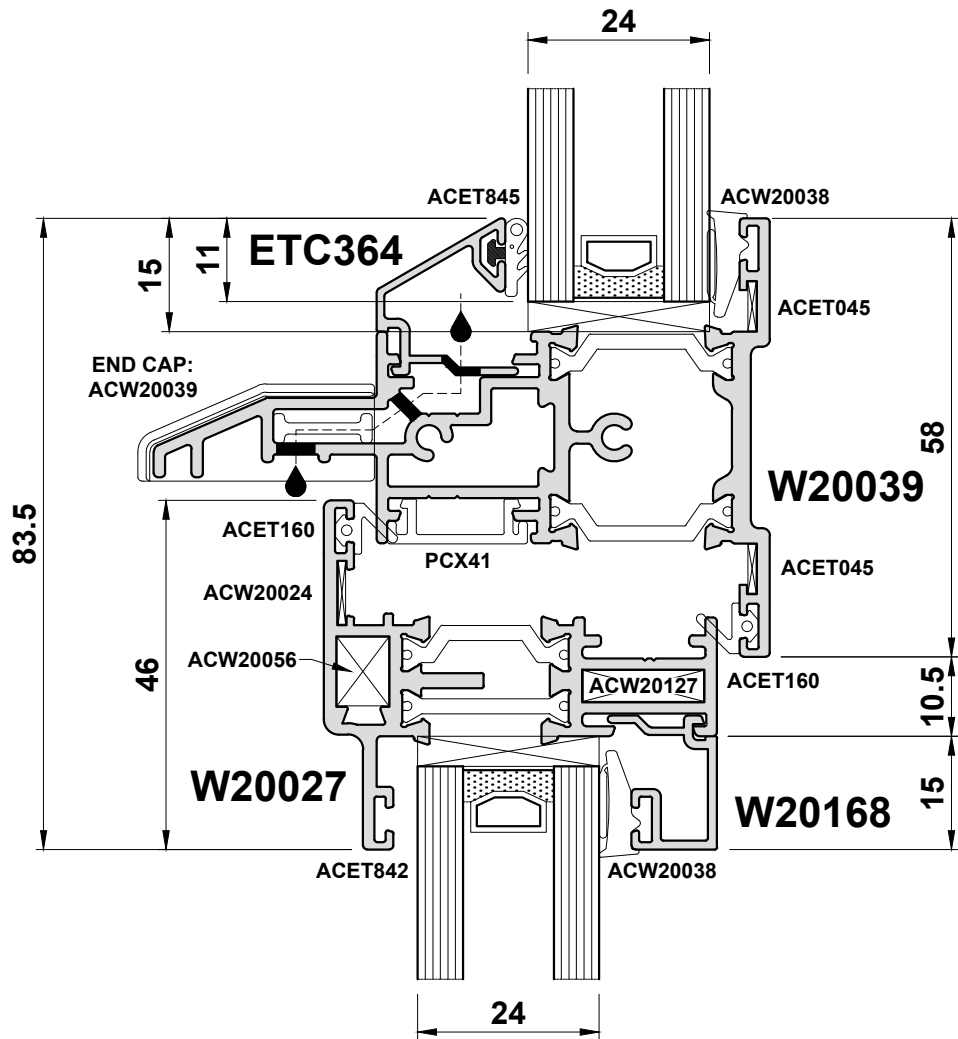
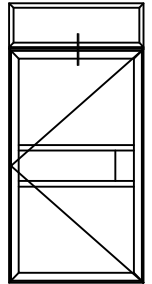
Do Not Scale From This Drawing

Detail 31A



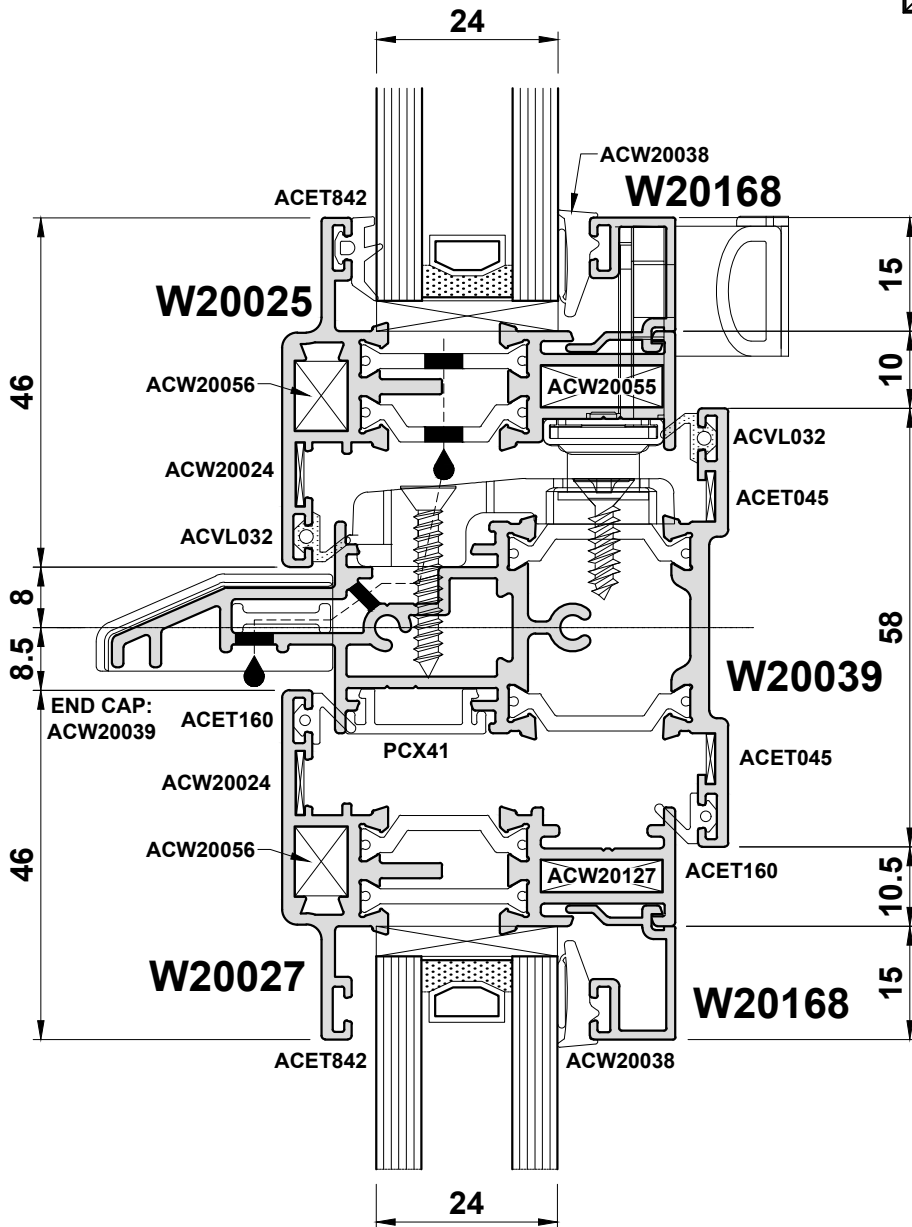
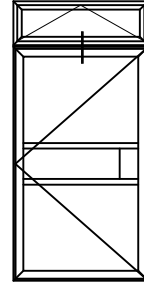
Do Not Scale From This Drawing

Detail 31B



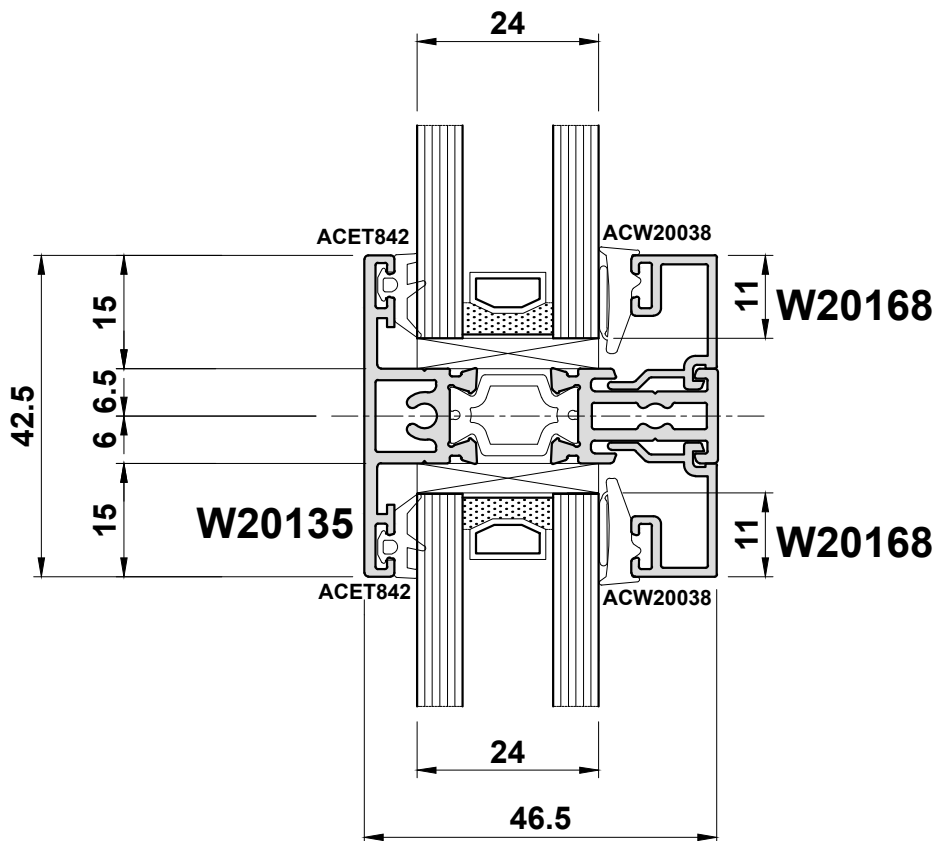
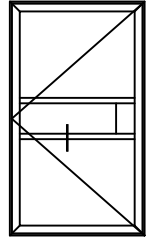
Do Not Scale From This Drawing

Detail 31C



Do Not Scale From This Drawing

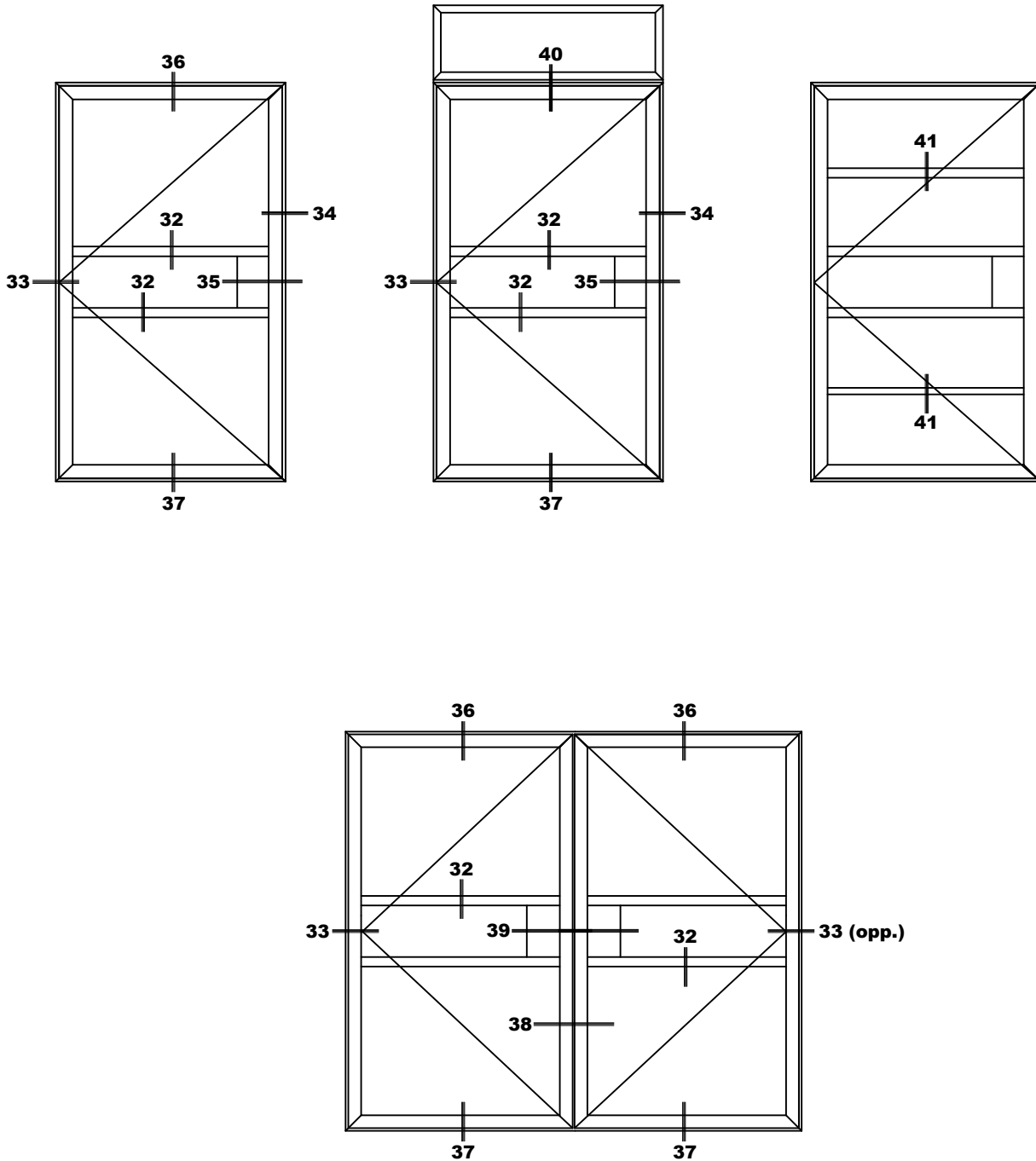
Detail 32



Note: Transoms will drain through the join to the sash.

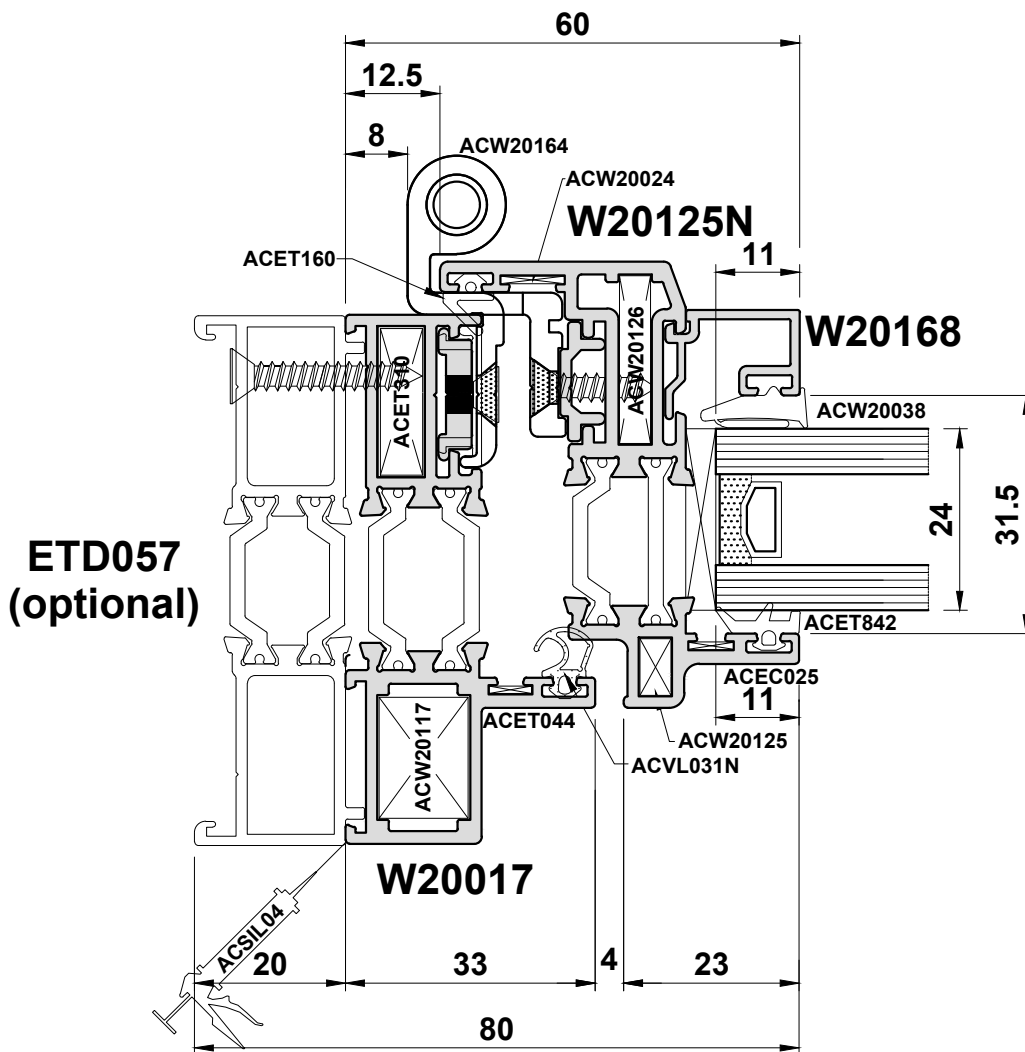
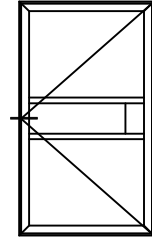
Do Not Scale From This Drawing

Open In Doors



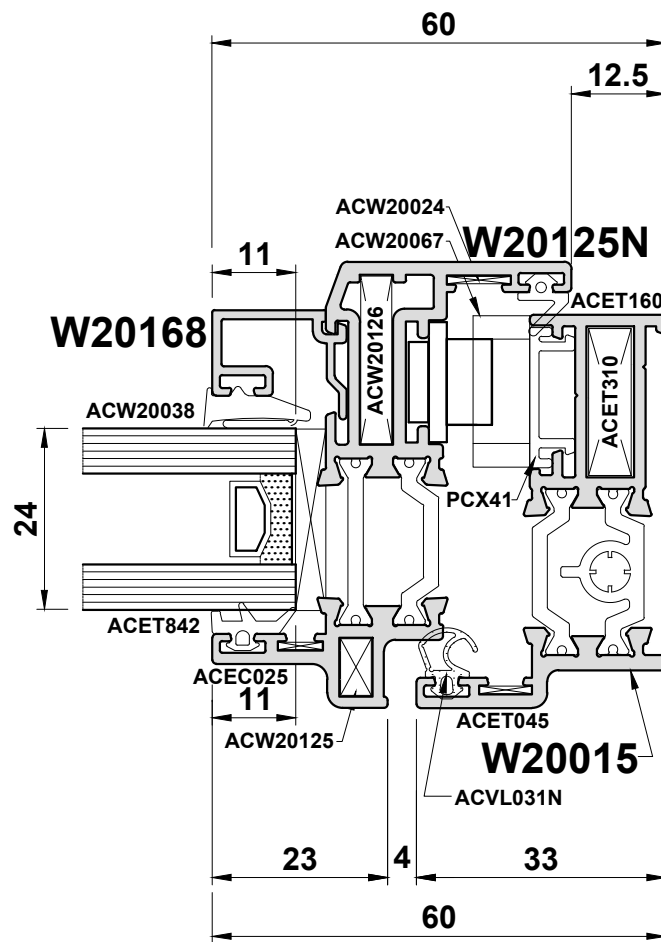
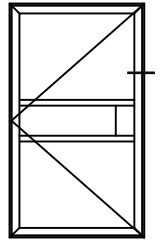
Do Not Scale From This Drawing

Detail 33B



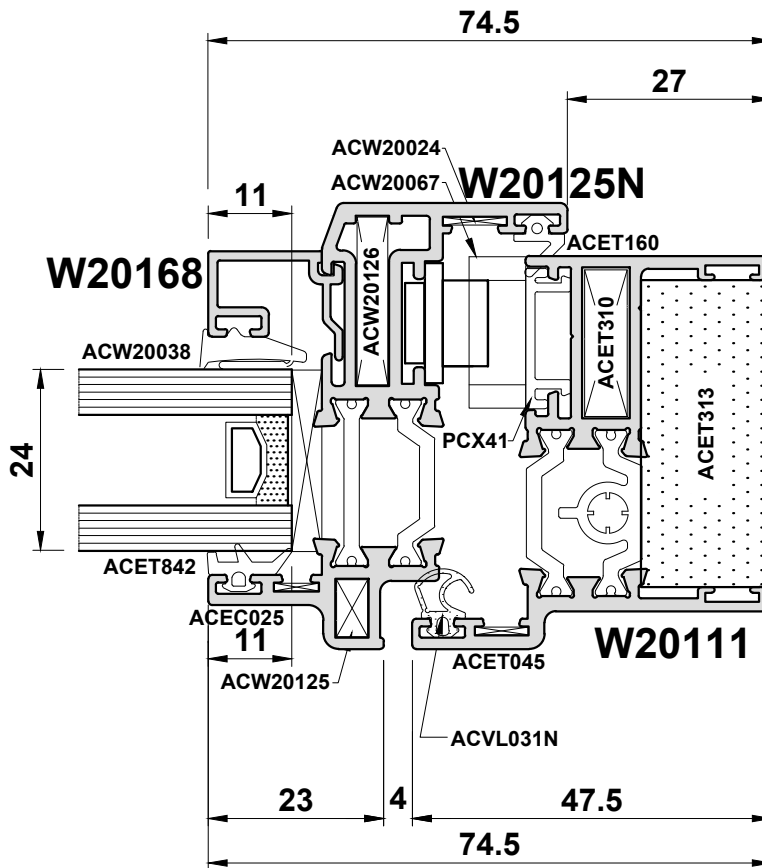
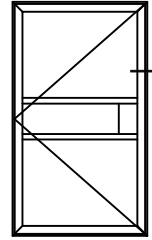
Do Not Scale From This Drawing

Detail 34A



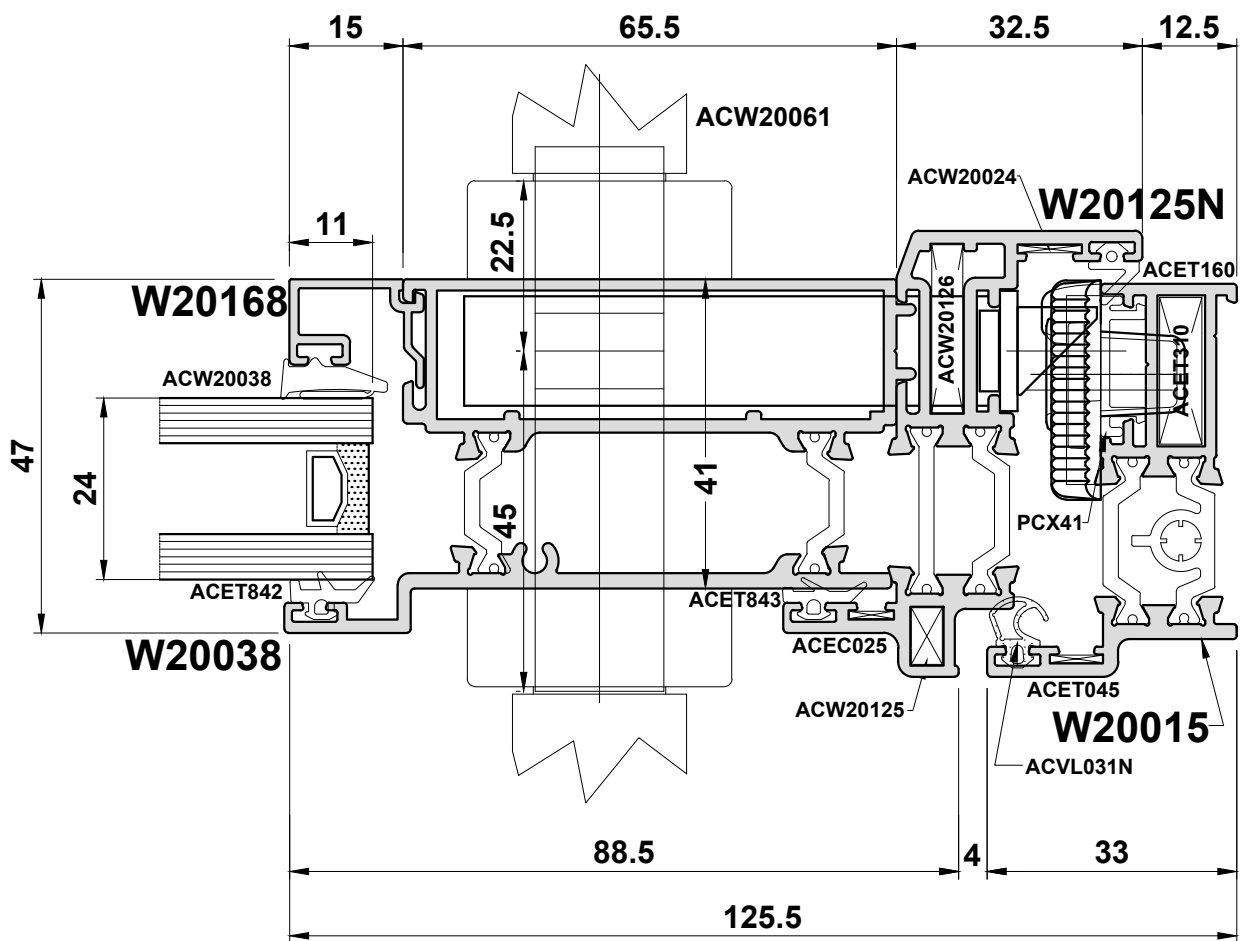
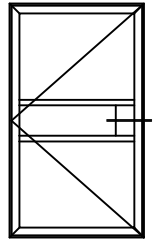
Do Not Scale From This Drawing

Detail 34B



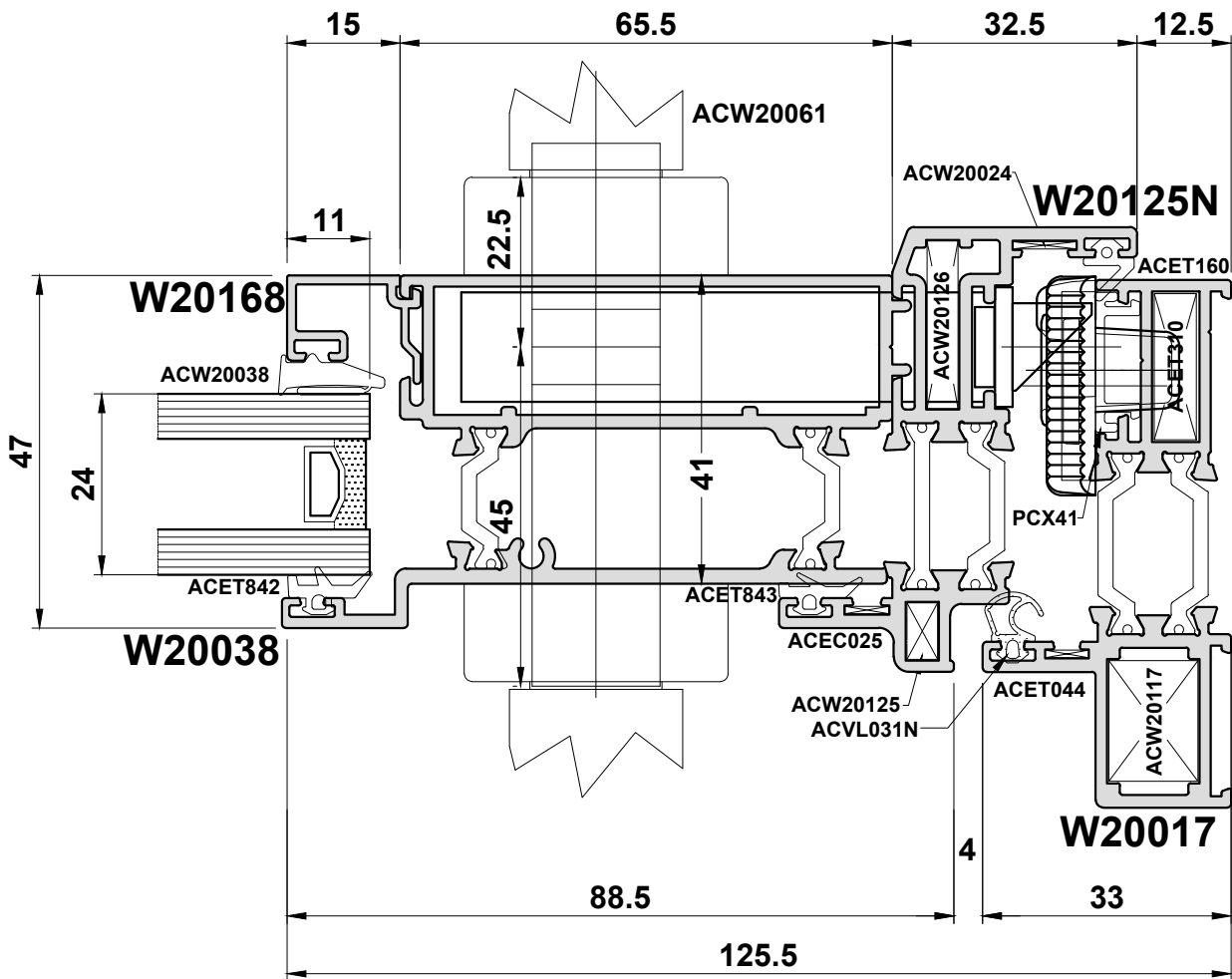
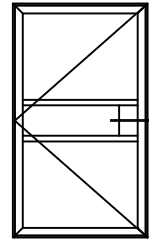
Do Not Scale From This Drawing

Detail 35A



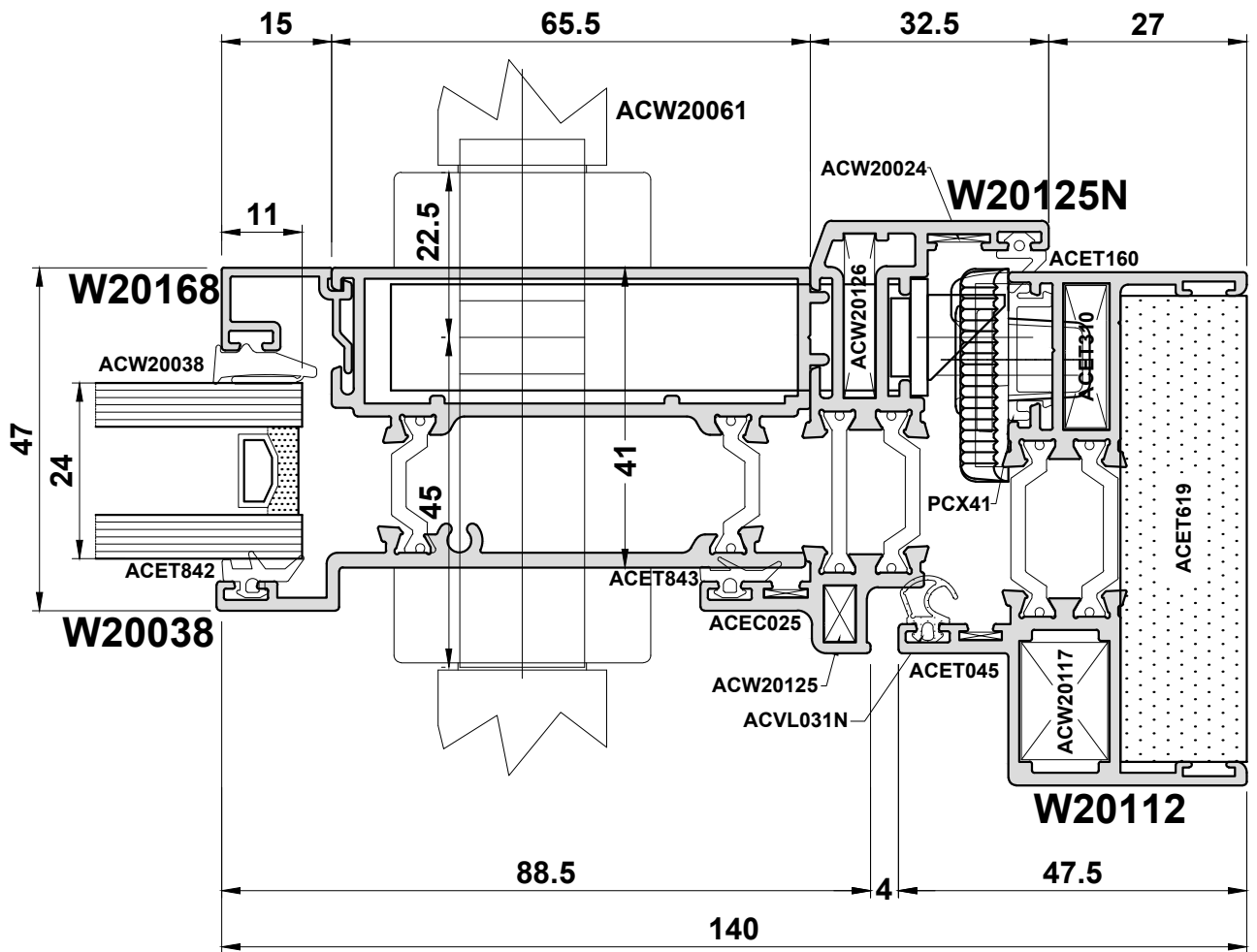
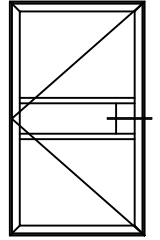
Do Not Scale From This Drawing

Detail 35B



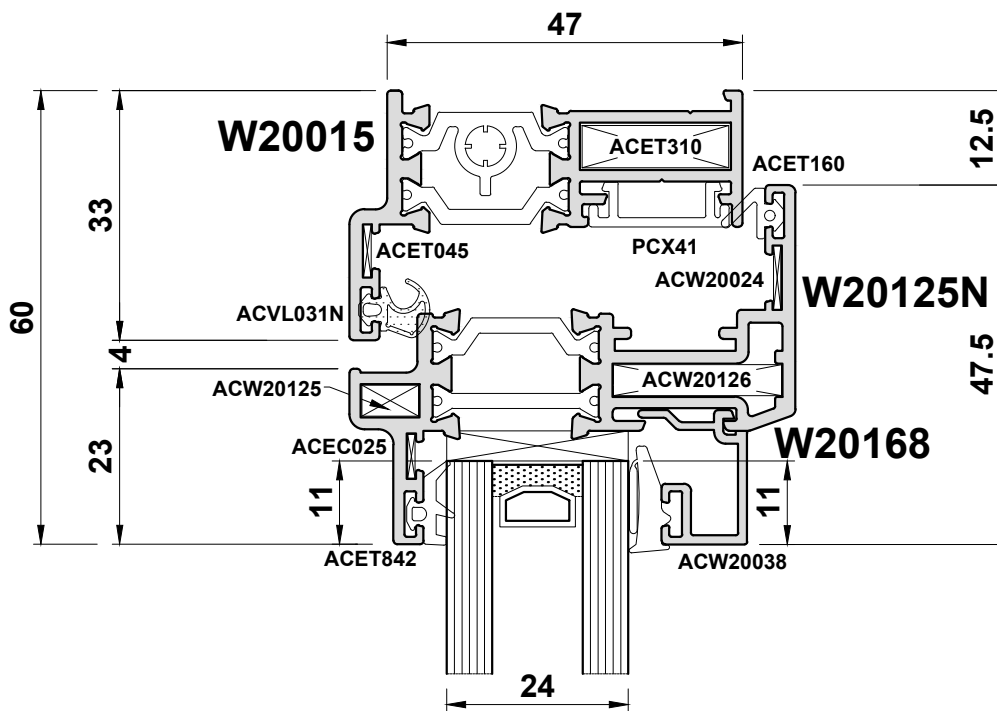
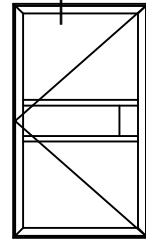
Do Not Scale From This Drawing

Detail 35C

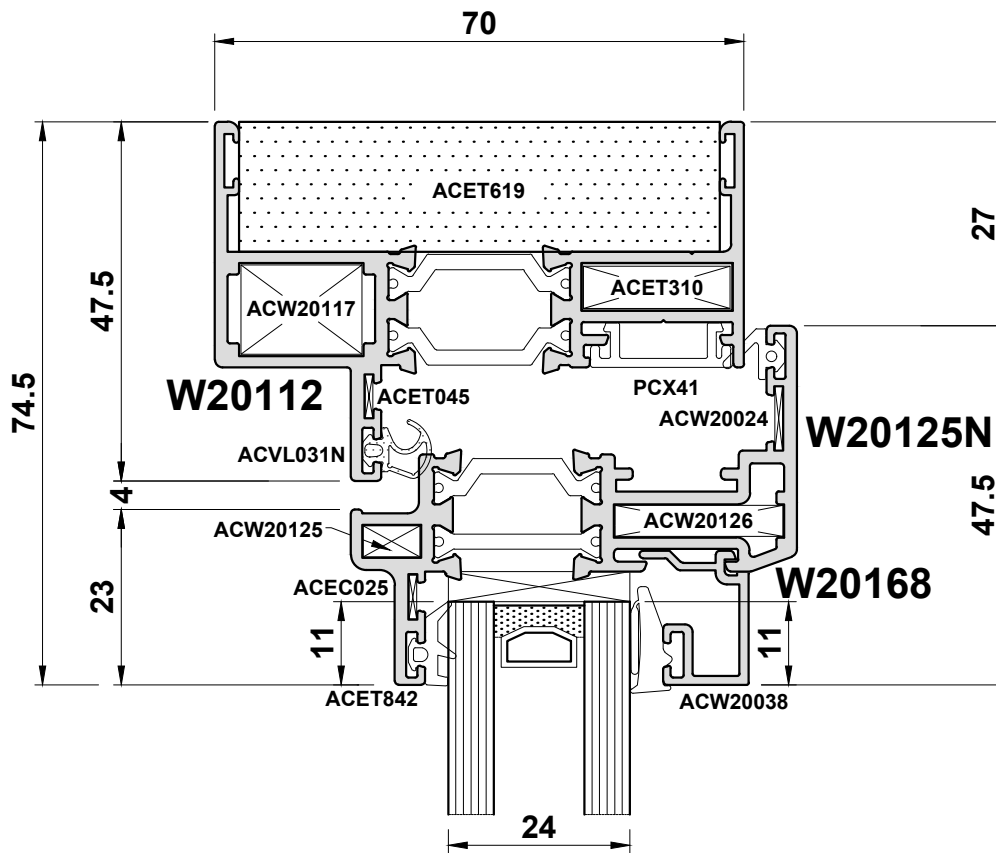
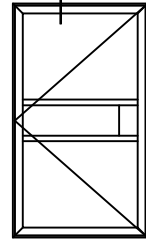


Do Not Scale From This Drawing

Detail 36A

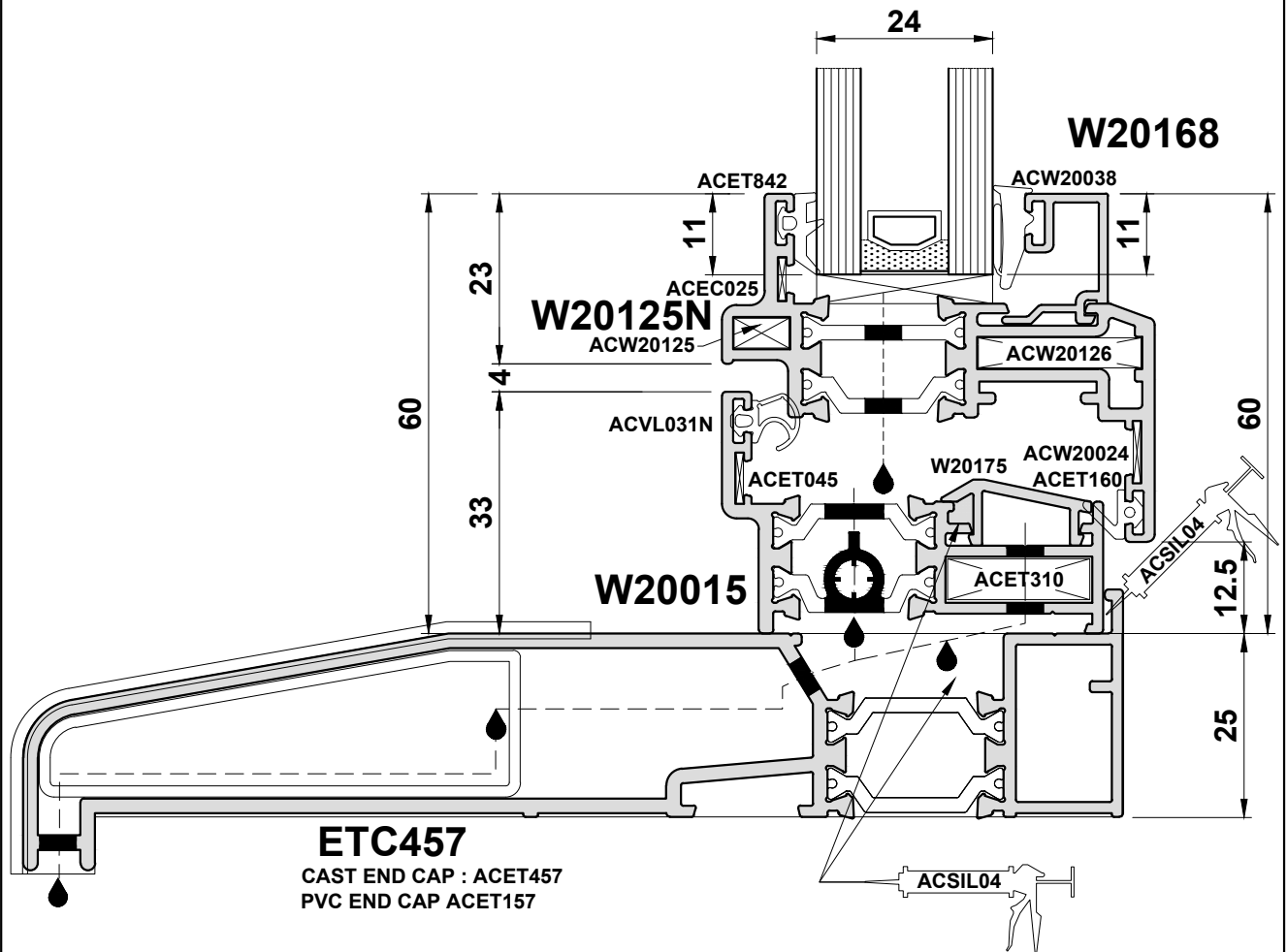
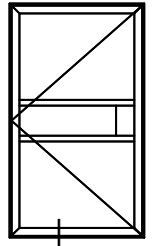


Do Not Scale From This Drawing



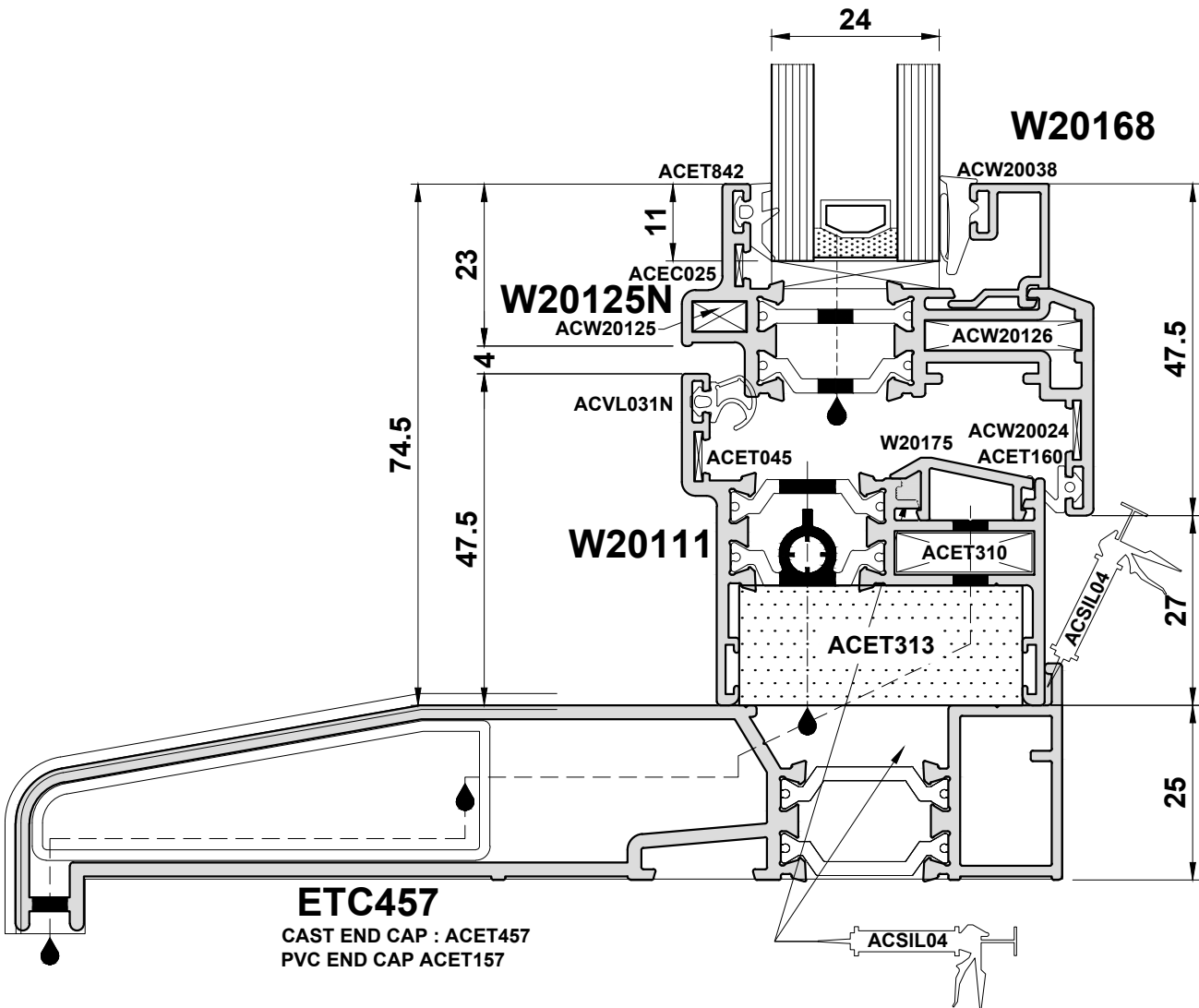
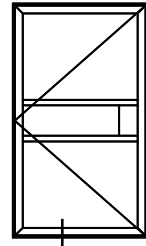
Do Not Scale From This Drawing

Detail 37A



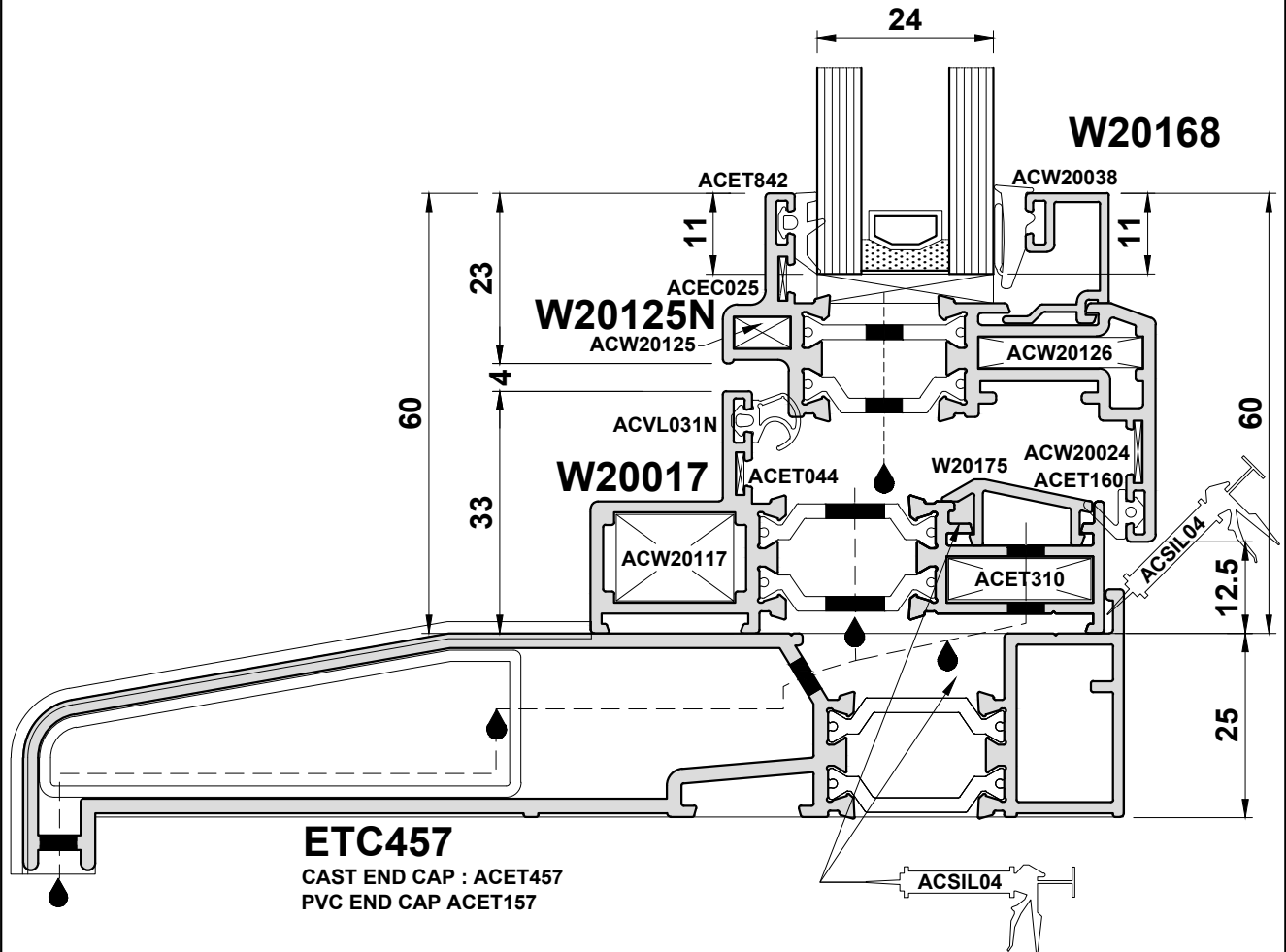
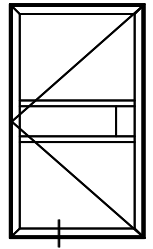
Do Not Scale From This Drawing

Detail 37B



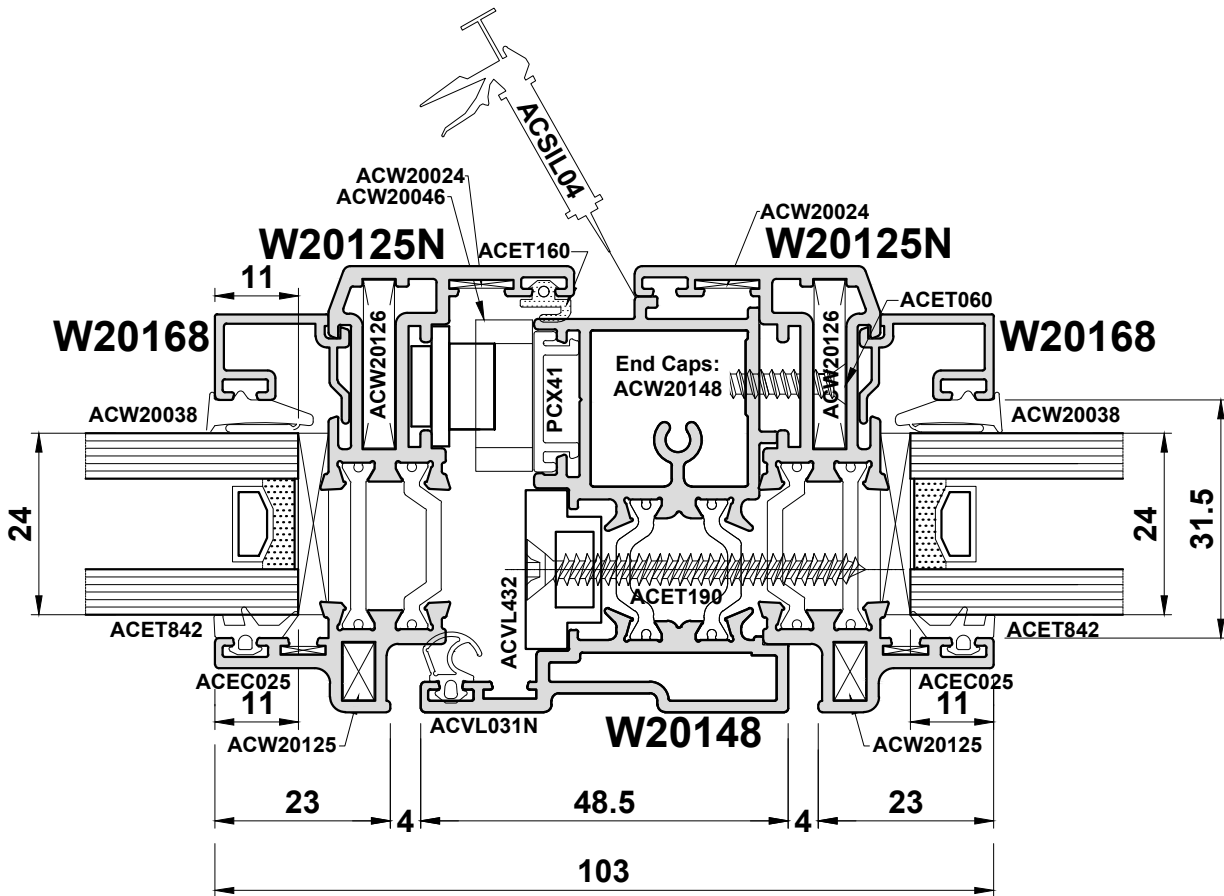
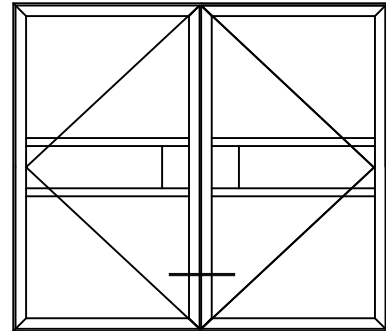
Do Not Scale From This Drawing

Detail 37C



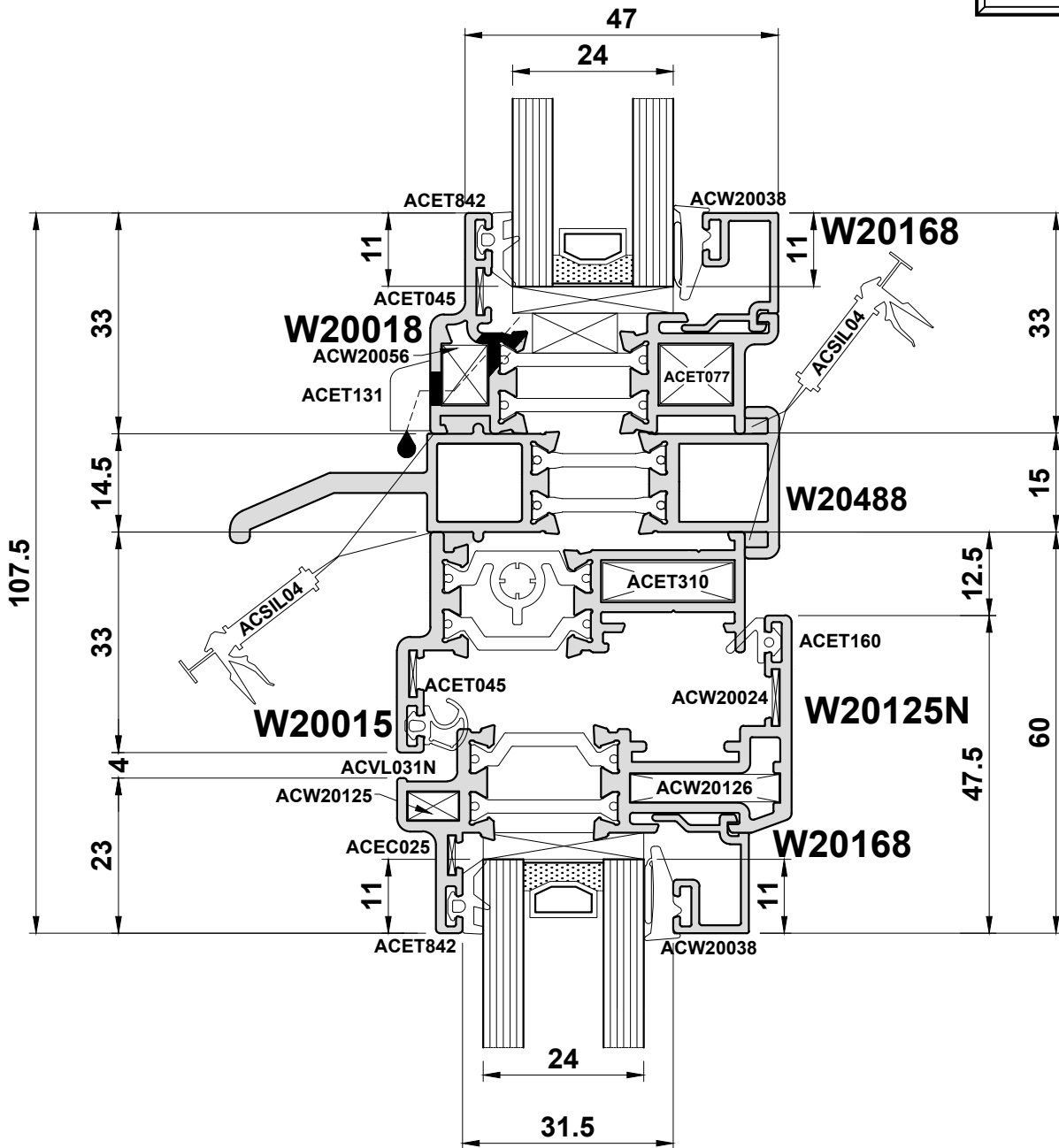
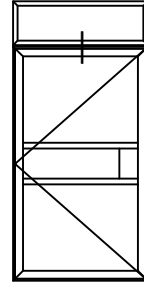
Do Not Scale From This Drawing

Detail 38



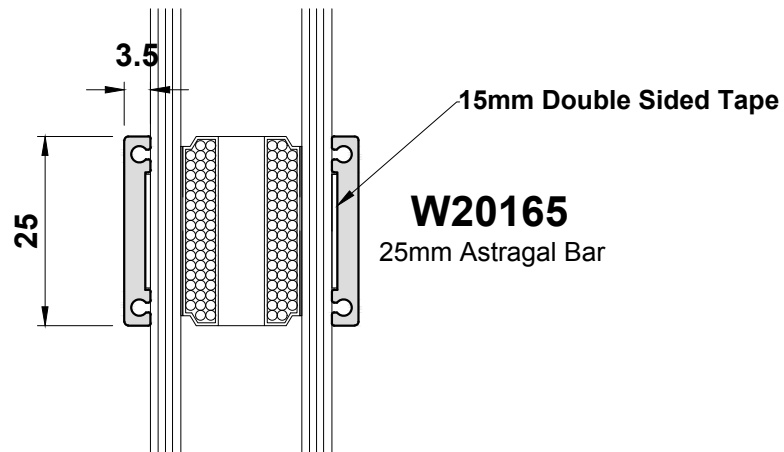
Do Not Scale From This Drawing

Detail 40

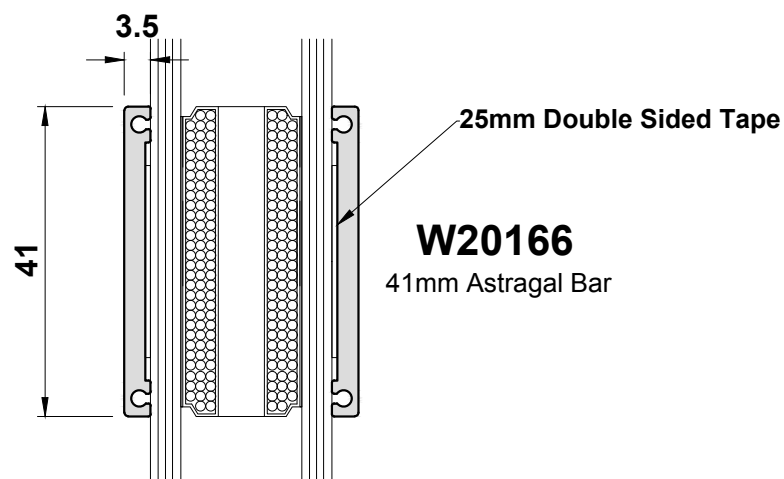


Do Not Scale From This Drawing

Detail 41A

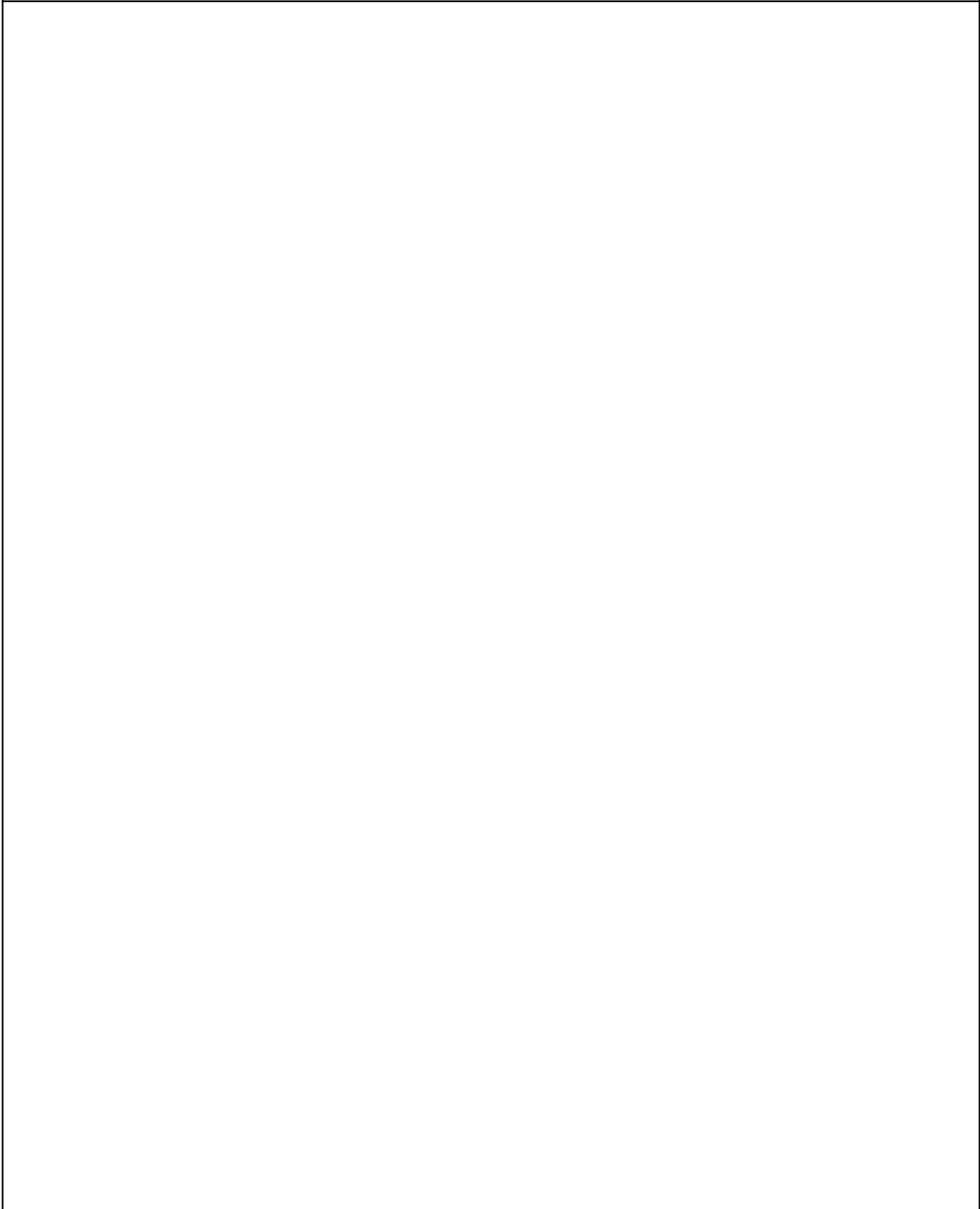


Detail 41B



Do Not Scale From This Drawing

SECTIONS



Do Not Scale From This Drawing

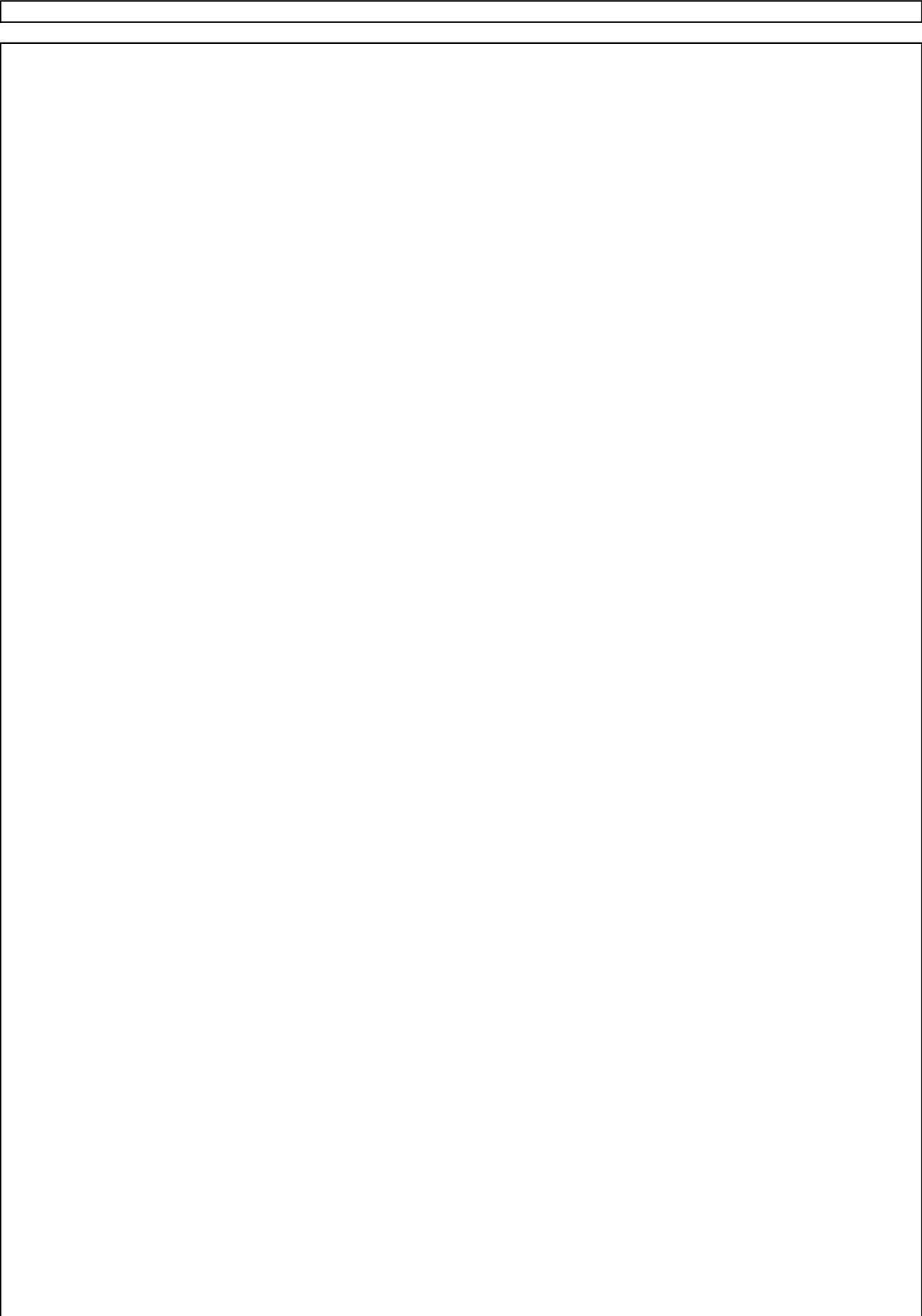
Section D

Statics

Open Out & In

General Size Limitations are shown on Page A03.

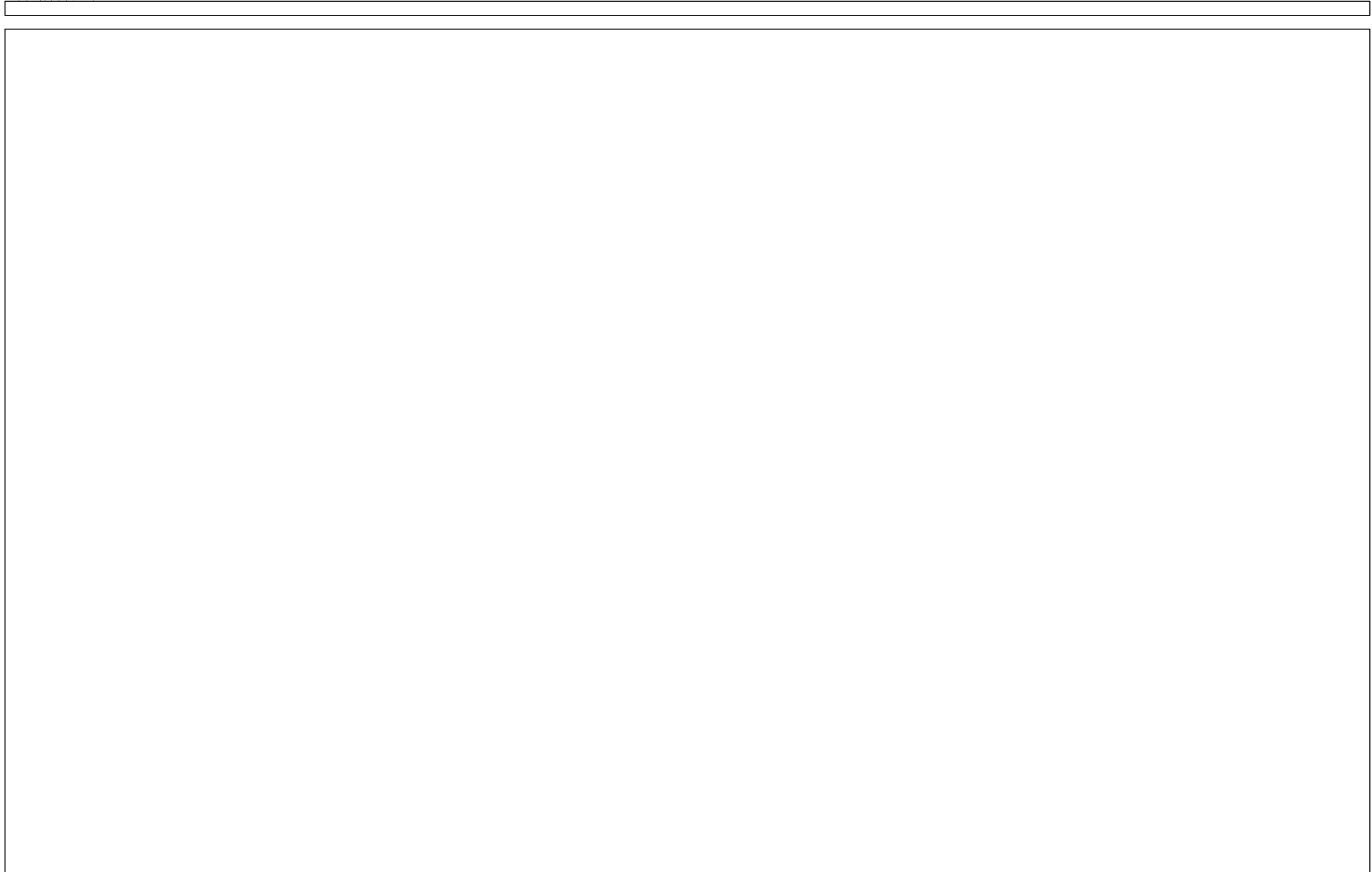
**For Wind Loading Limitations, Please Contact
The Technical Department - T: 01934 876100**



Section E

Construction Drawings

Corner Joint Details	Page E03
Corner Crimping	Page E04 - E05
Drainage	Page E06 - E07
Angled Sub Cill	Page E08
Mullion/Transom Details	Page E09 - E13
Friction Stays	Page E14 - E15
Friction Stay Accessories	Page E16
Lock Installation	Page E17 - E20
Window French Casement	Page E21
Peg Stays	Page E22
Tilt & Turn Size Chart	Page E23
Tilt & Turn Drainage	Page E24
Tilt & Turn Size Outer Frame & Sash Preparation	Page E25
Tilt & Turn Size Transom/Mullion	Page E26
Open Out Door Lock Preparation	Page E27 - E28
Open Out Meeting Stile Preparation	Page E29
Open Out Door Hinge Details	Page E30
90° Restrictor Installation	Page E31
Open In Door Lock Preparation	Page E32 - E33
Open In Meeting Stile Preparation	Page E34 - E35
Open In Door Hinge Details	Page E36
Glazing Details	Page E37 - E40
Bay Pole Options	Page E41 - E42
Example Layout	Page E43
Fixing Strap Guide	Page E44



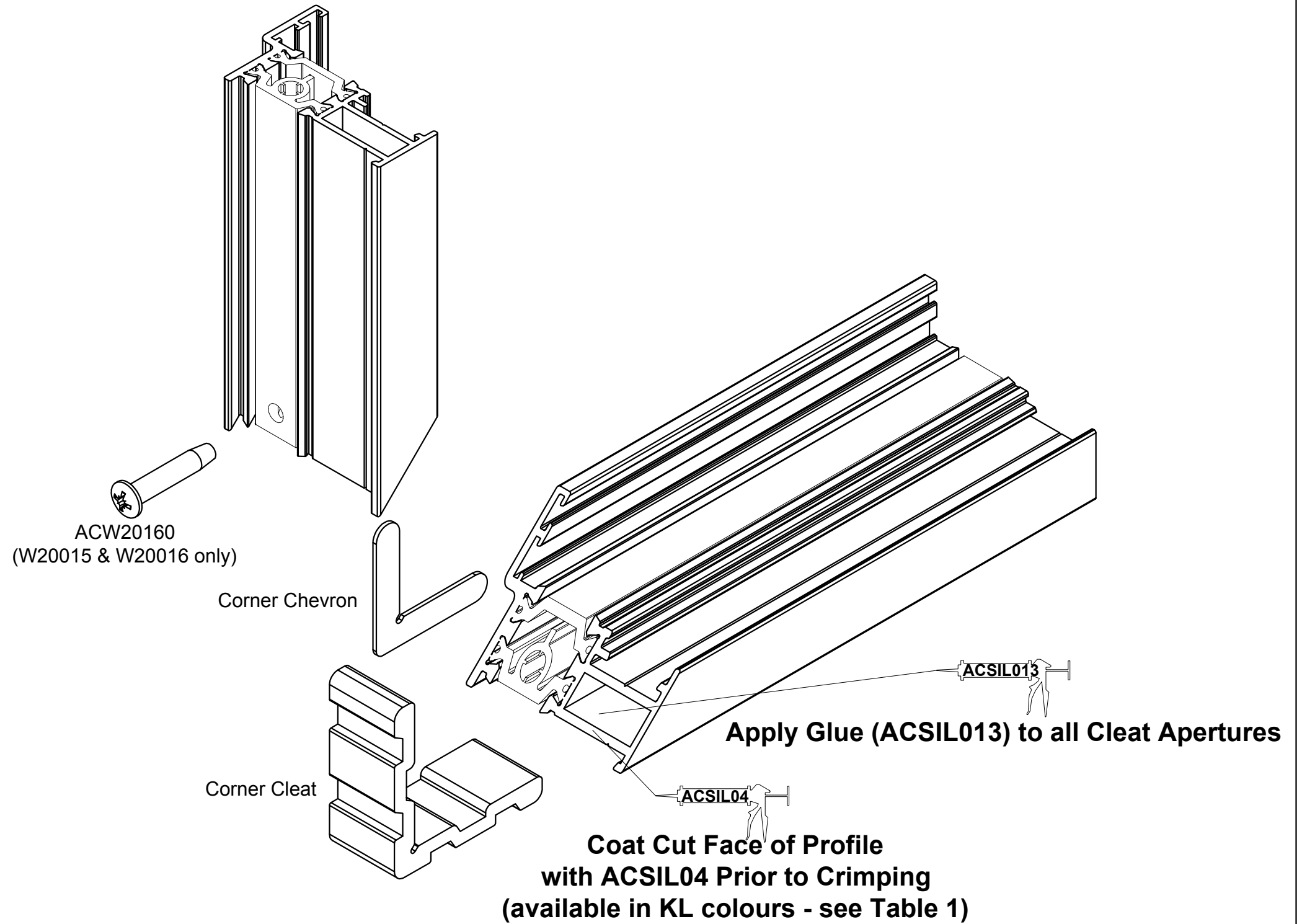
Corner Joint Details

Notes

1. Degrease mitre sections
2. Cover mitred faces with ACSIL04
3. Apply ACSIL013 to cleat chamber
4. Apply ACSIL04 to any fractures formed by crimping to make watertight

Table 1

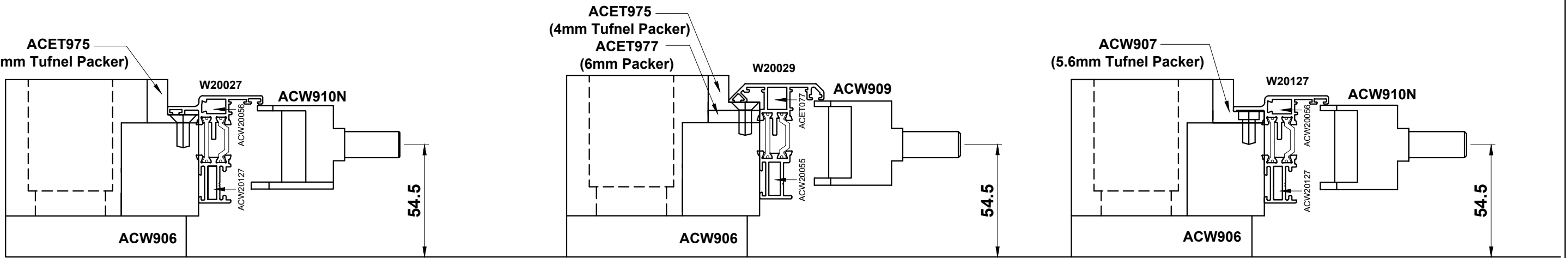
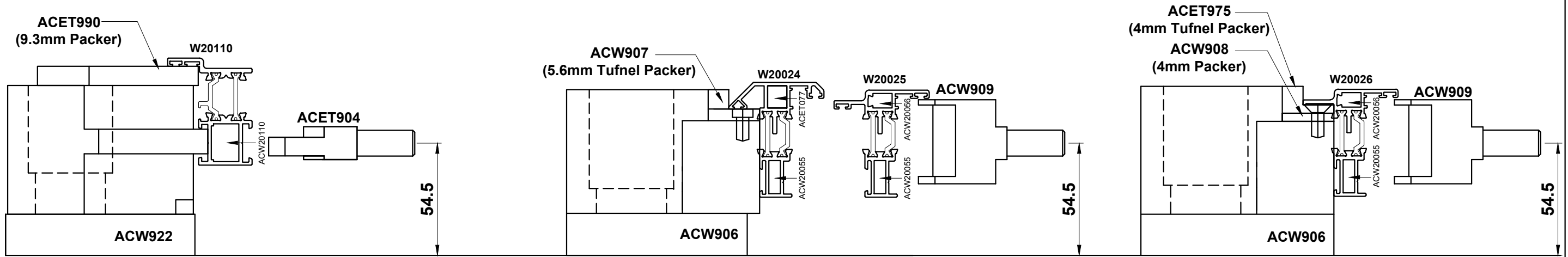
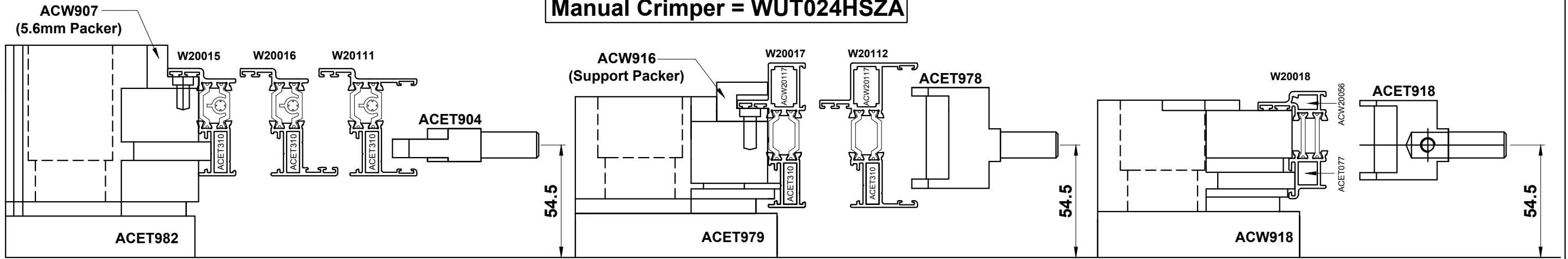
KL Colour	Sealant Part Number
Black	ACSIL04BL
White	ACSIL04WP
Clear	ACSIL04CL
KL001	ACSIL04KL001
KL002	ACSIL04KL002
KL003	ACSIL04KL003
KL004	ACSIL04KL004
KL005	ACSIL04KL005
KL006	ACSIL04KL006
KL007	ACSIL04KL007
KL010	ACSIL04KL010
KL011	ACSIL04KL011
KL012	ACSIL04KL012
KL013	ACSIL04KL013



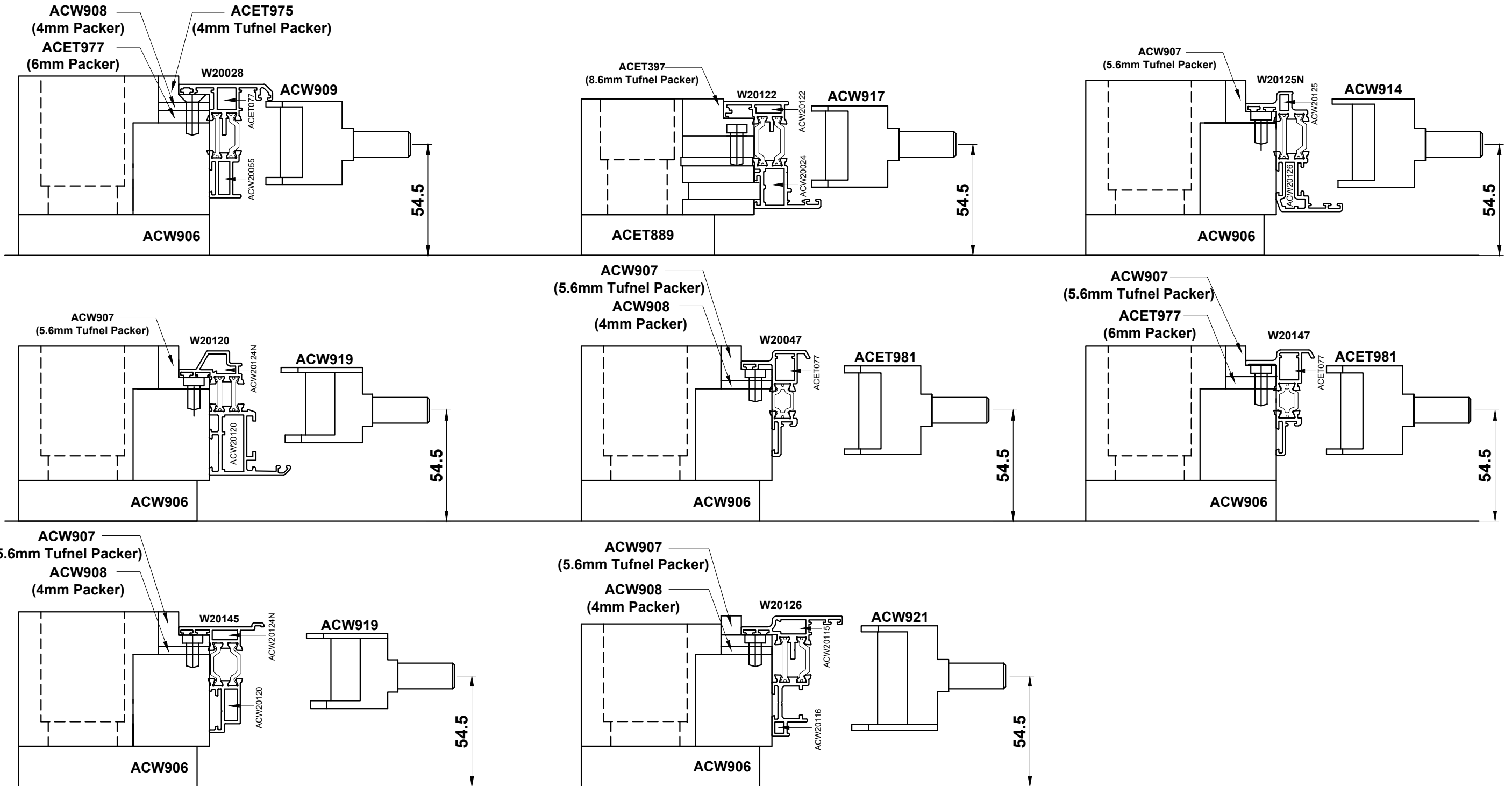
Do Not Scale From This Drawing

Crimping Details

Manual Crimper = WUT024HSZA

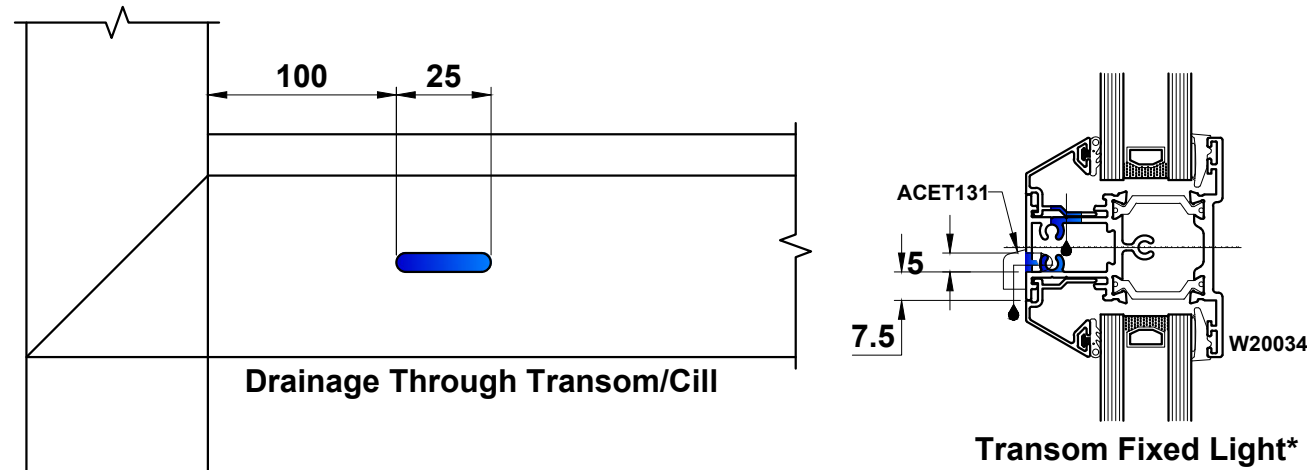


Do Not Scale From This Drawing

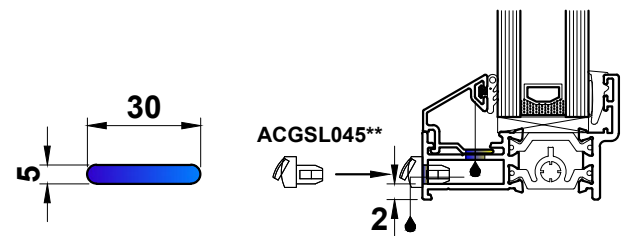
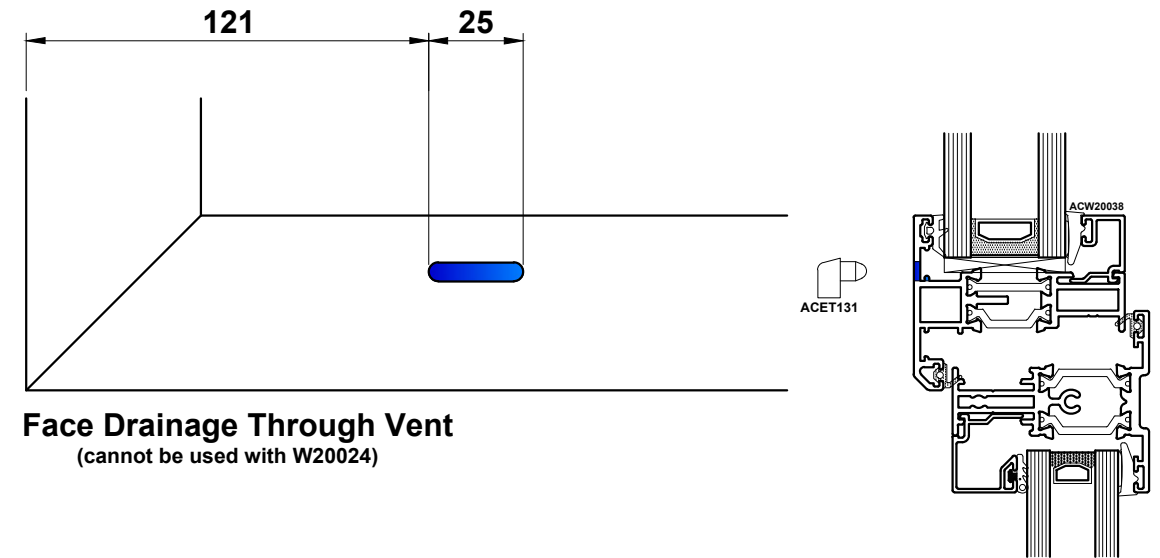


Do Not Scale From This Drawing

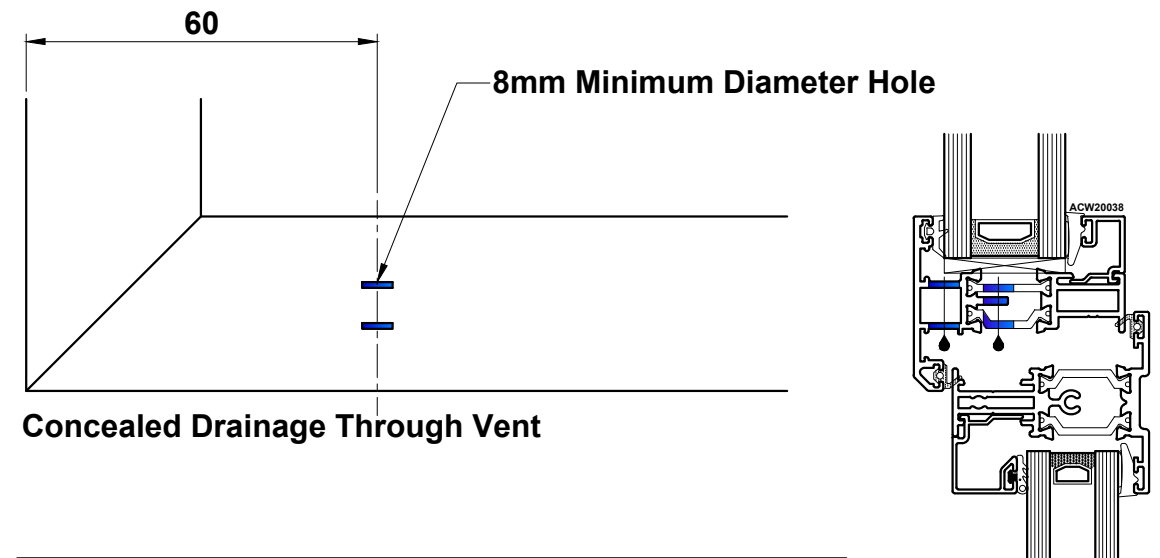
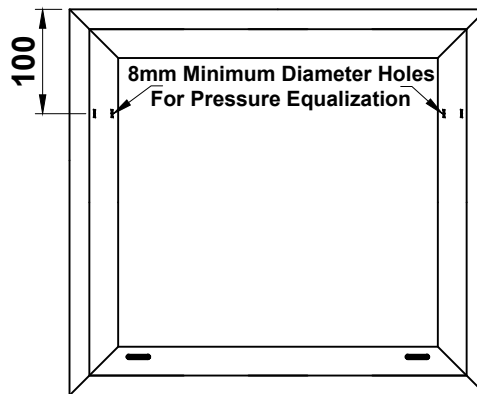
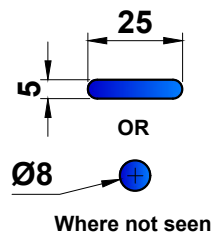
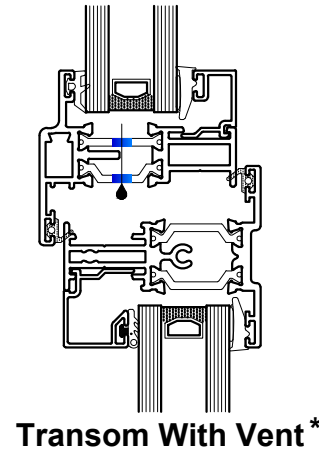
Window Drainage



* **Note:** Transoms will drain through the join to the outerframe. If face drainage is preferred, wider transom W20034 must be used.



**ACGSL045 must be used here as water drains through the front of the cap. ACGSL045 may also be used throughout the system.



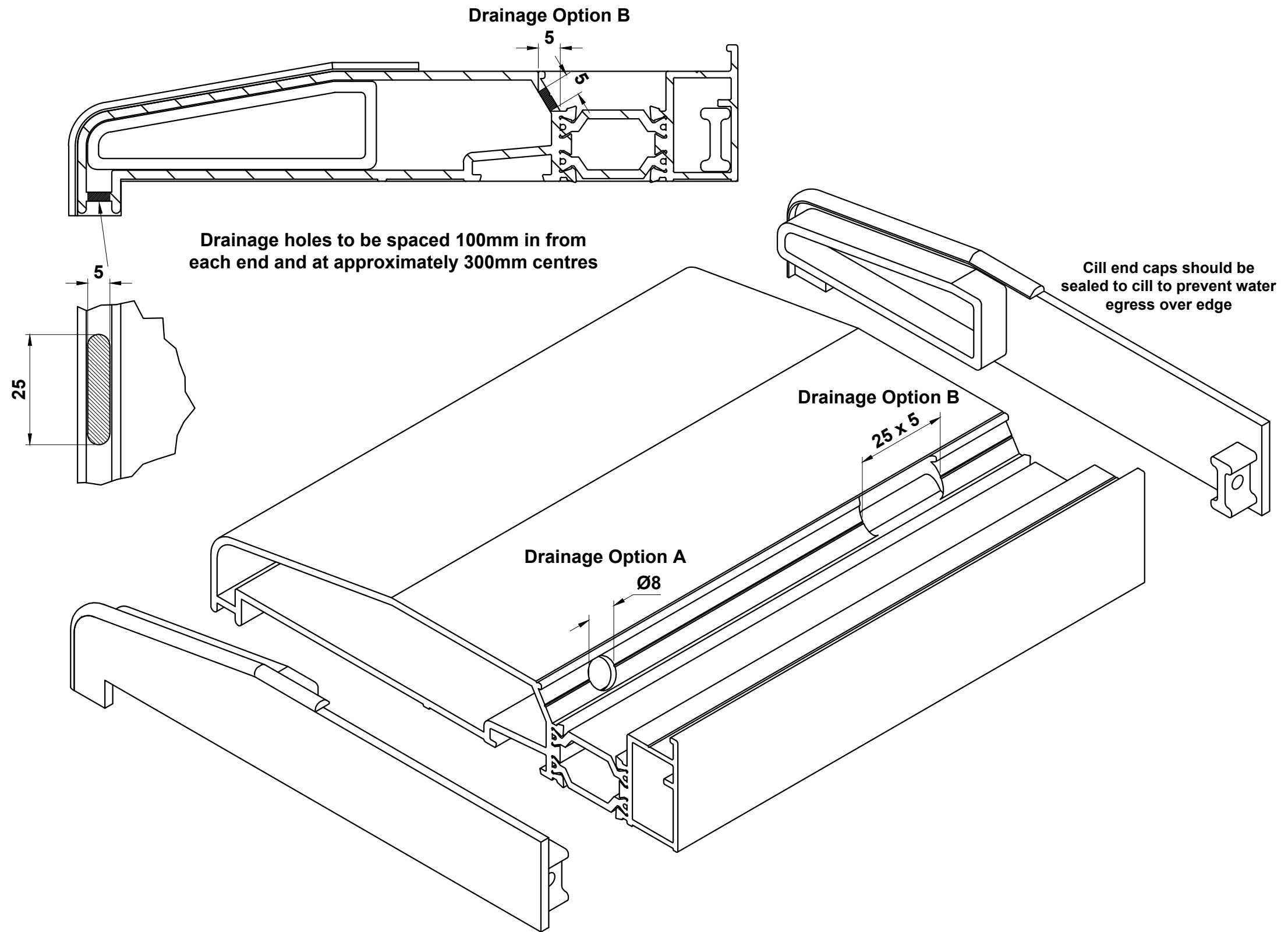
Important Note: All exposed aluminium should be coated using ACSIL014 or painted to match the frame.

Outerframe With Cill

Outerframe With Reverse Adaptor

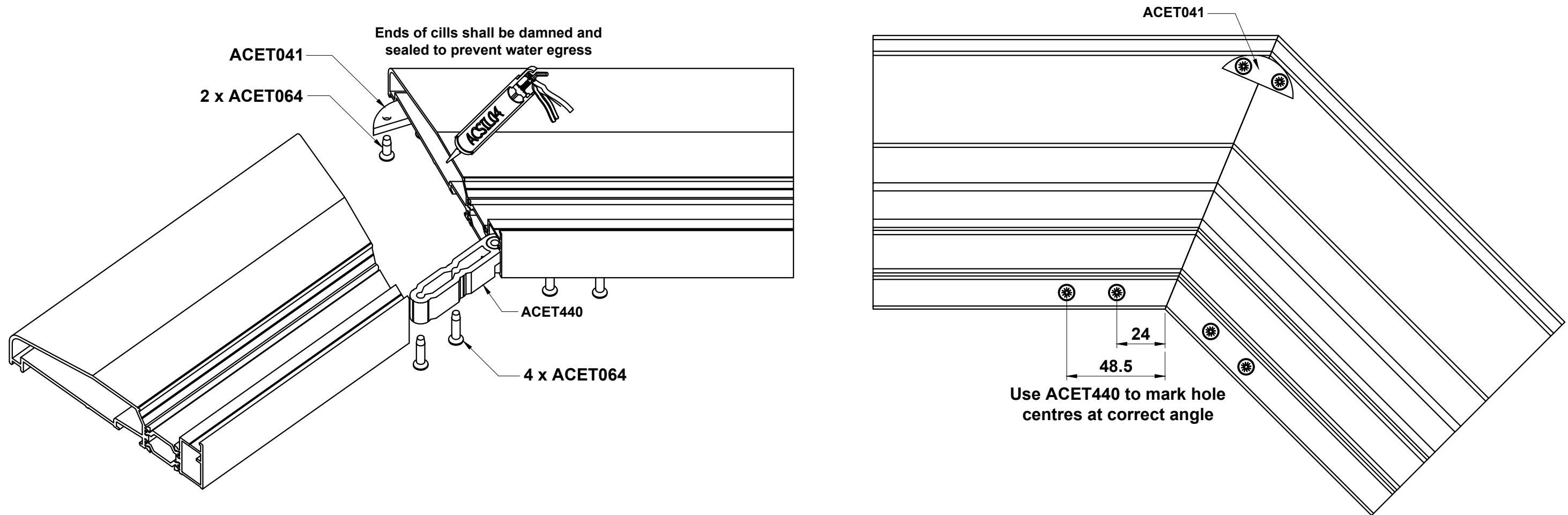
Do Not Scale From This Drawing

Cill Drainage



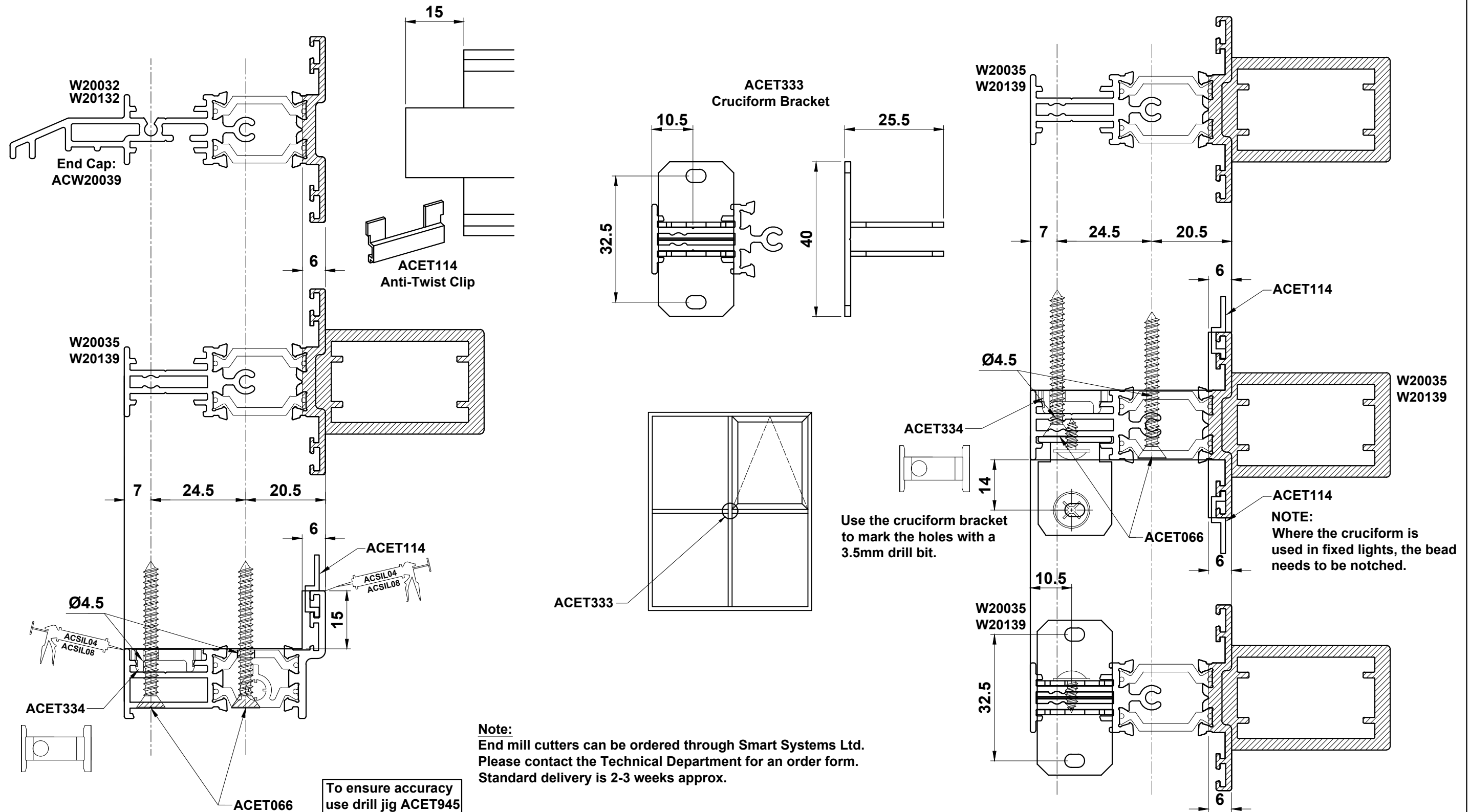
Do Not Scale From This Drawing

Angled Sub Cill

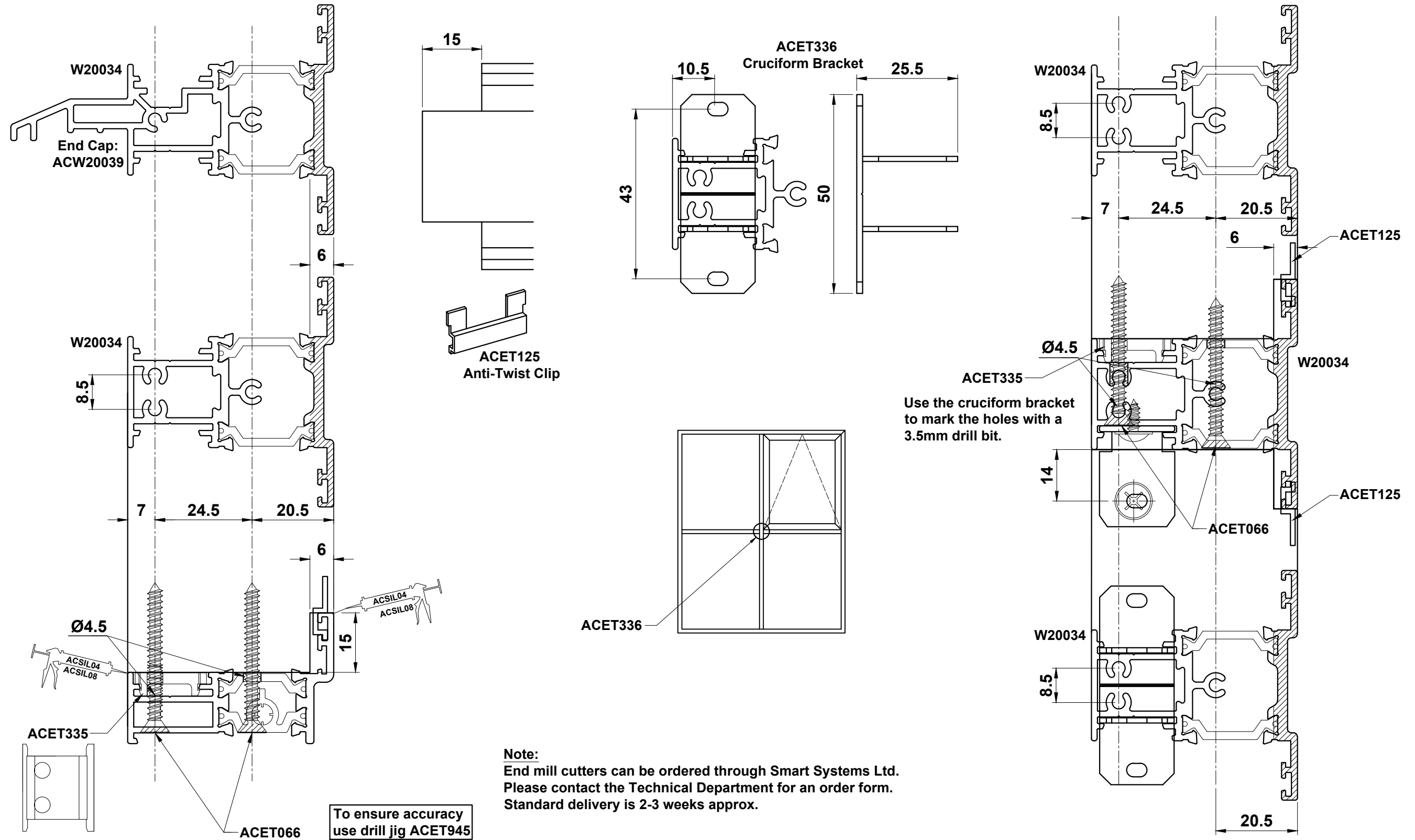


Do Not Scale From This Drawing

Mullion/Transom Detail

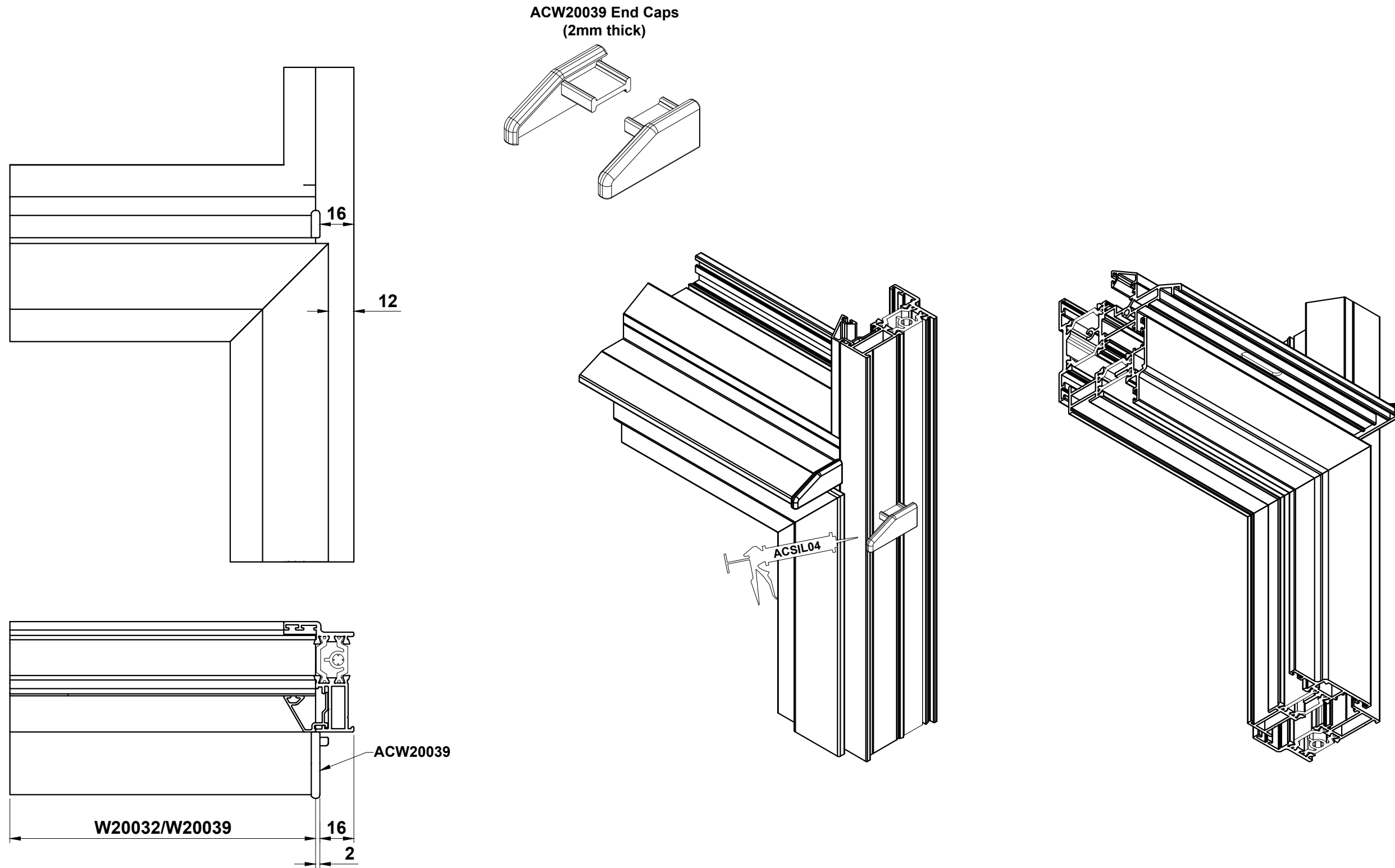


Mullion/Transom Detail



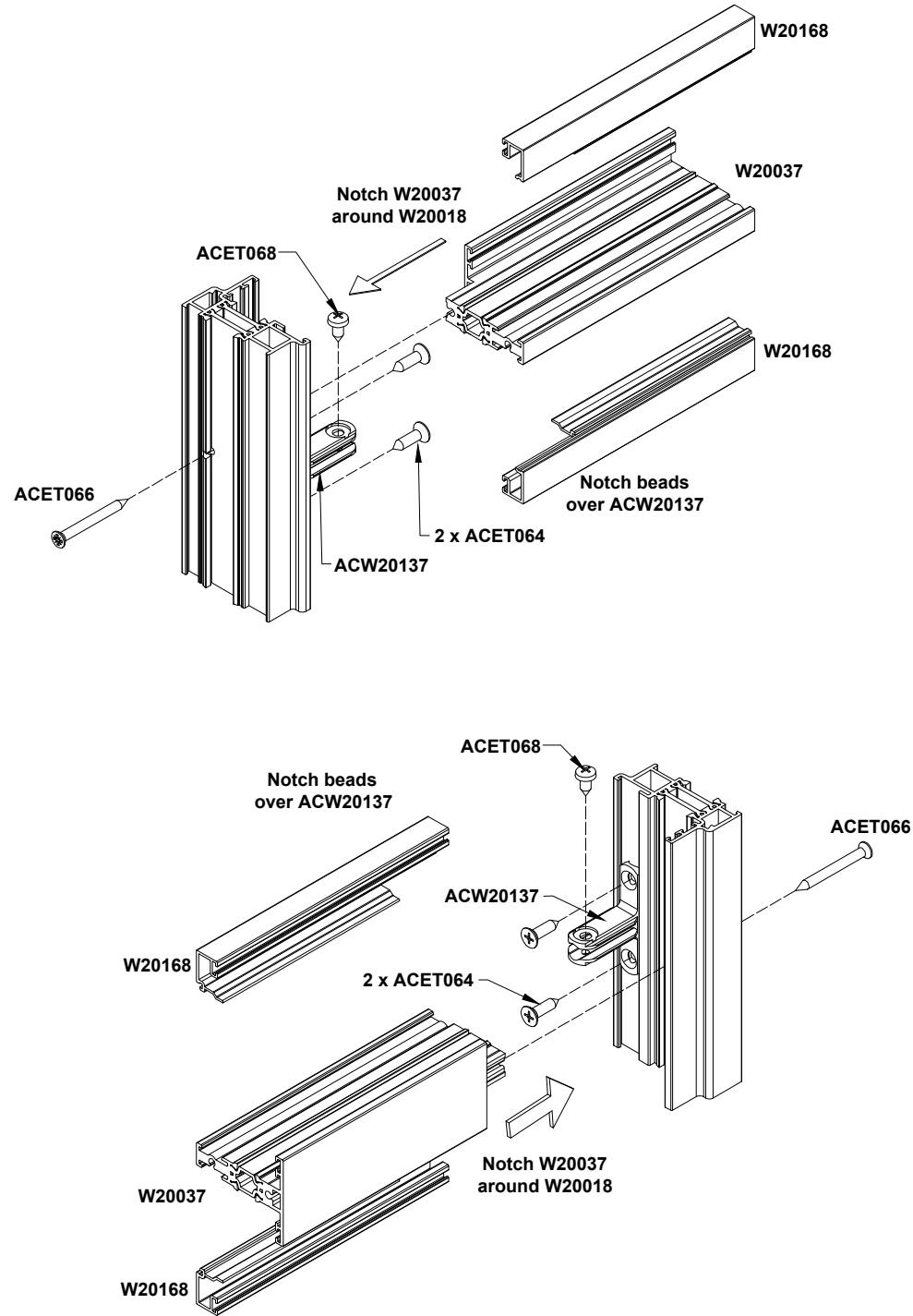
Do Not Scale From This Drawing

W20032, W20039 & W20132 Transom Detail

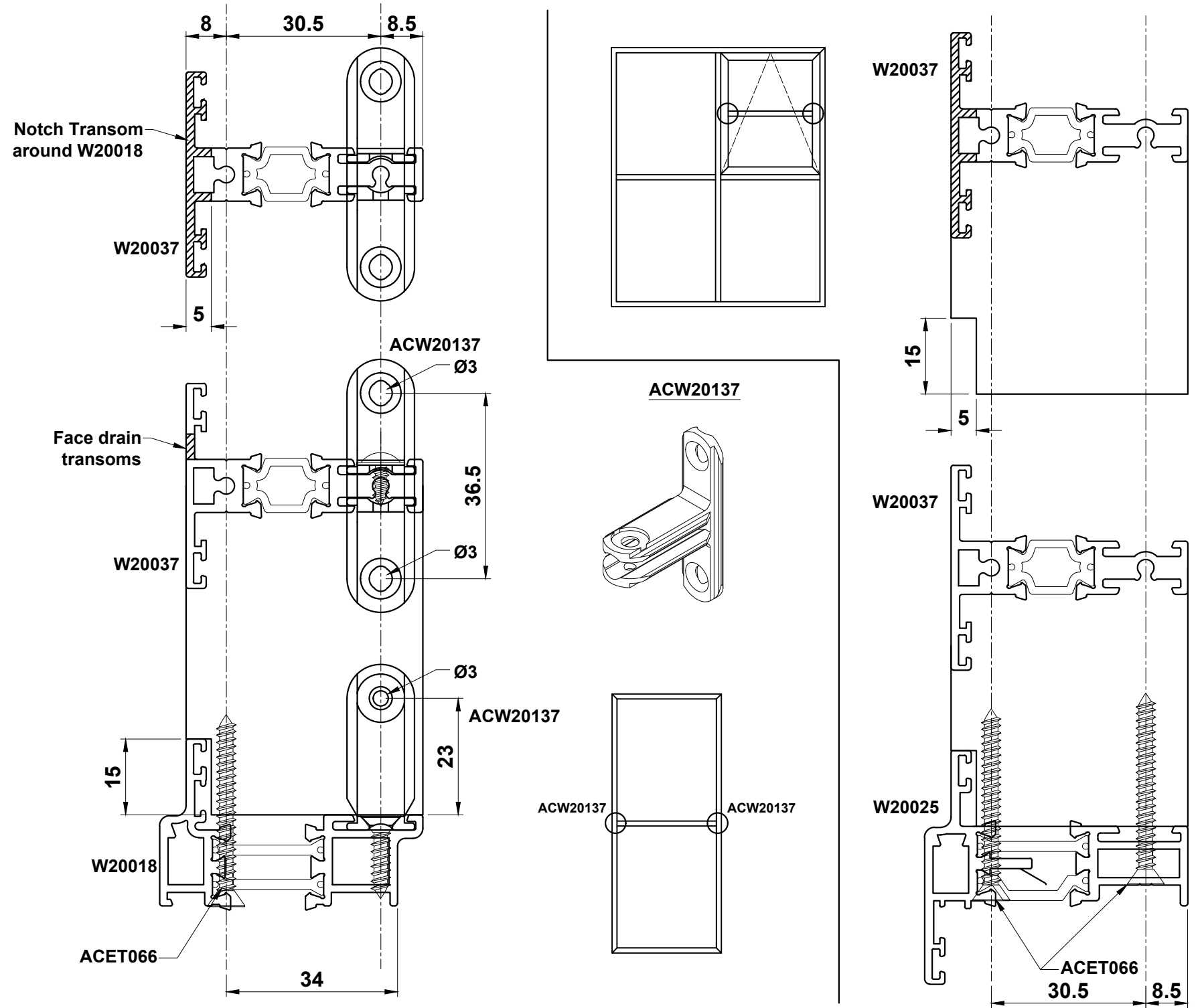


W20037 Transom & Dummy Transom Detail

W20018 with W20037 Transom



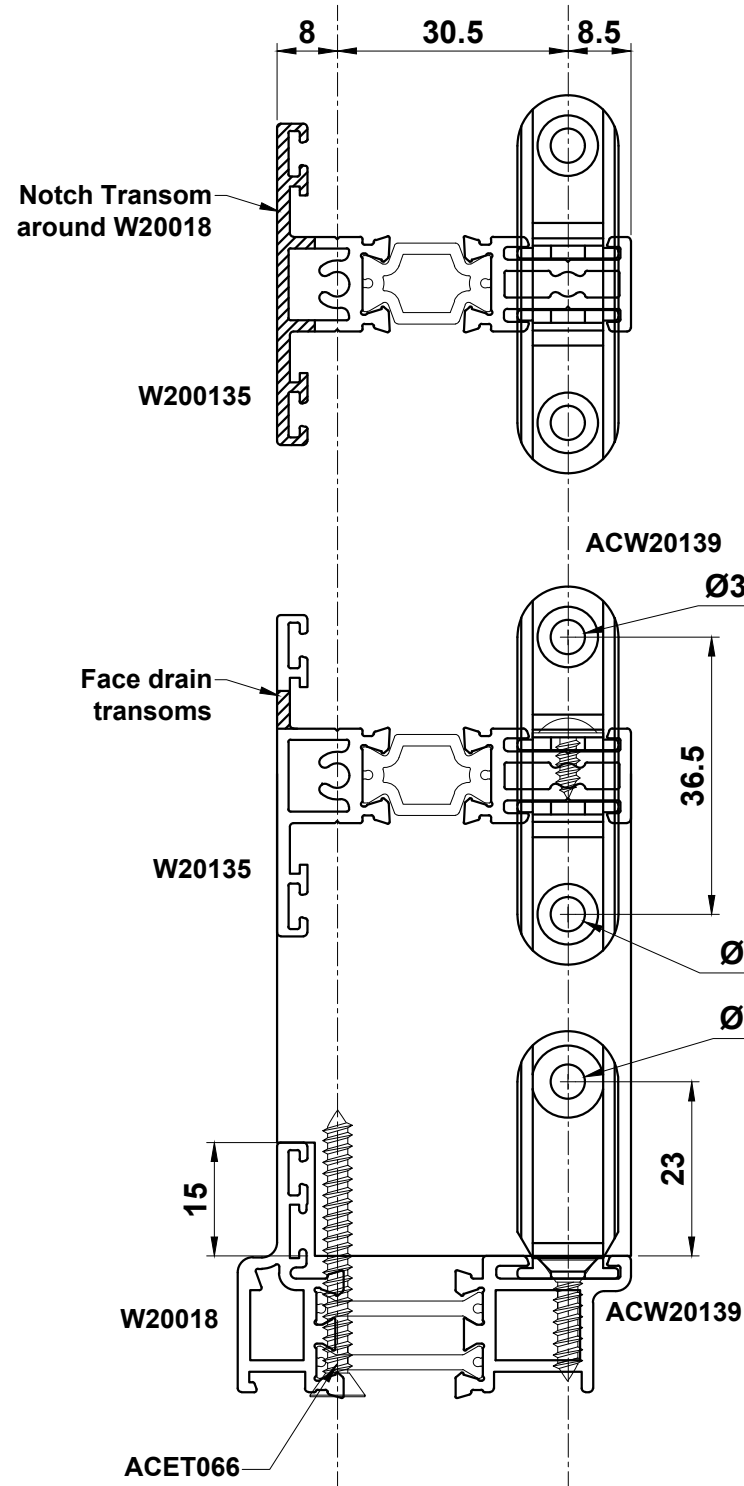
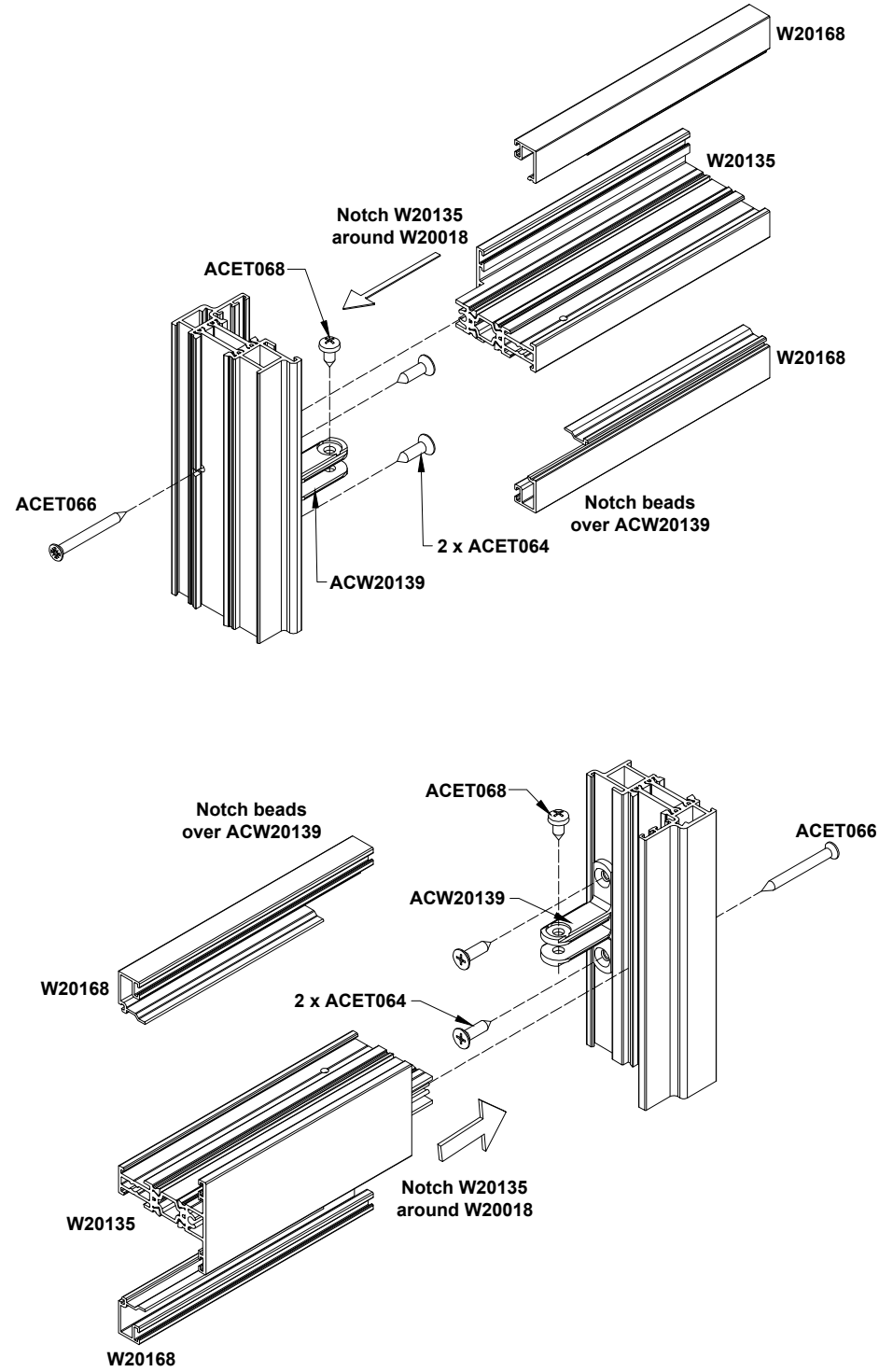
W20025 with W20037 Dummy Transom



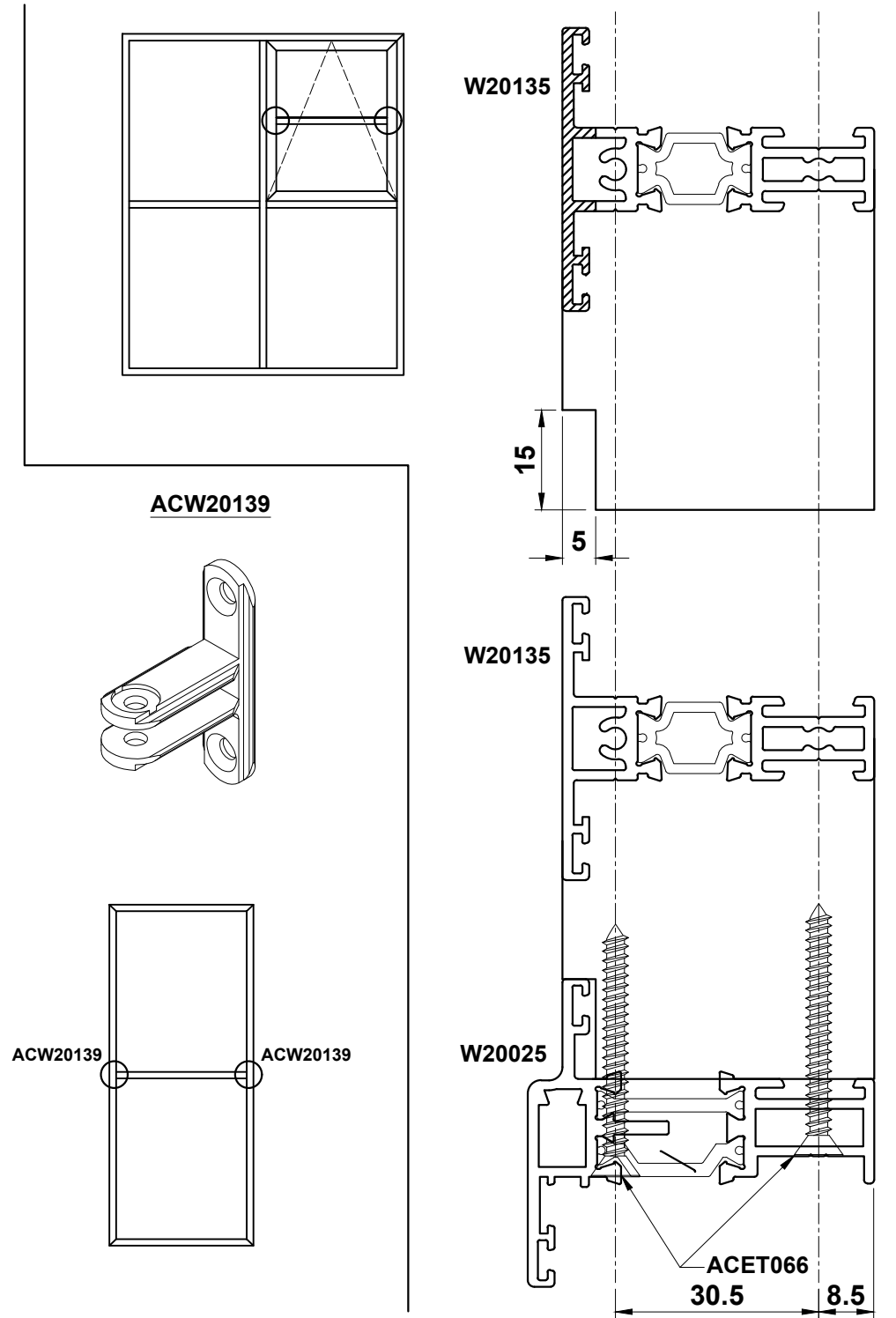
Do Not Scale From This Drawing

W20135 Transom + Dummy Transom Detail

W20018 with W20135 Transom



W20025 with W20037 & W20135 Dummy Transom

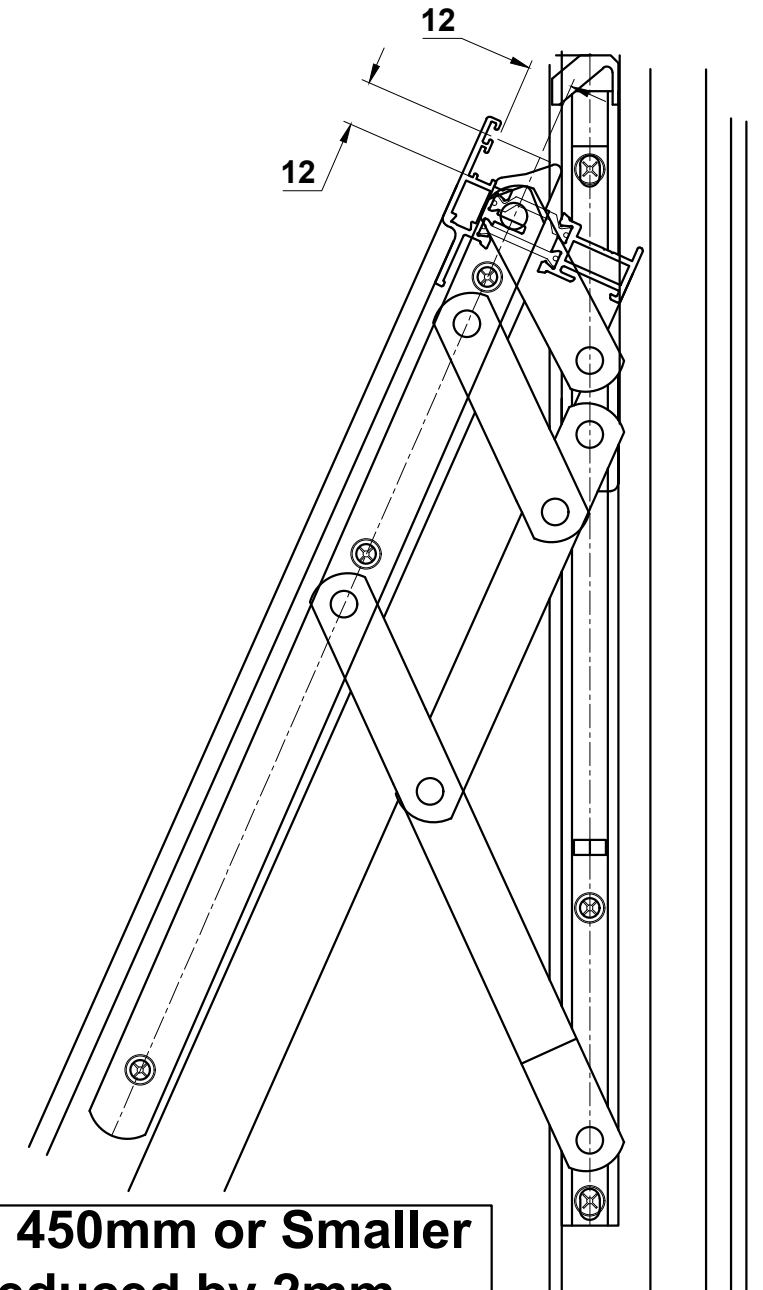
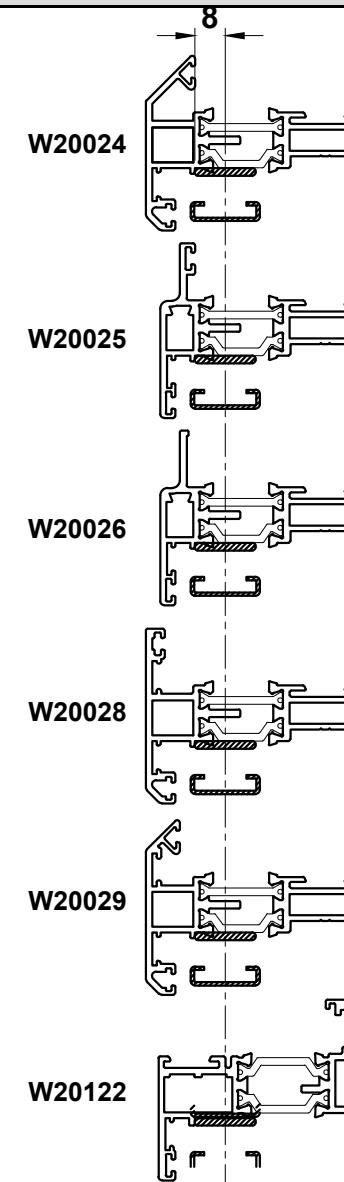
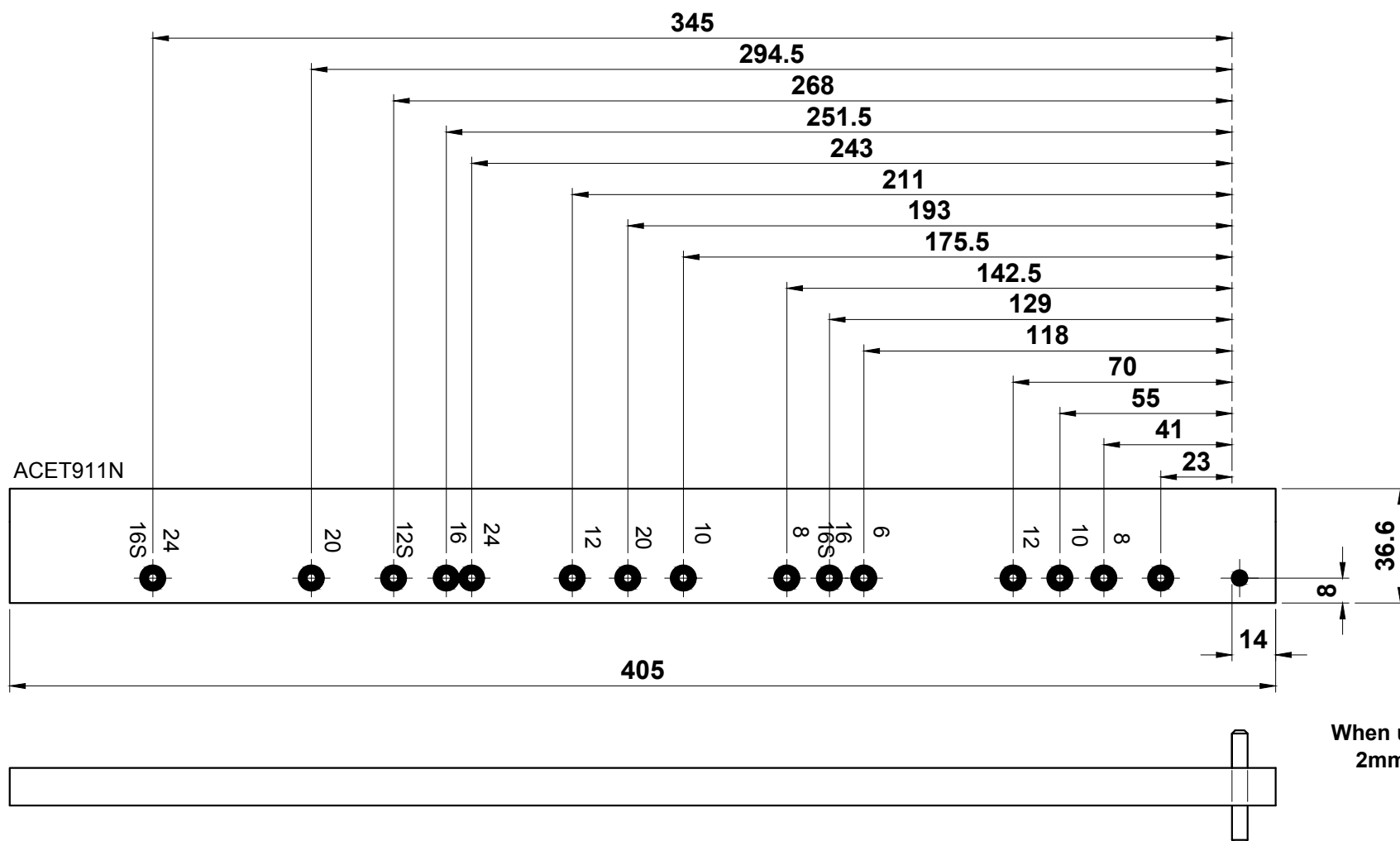
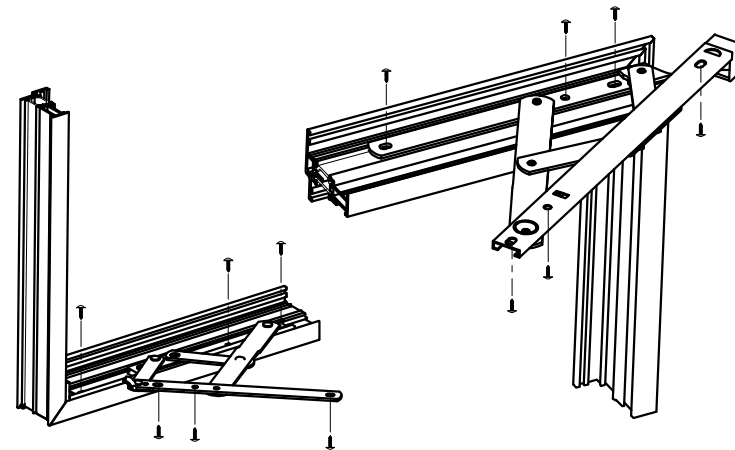


Friction Stay Details

To ensure accuracy use drill jig ACET911N.
Numbers indicate stay length in inches, numbers followed by an 'S' are used for side hung stays.



ACET070 = Recommended Screw



**Vent Sizes 450mm or Smaller
to be Reduced by 2mm**

Important Note:

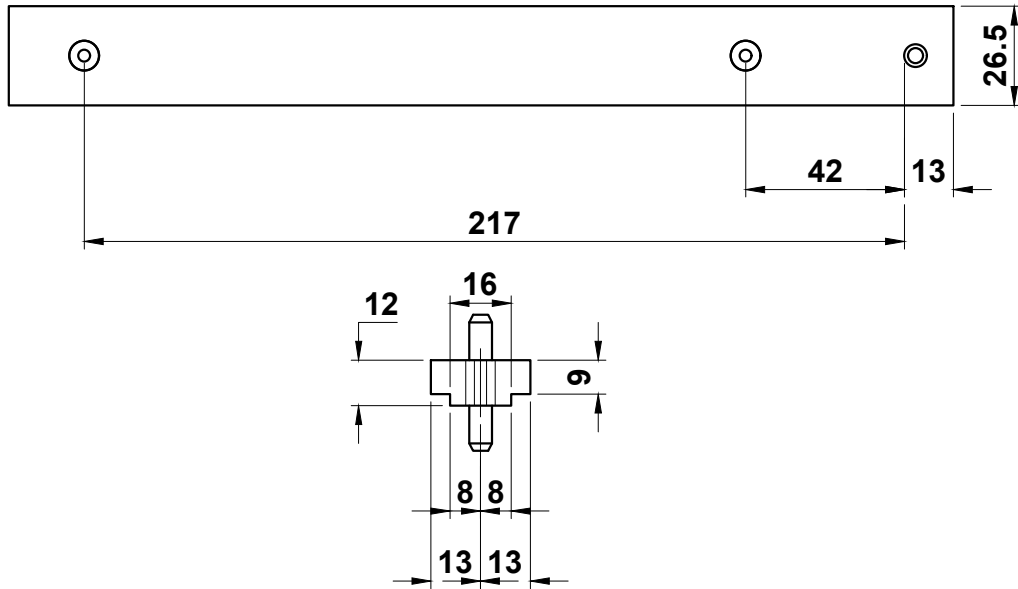
When using ACW20060 as a window hinge with the ACW201-205 reverse espagnolette locks, a further 2mm must be deducted from the sash locking edge for sashes under 600mm OR 1mm for sashes between 601-700mm.

If in doubt, contact our technical department for further information - Tel: 01934 876 100
For ACINDP24 use first hole in drill jig only.

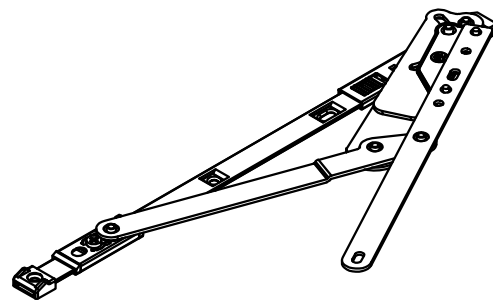
Do Not Scale From This Drawing

Egress Friction Stay Details

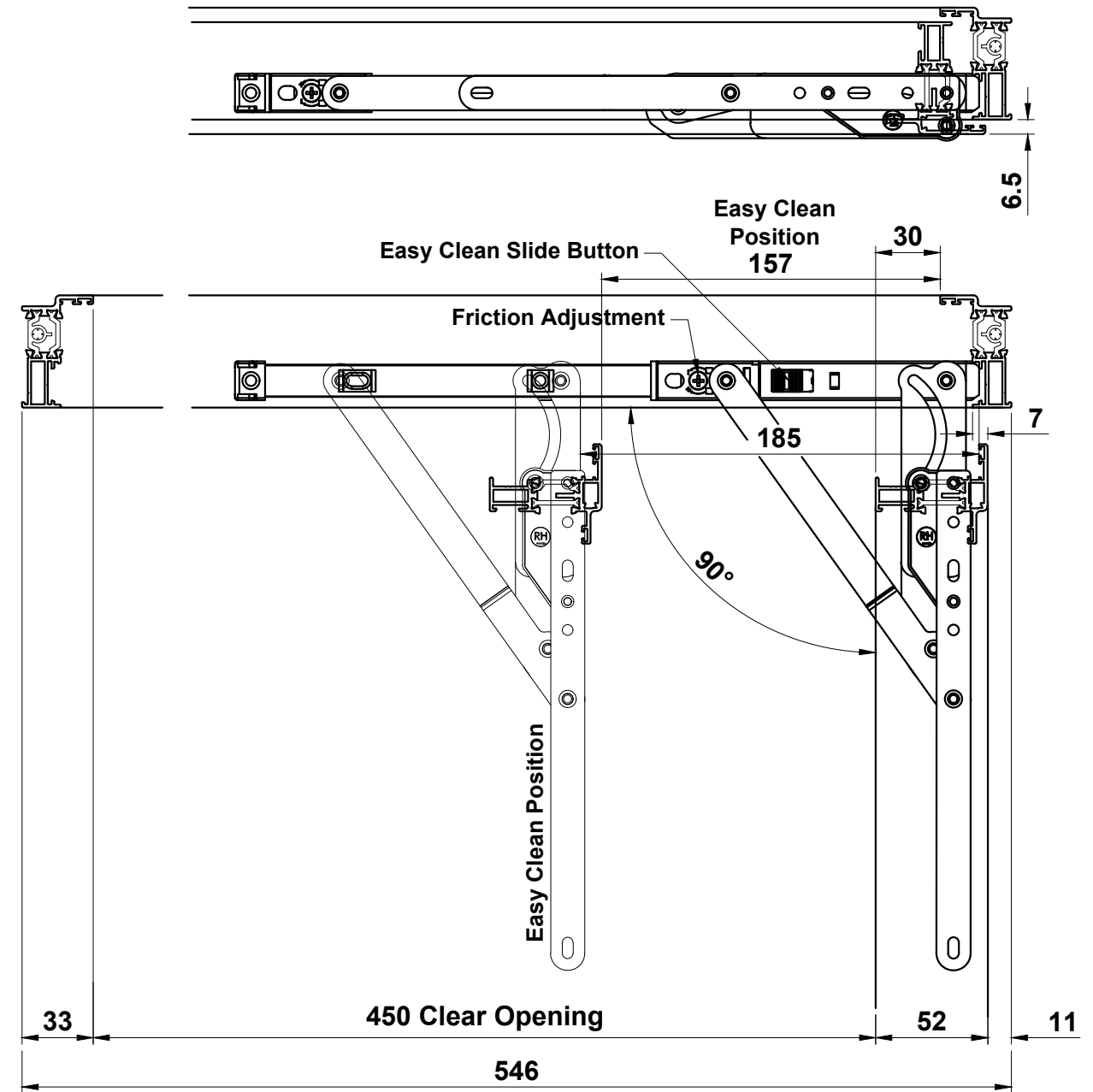
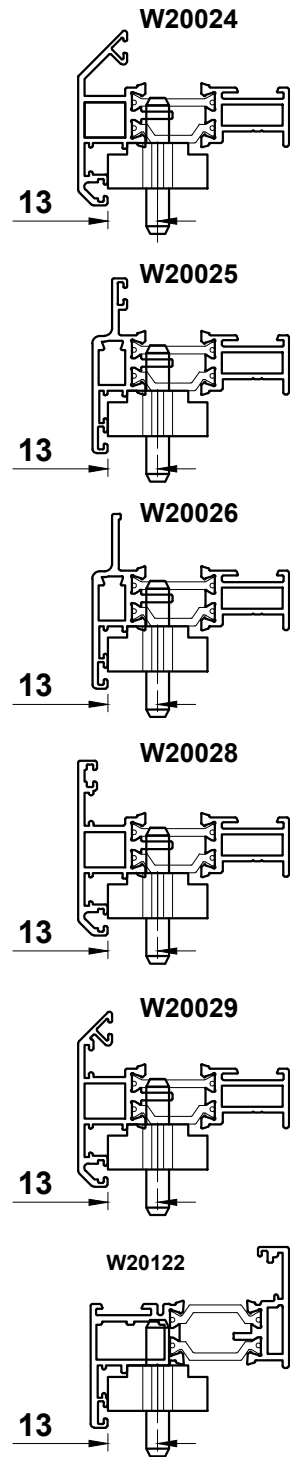
ACETME13
13mm Stack Egress Hinge
Jig = ACETME93



**Vent Sizes 450mm or Smaller
to be Reduced by 2mm**



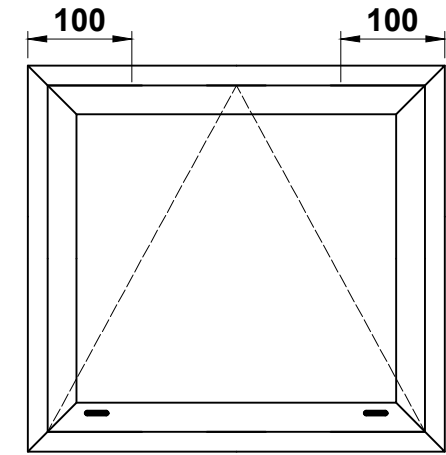
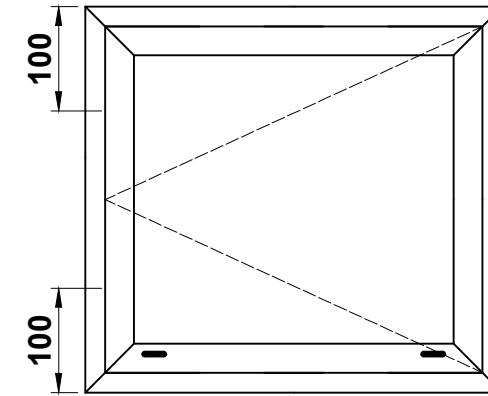
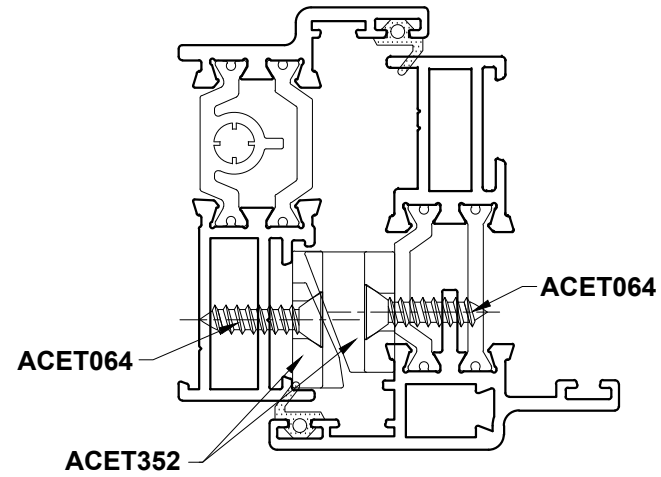
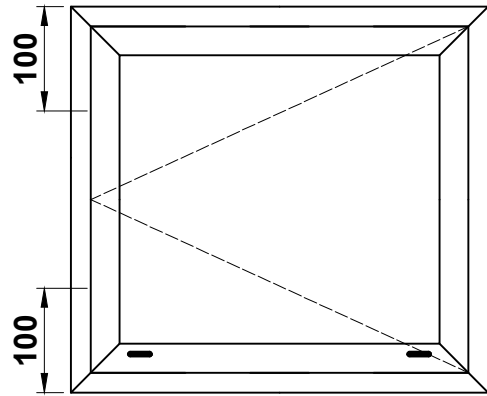
Alitherm Heritage



For further information regarding clear openings, please see
the Smart Systems' White Paper Document B

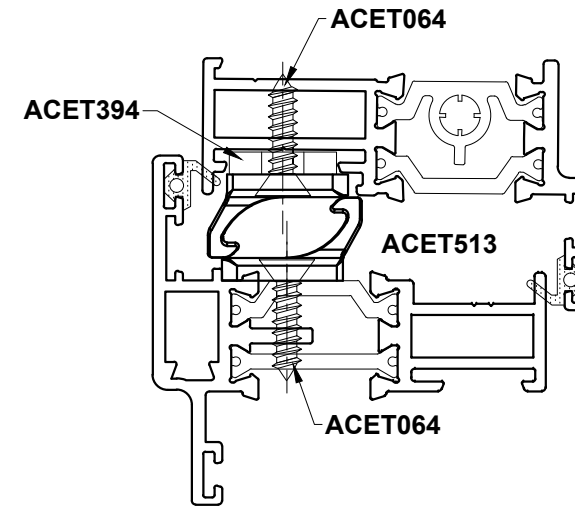
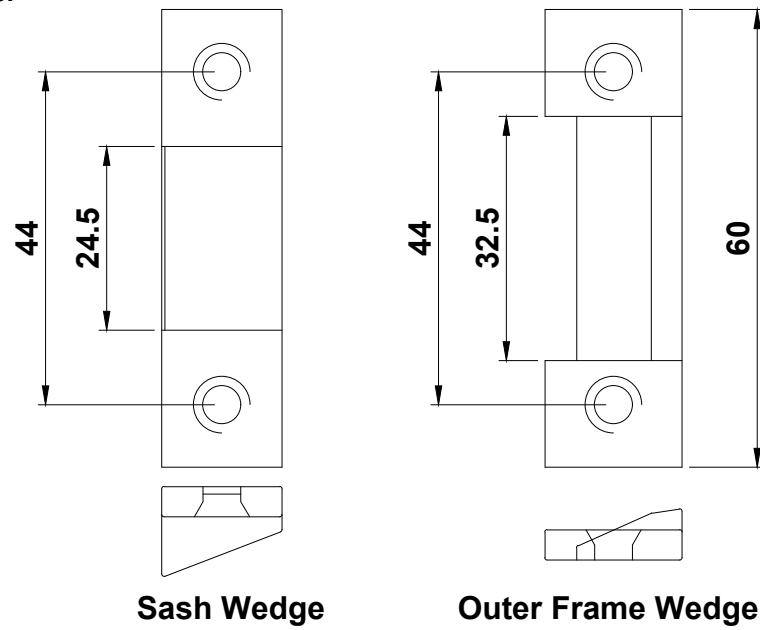
Do Not Scale From This Drawing

Friction Stay Accessories



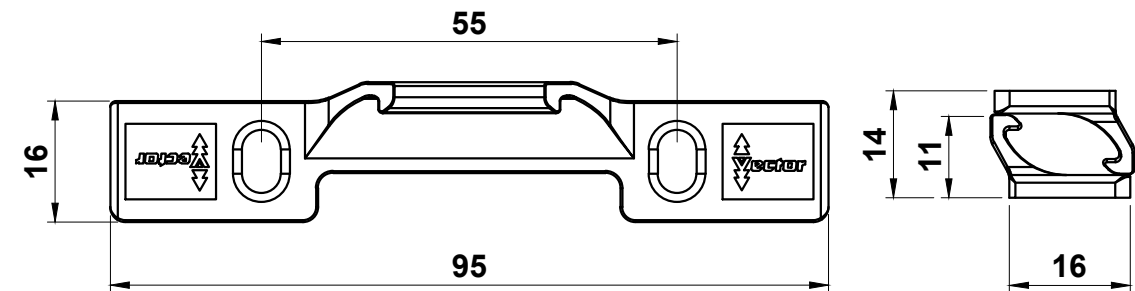
Please Note:

- 2 pairs per opening vent to be fitted to hinged side of window
- Each pair must be fitted with the wedge centre within 100mm of each hinge and in the centre of the window when sash height is greater than 800mm.



Please Note:

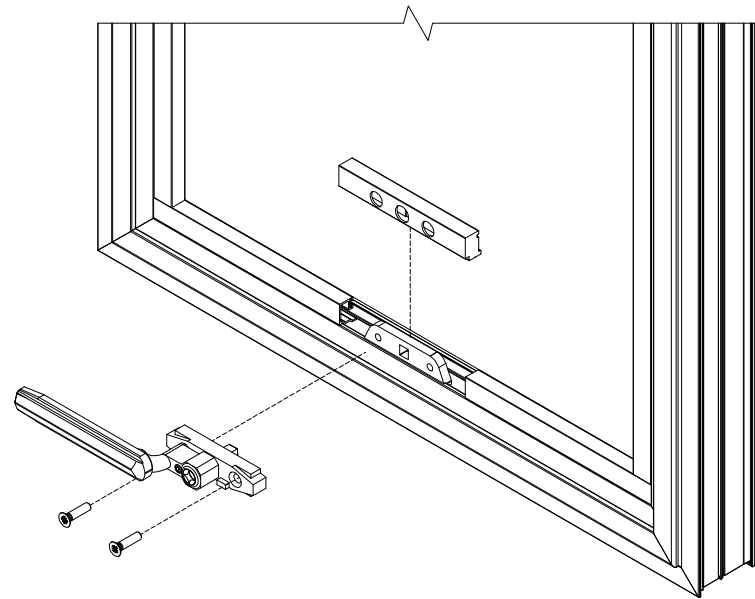
- 2 pairs per opening vent to be fitted to hinged side of window
- Each pair must be fitted with the hook centre within 100mm of each hinge



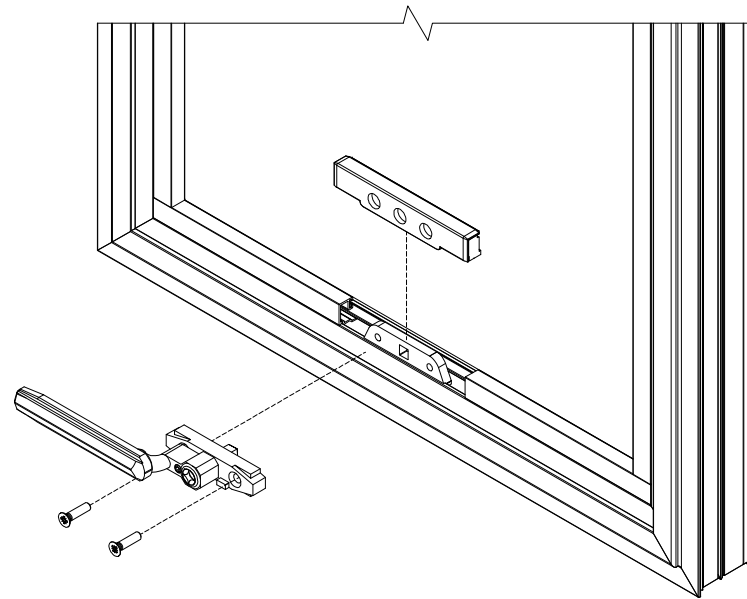
Do Not Scale From This Drawing

Handle Block Fitting

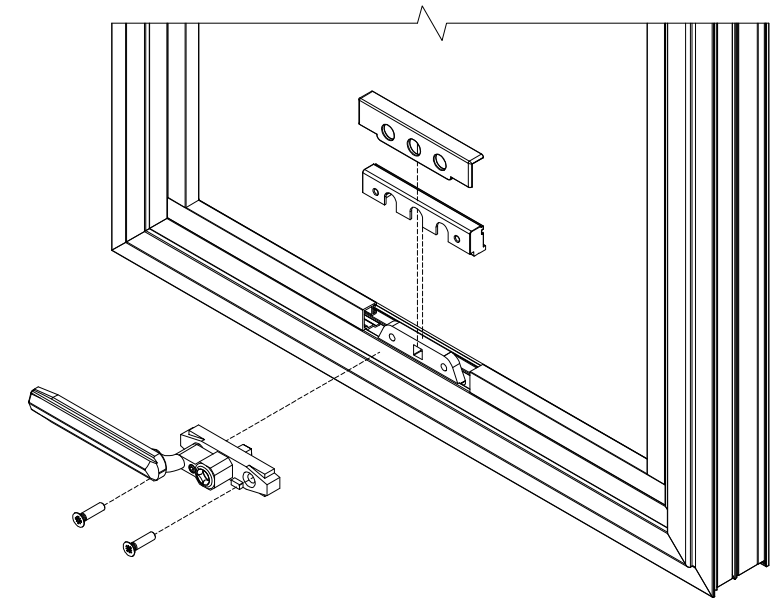
ACW20028/029



ACW20128/129



ACW20228/229

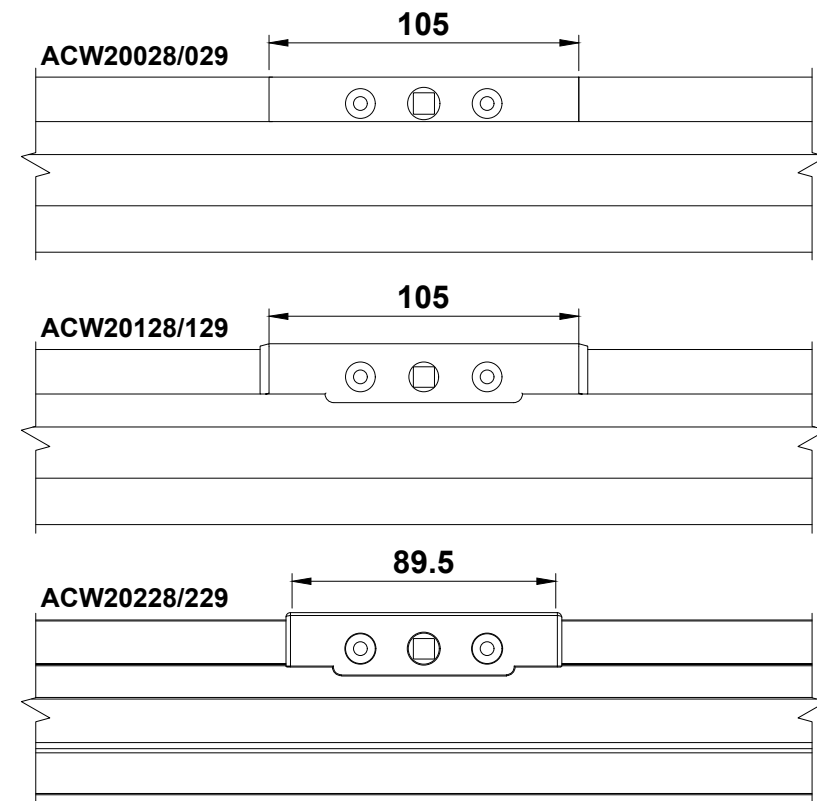
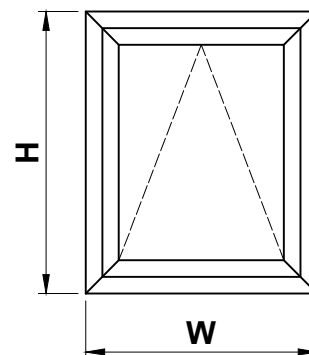


Important Information:

- When using ACW20060 as a window hinge with the ACW201-205 reverse espagnolette locks, a further 2mm must be deducted from the sash locking edge for sashes under 600mm OR 1mm for sashes between 601-700mm.
- ACW20228 & ACW20229 Provides a feature for fitting the handle in the bead line by raising the fitting platform and overlapping the bead join.
- Handle blocks required with beads W20168 & W20171.
- For handles ACW20100 and ACW20101 please drill central hole of handle block out to Ø12mm. Please note that these handles are hand made and dimensions may vary slightly.
- The bead must be fitted prior to cover component of ACW20228 & ACW20229.

If in doubt, contact our technical department for further information - Tel: 01934 876 100

Espag Handle Options
ACET165
ACSM002
ACW20165
ACW20100
ACW20101
ACSM010SS*

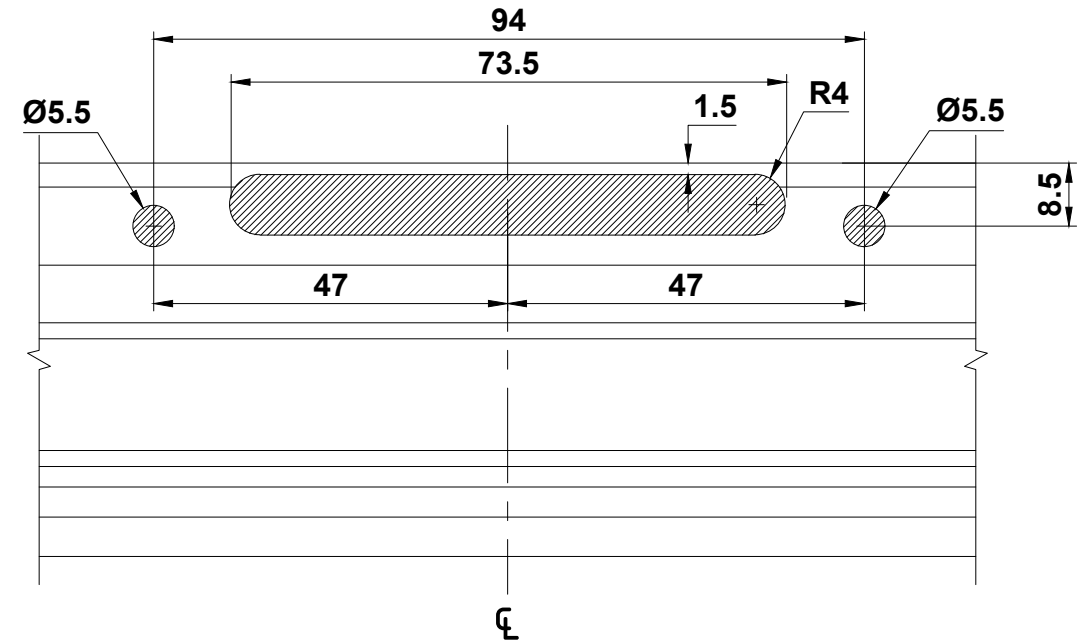
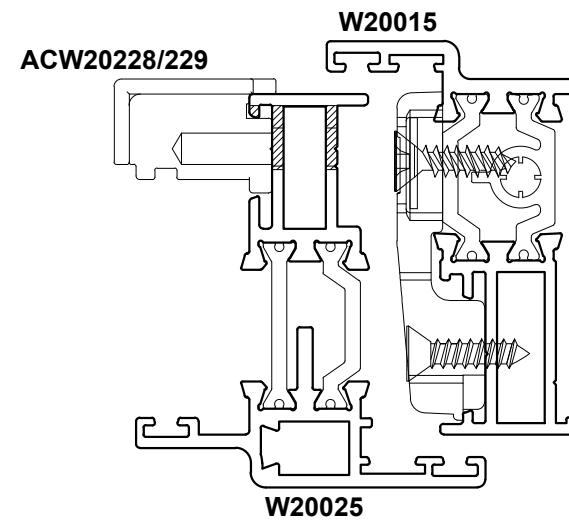
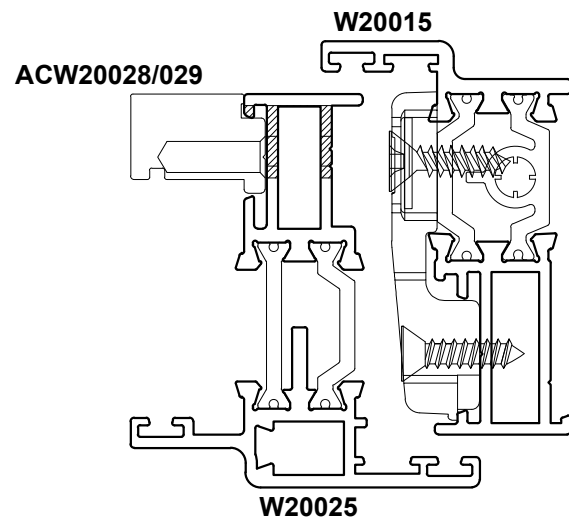


*ACSM010SS should only be used with ACW128/129 & ACW20228/229

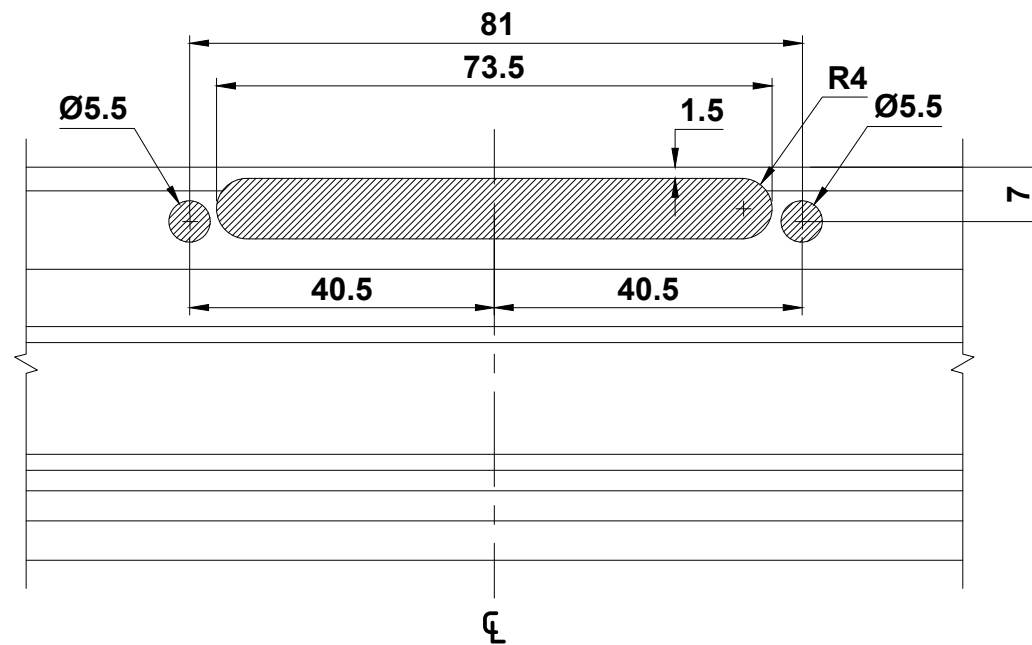
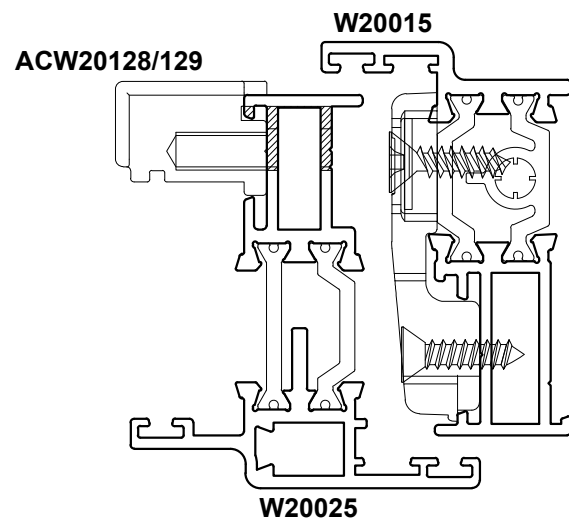
Do Not Scale From This Drawing

Handle Block and Espagnolette Prep

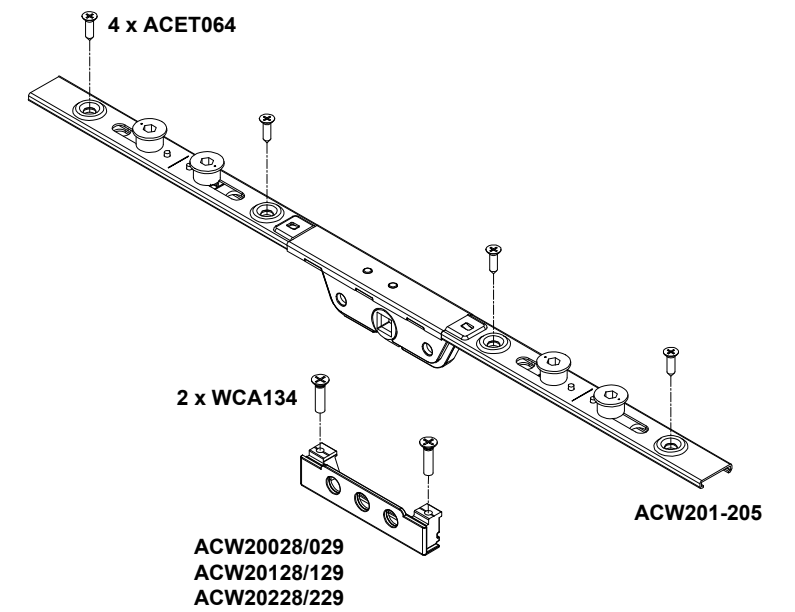
Sash Preparation for ACW201-205 Espag
and ACW20028/029/128/129



Sash Preparation for ACW201-205 Espag
and ACW20228/229



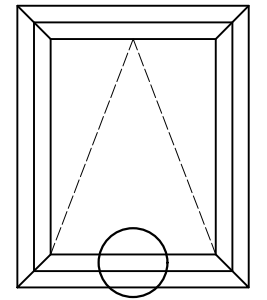
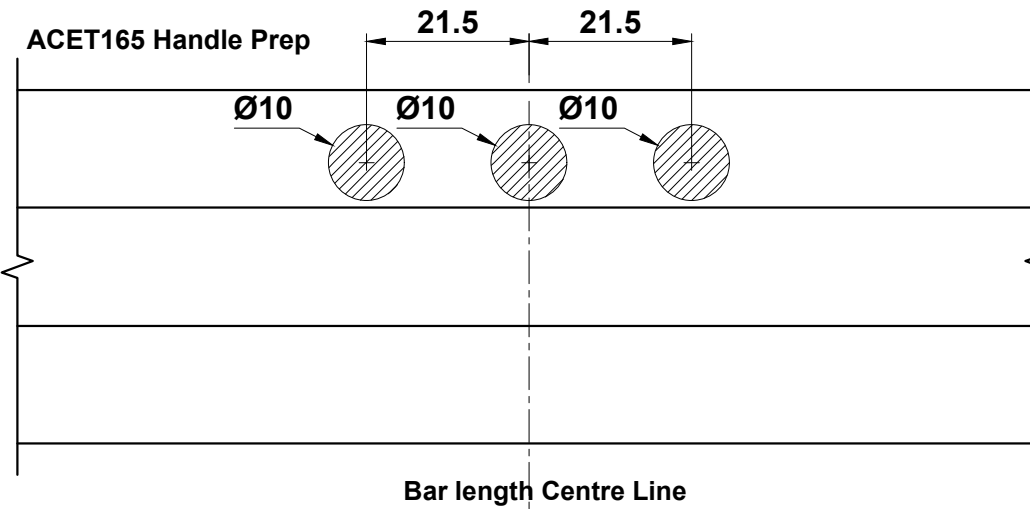
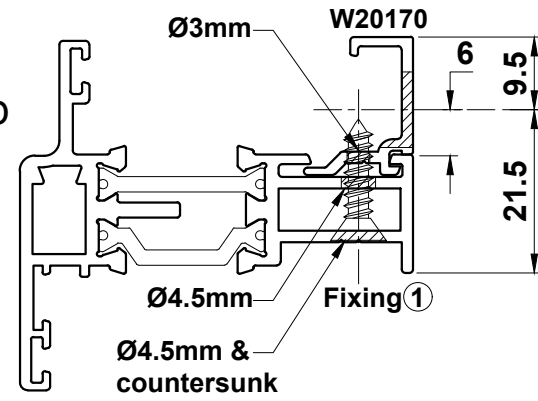
ACW201-205 Espag Fitting Guide



Do Not Scale From This Drawing

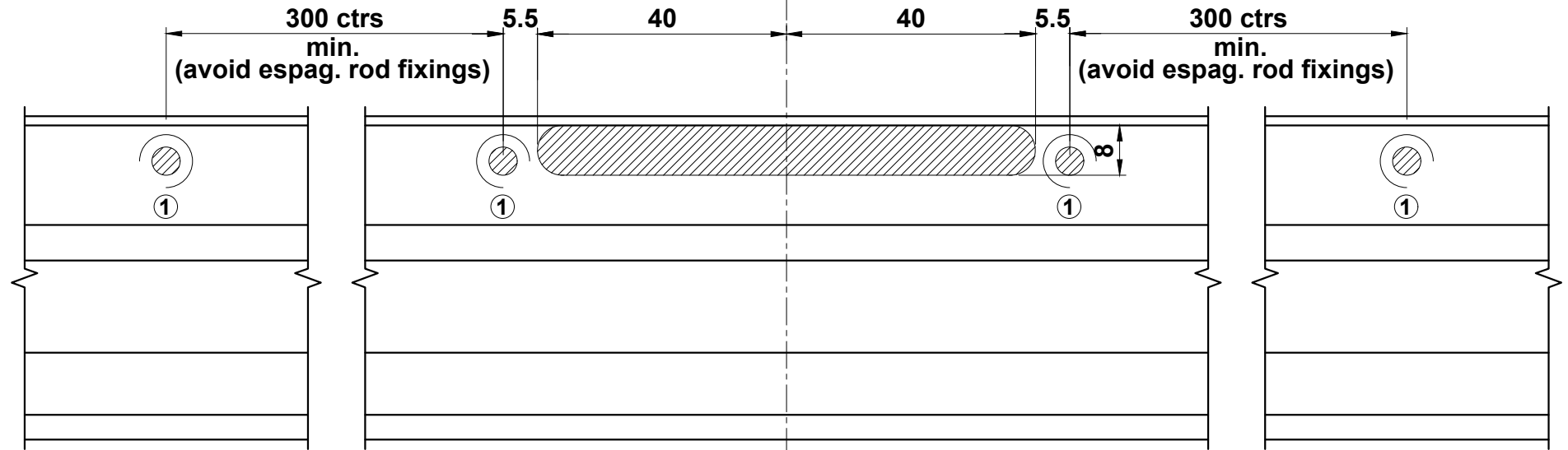
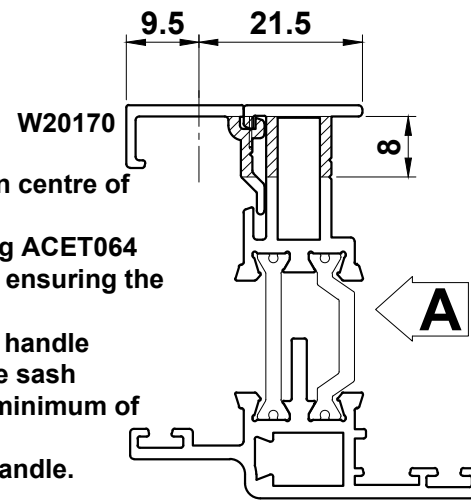
Espag Locking Details with ACET165, ACW20100 Monkey Tail & ACW20101 Bulb End Handles

ACET165 Handle Prep

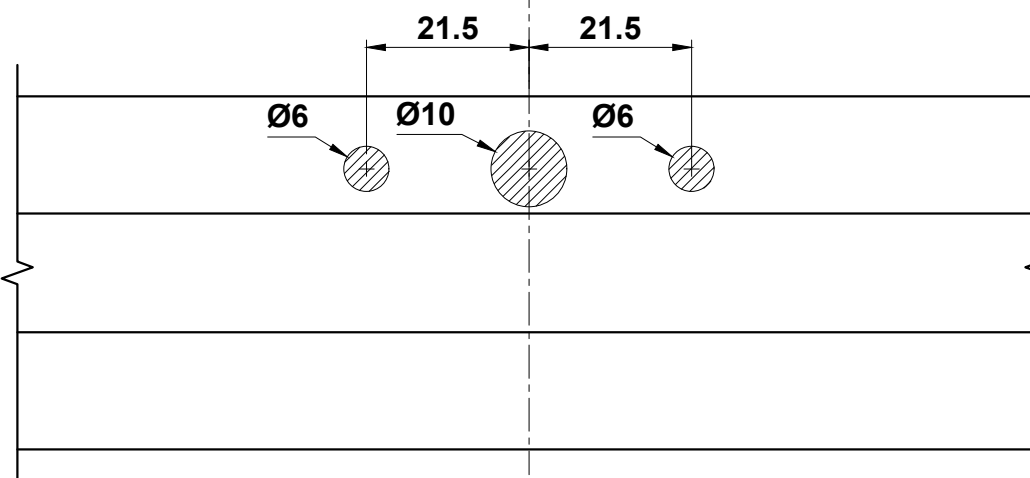
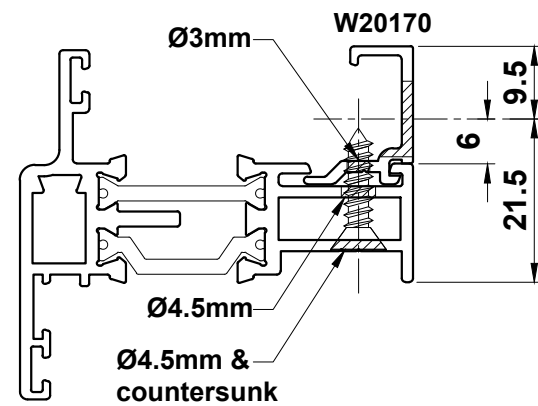


Steps:

1. Cut bead to length and align centre of bead with centre of sash
2. Secure bead into sash using ACET064 screws as shown (Fixing 1) ensuring the bead cannot move
3. Route and drill for lock and handle
4. Remove bead and assemble sash
5. Refit bead and secure at a minimum of 300mm centres
6. Fit espag locking rod and handle.



ACW20100 Monkey Tail & ACW20101 Bulb End Handle Prep

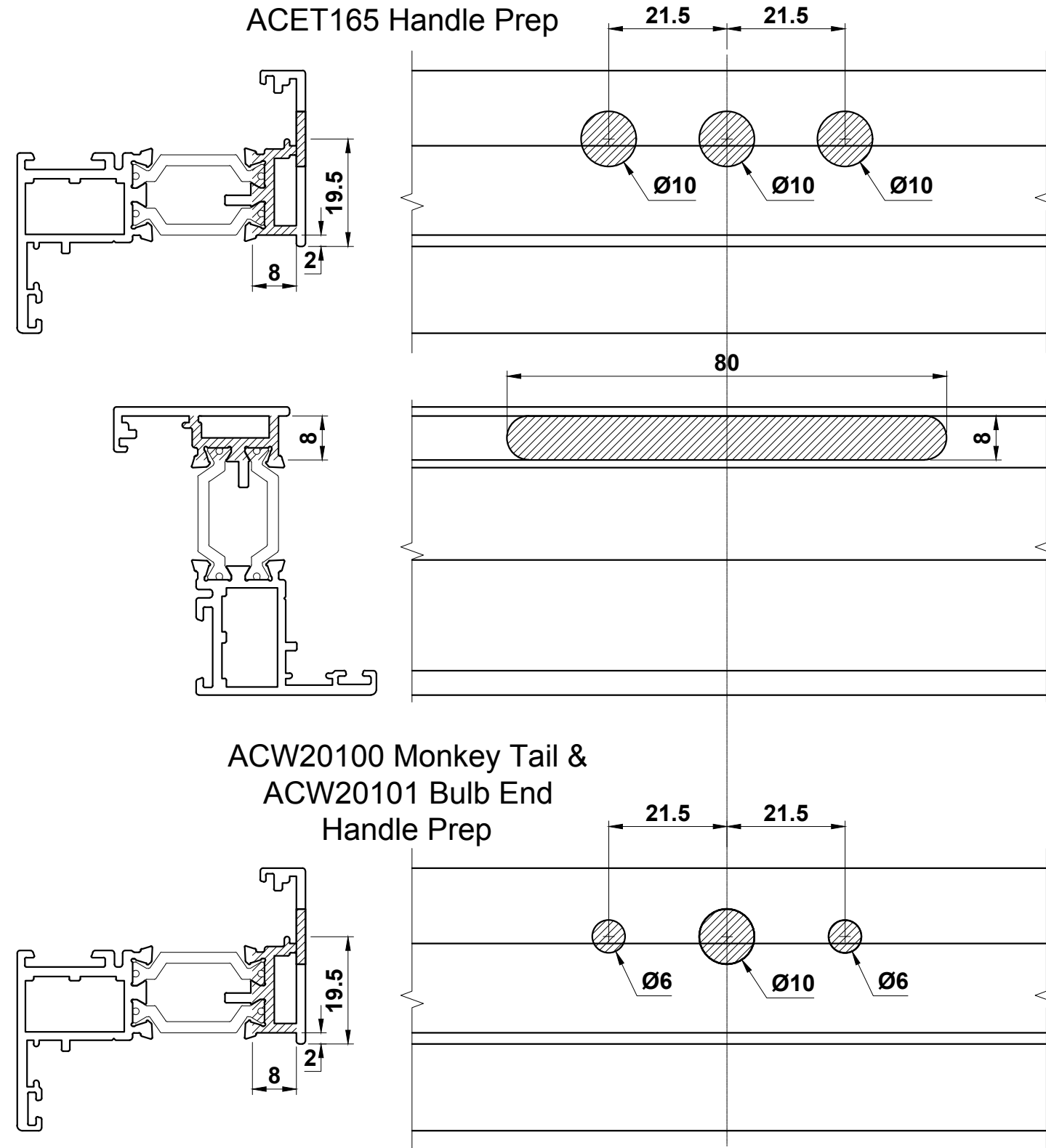
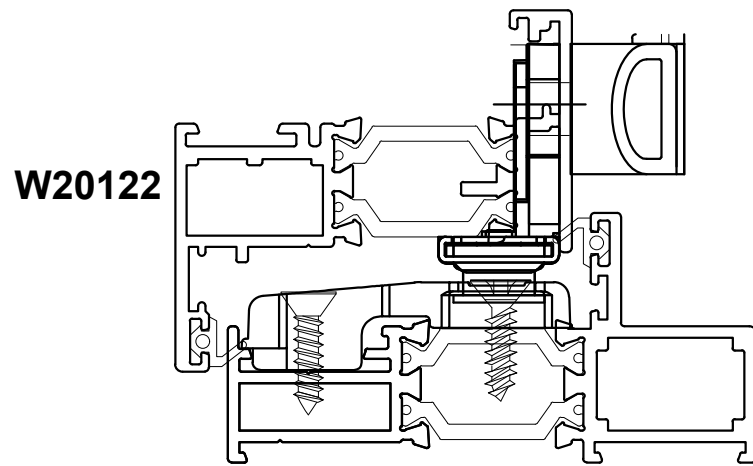


Do Not Scale From This Drawing

W20122 Espag Locking Details

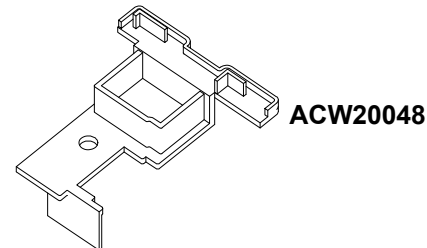
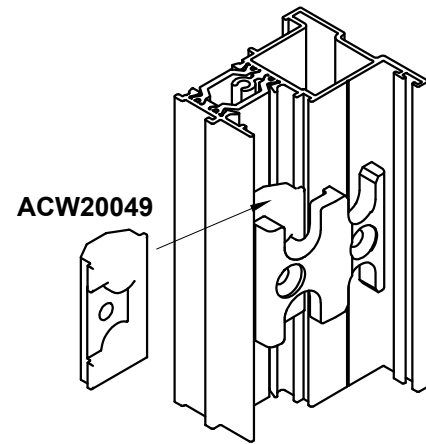
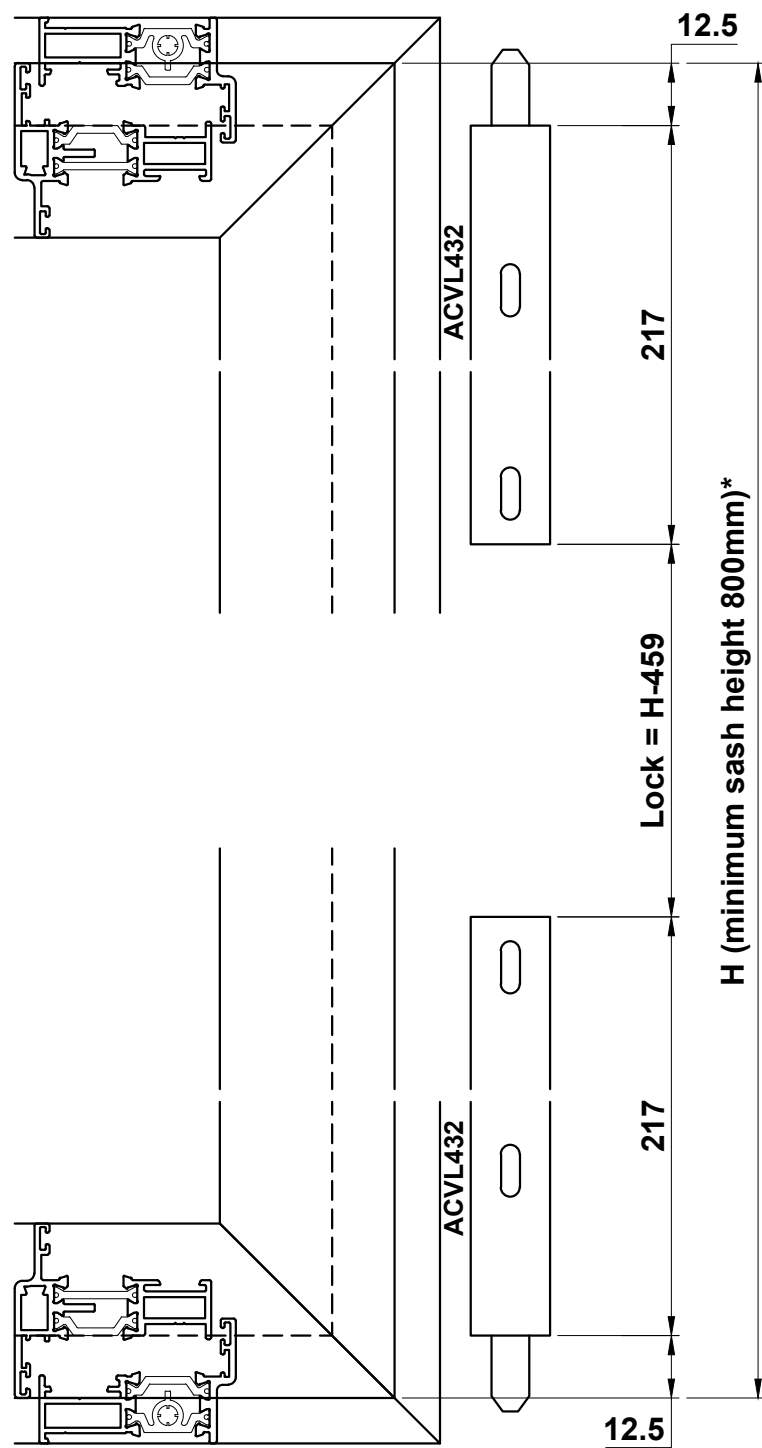
Part Code	Rod Length (mm)	Number of Keeps	Sash Rebate Size ('A')	
			Minimum	Maximum
ACET301L	335	2	340	505
ACET301R				
ACET302L	500	2	506	755
ACET302R				
ACET303L	750	2	756	1005
ACET303R				
ACET304L	1000	4	1006	1255
ACET304R				
ACET305L	1250	4	1256	1400
ACET305R				

Note: 1) To suit handle ACET165
2) The reverse espags shown above are taken from Alitherm 300

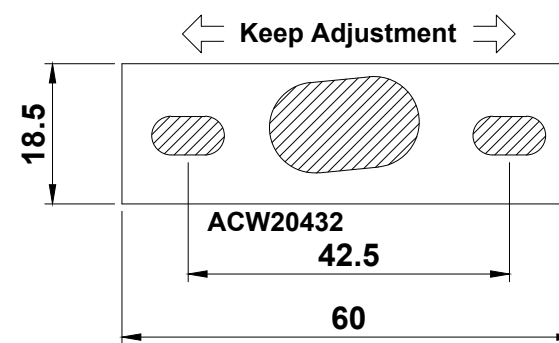
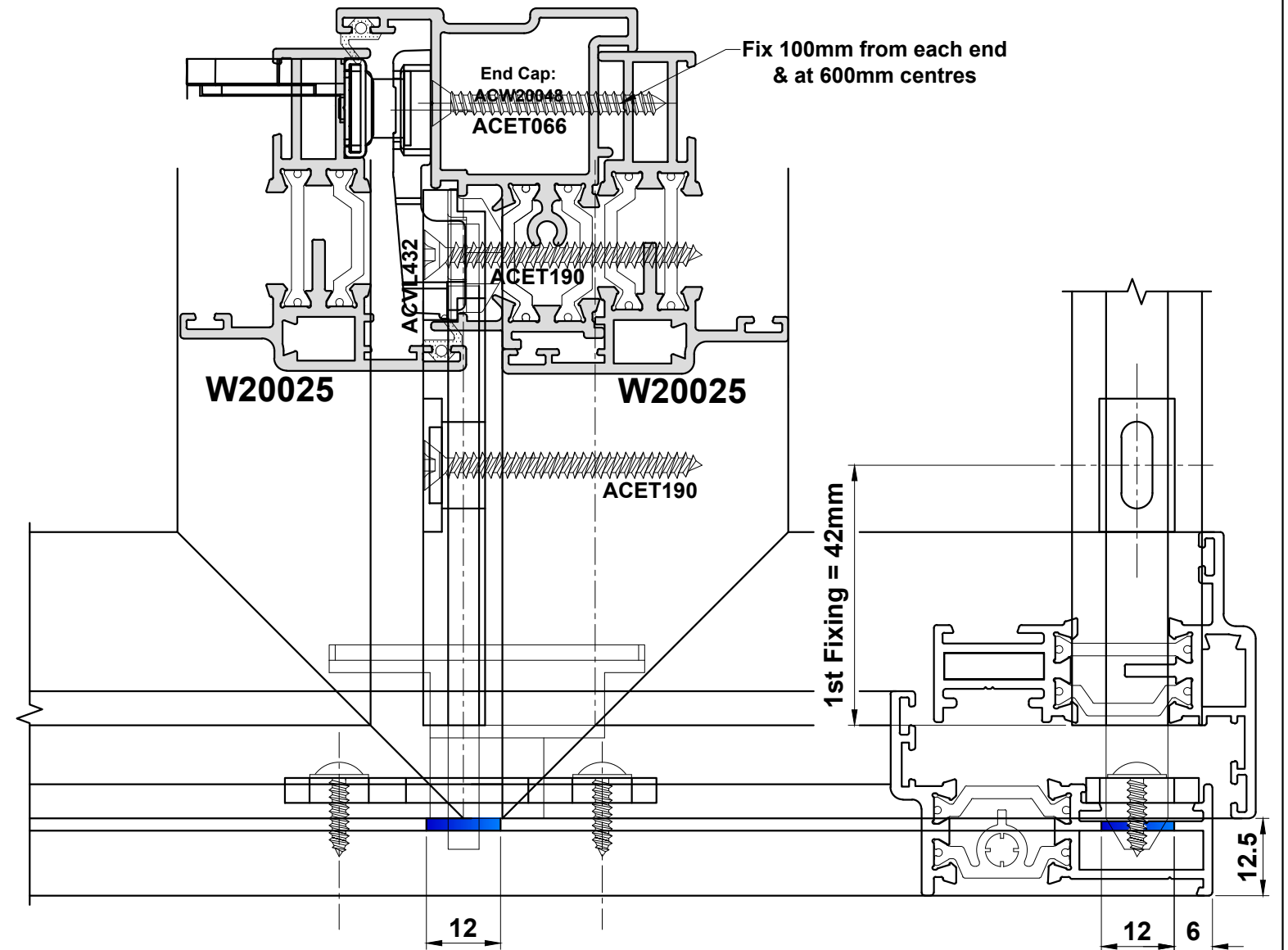


Do Not Scale From This Drawing

French Casement Assembly



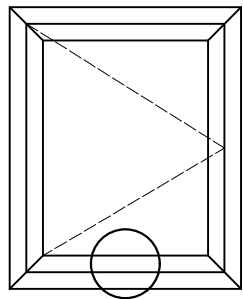
See page E27 for W20048 end prep.



*Minimum sash height is based on using 335mm locking rod.

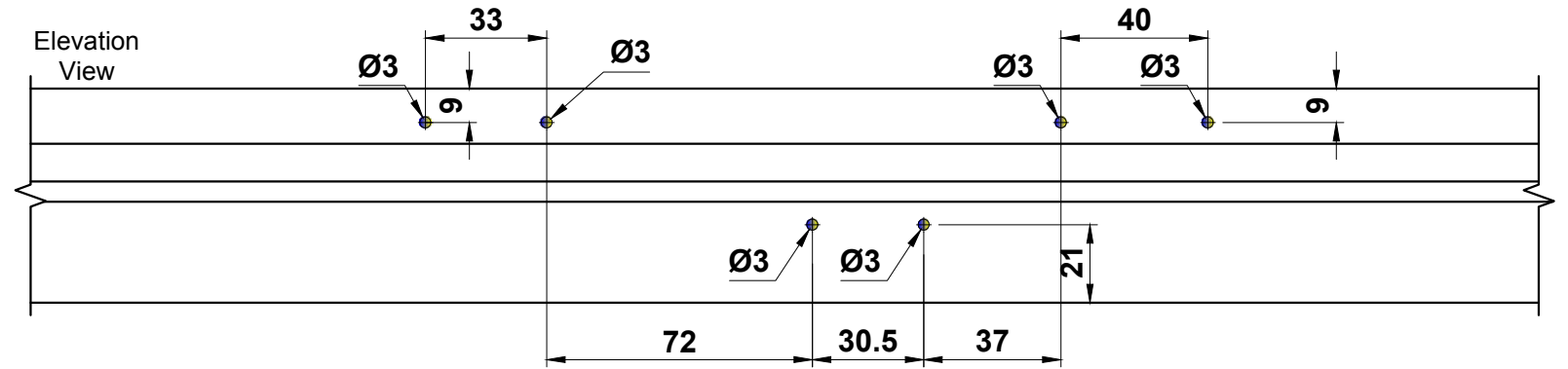
Do Not Scale From This Drawing

Peg Stay Fixing Details



TOP HUNG WITH PEG STAY HAS NOT BE TESTED AS ADDITIONAL HANDLE CAN NOT BE FITTED

Typical layout for 10" peg stay

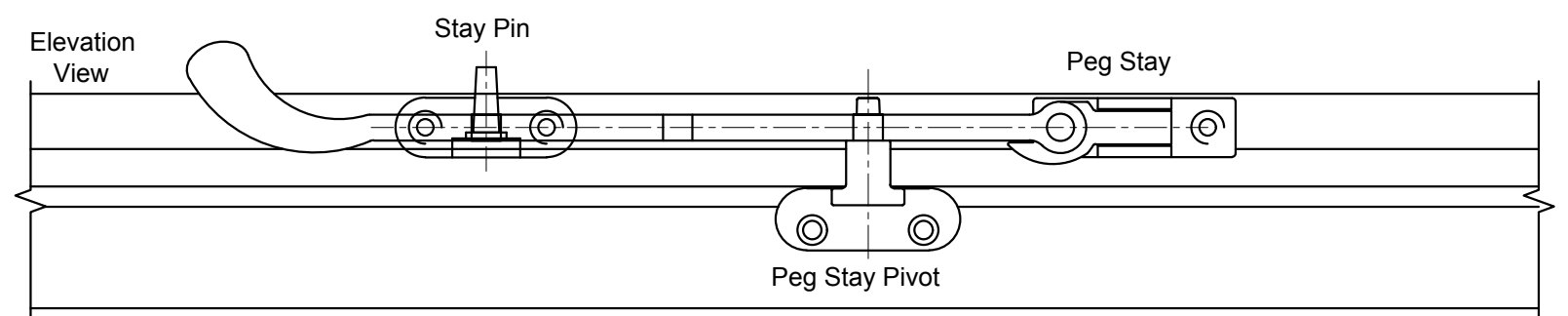
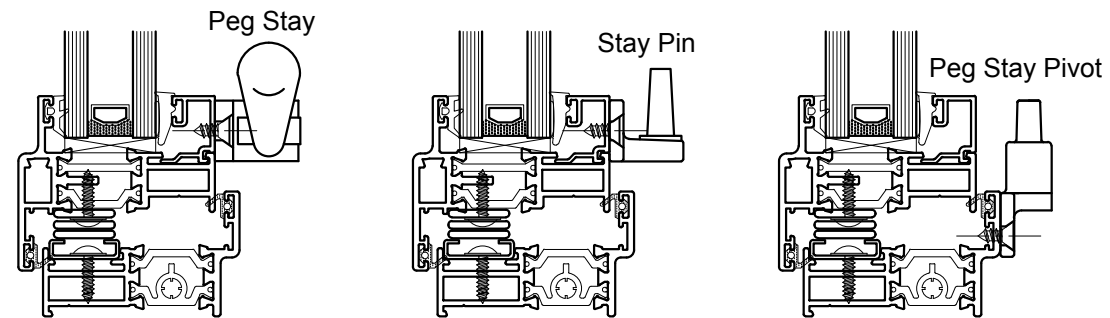
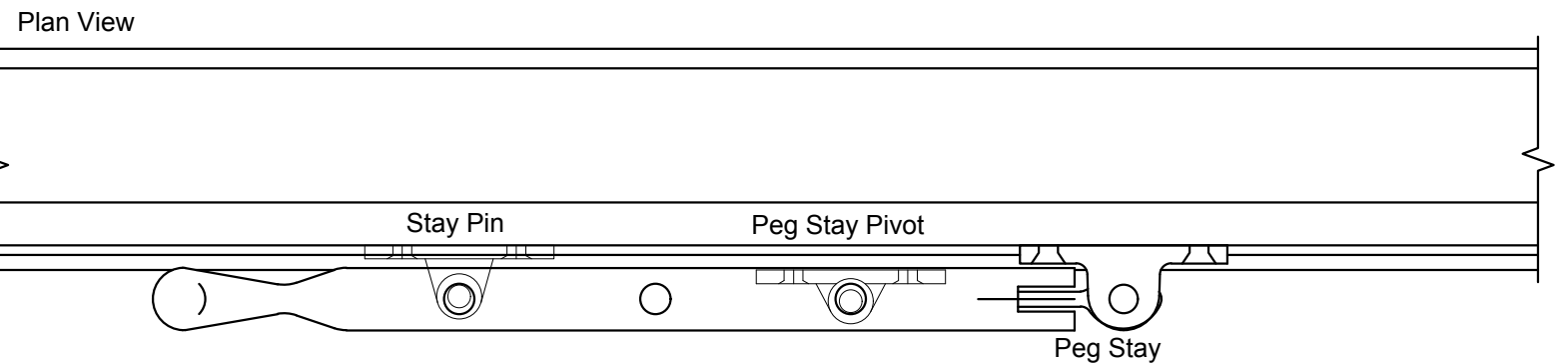


Please use the above dimensions for guidance only. As each peg stay is hand made, the dimensions will vary slightly.



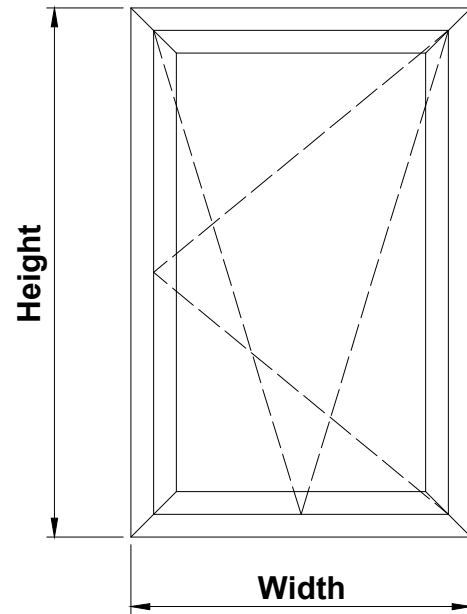
Monkey Tail Peg Stay

Bulb End Peg Stay



Do Not Scale From This Drawing

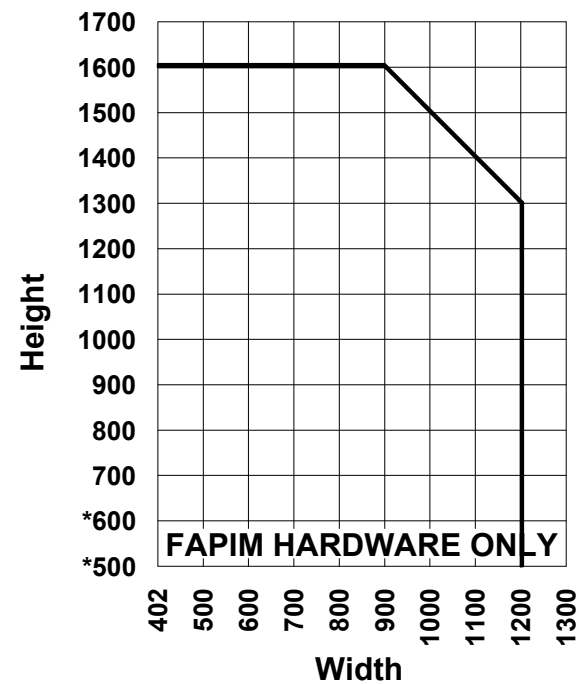
Tilt & Turn Overview



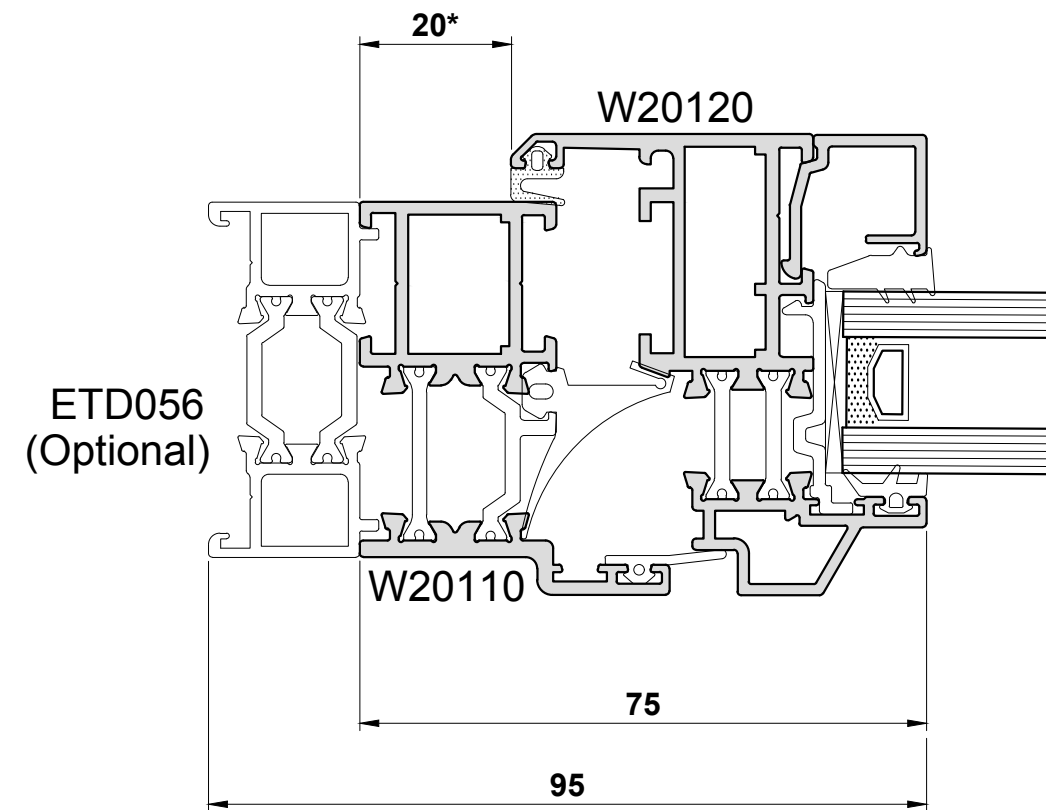
Important Notes:

1. The size limitations of the chosen tilt & turn hardware must be adhered to
2. The width of the sash cannot be more than 1.5 times the height
3. Maximum sash weight = 90kg.

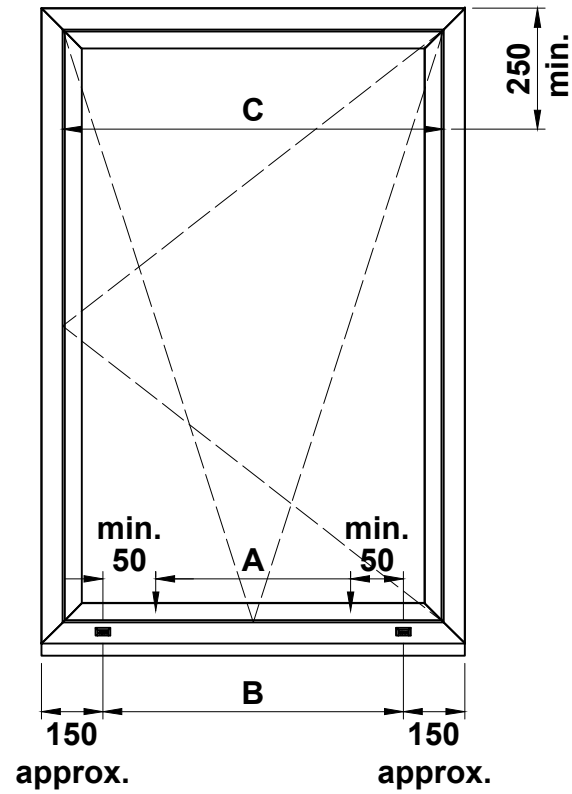
*Due to the narrow outer frame, we recommend using the Chrono Invision tilt & turn gear to avoid issue with the internal render. Alternatively, an extension section maybe used as shown. Please see the SB Chrono manual or the Fapim manual for full gearing details



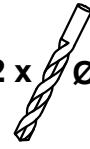
*Sashes below 600mm are not compatible with Sobinco Chrono hardware. Fapim hardware must be selected.



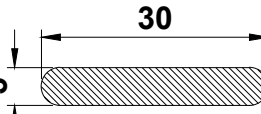
Tilt & Turn Drainage



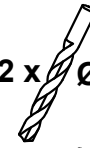
A: Vent Drainage = 2 x $\varnothing 8$



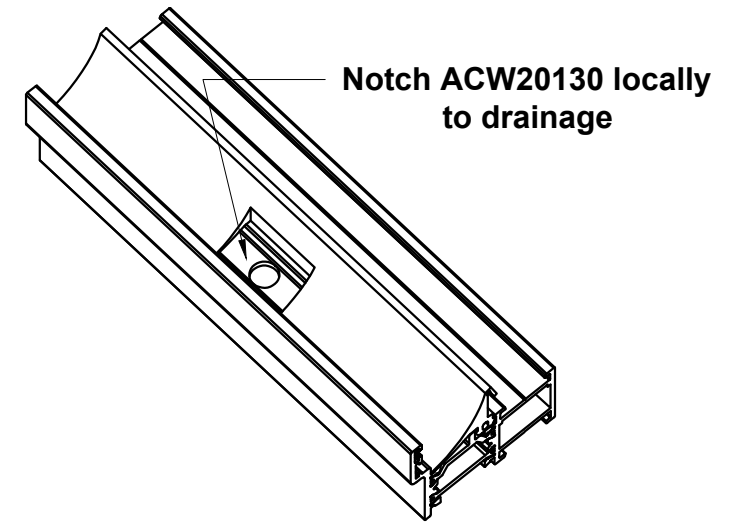
B1: Outer Frame Drainage = 2 x $\varnothing 5$



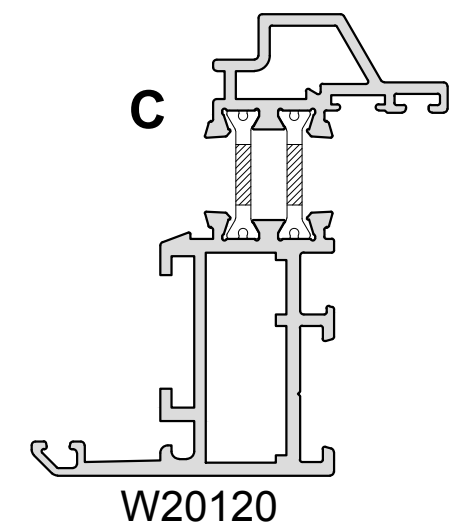
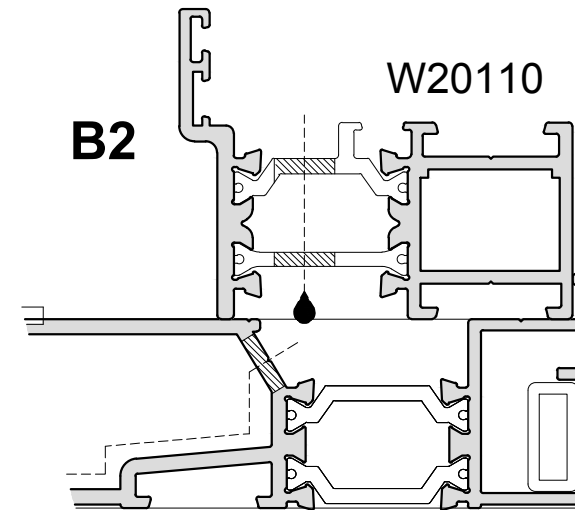
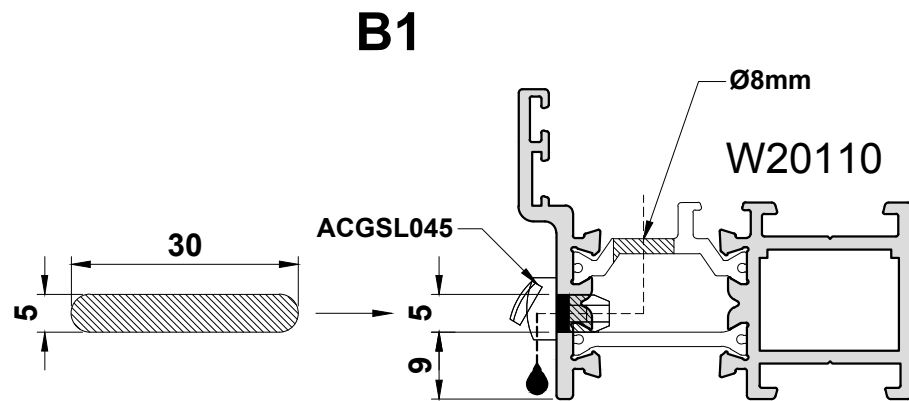
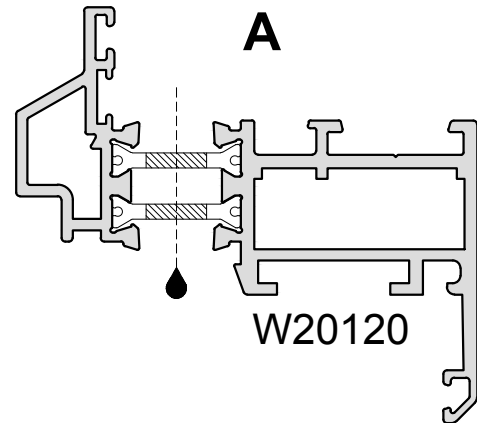
B2: Outer Frame Drainage = 2 x $\varnothing 8$



C: Sash Ventilation Holes = 2 x $\varnothing 8$



Important Note: All exposed aluminium should be coated using ACSIL014 or painted to match the frame.



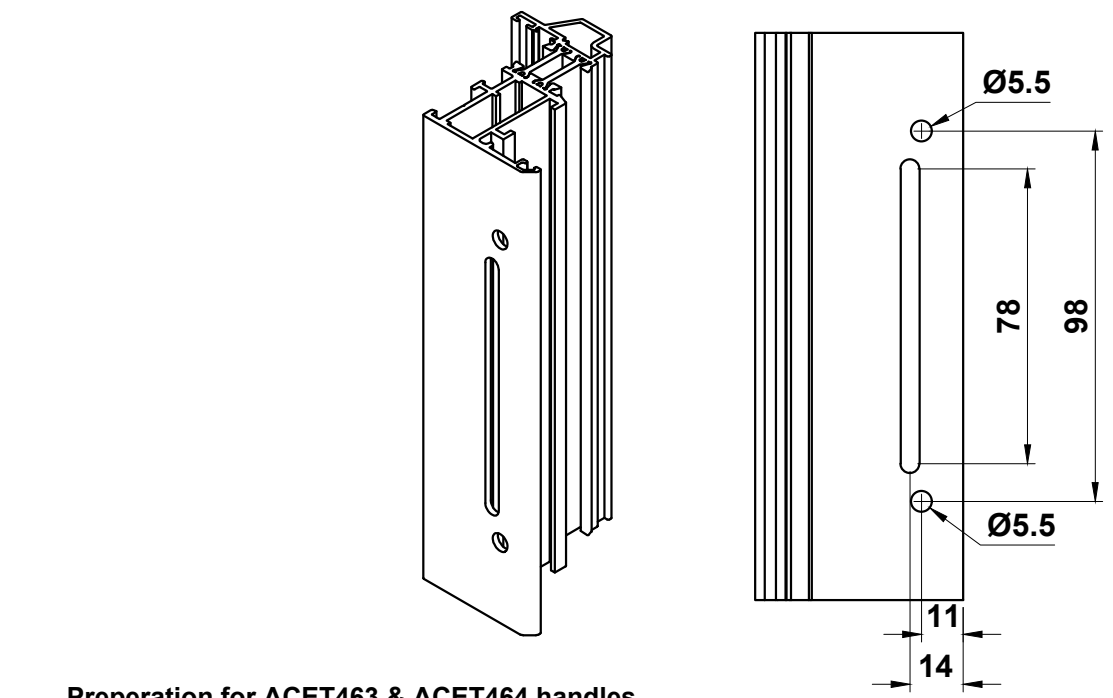
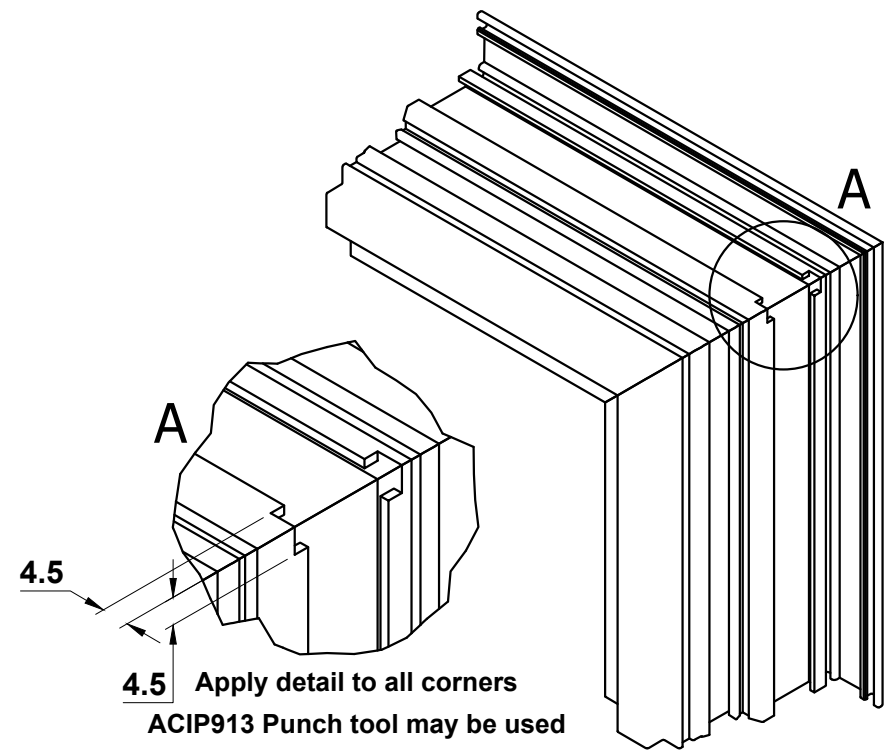
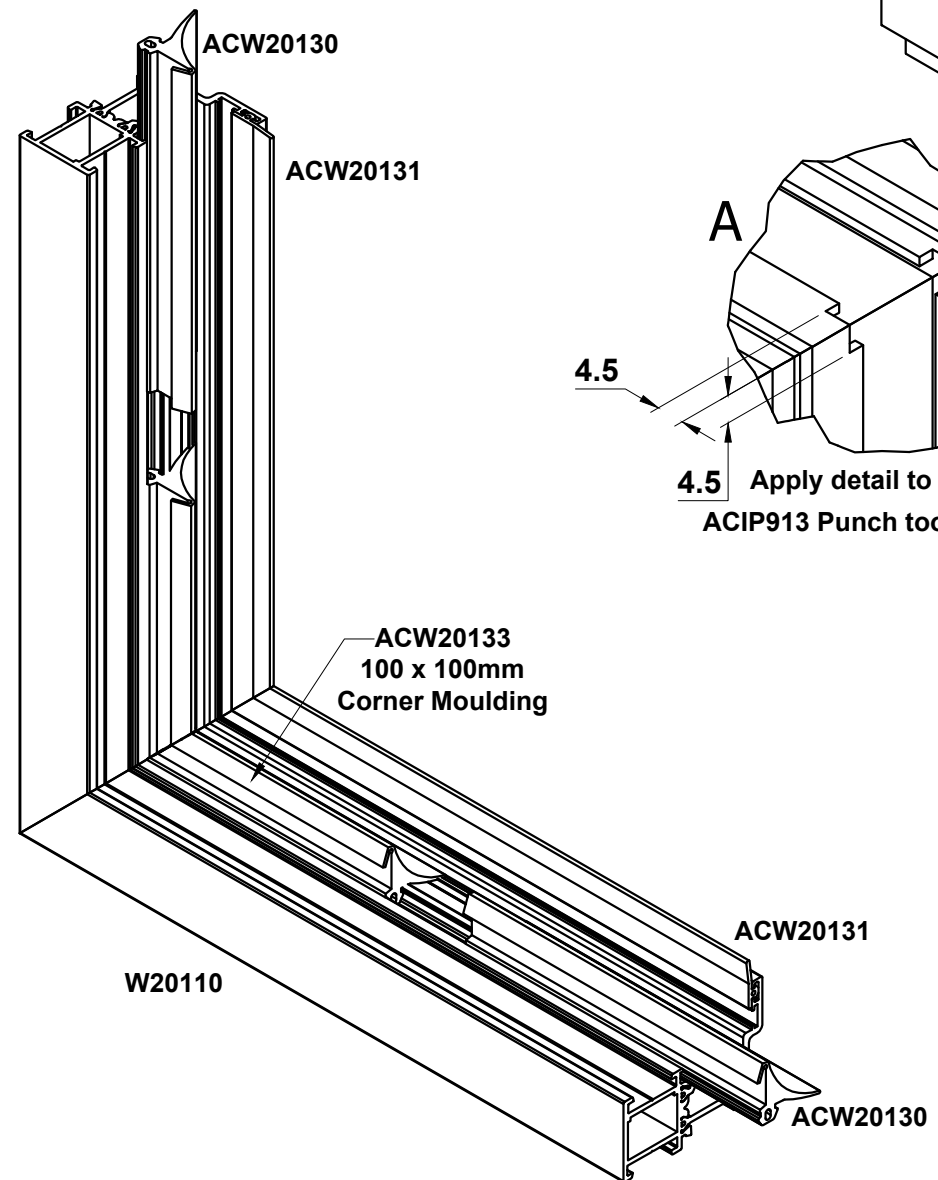
Do Not Scale From This Drawing

Tilt & Turn Outer Frame & Sash

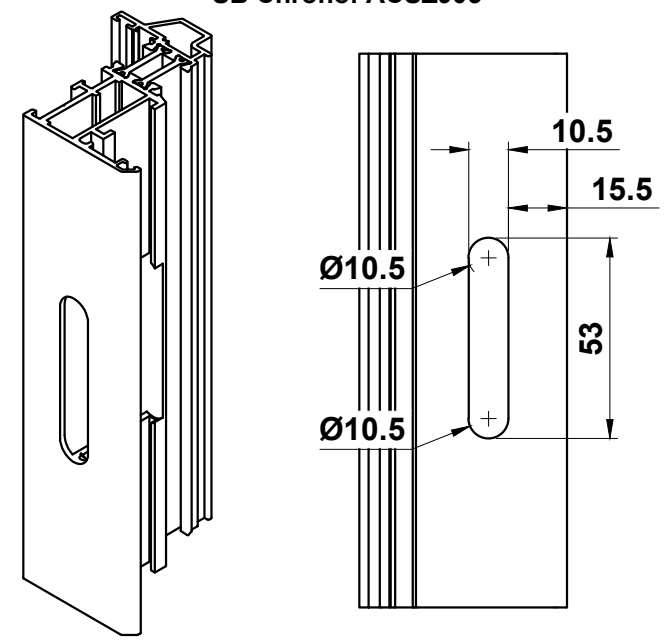
Sash Corner Preparation
(must be prepped prior to assembly)
ACIP913 Punch tool may be used

Handle Preparation
(must be prepped prior to assembly)
ACIP913 Punch tool may be used

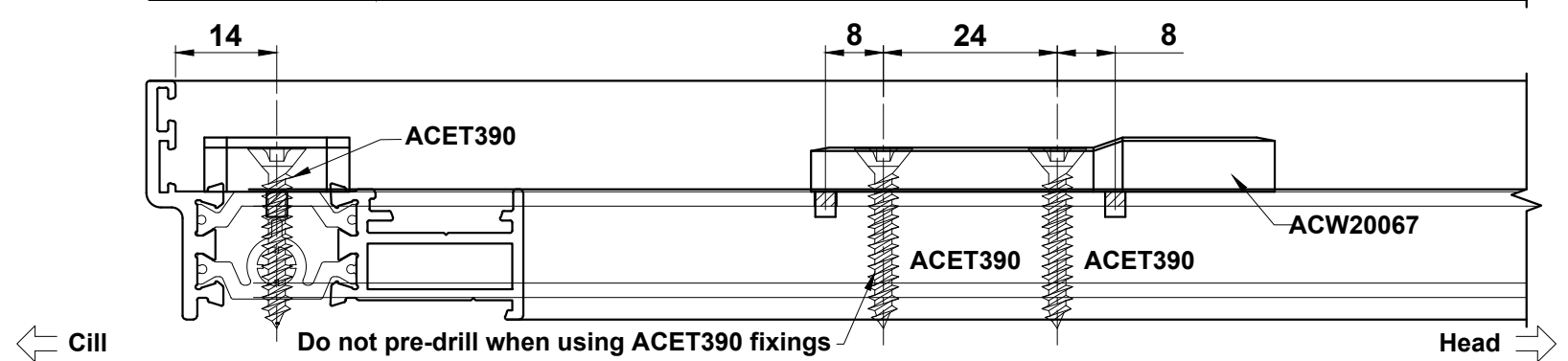
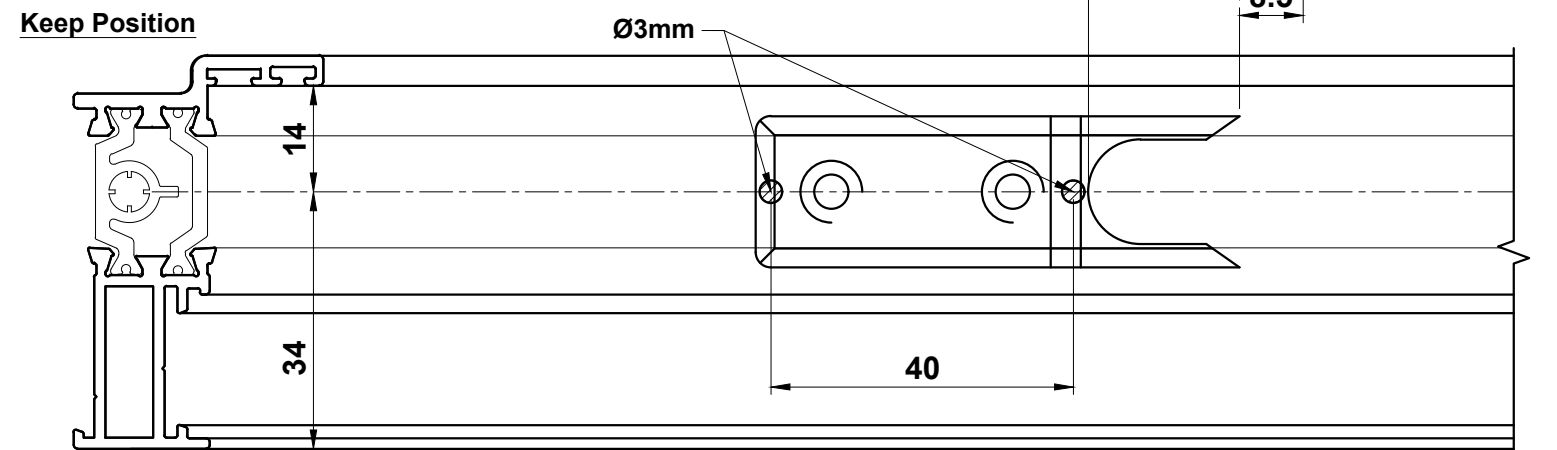
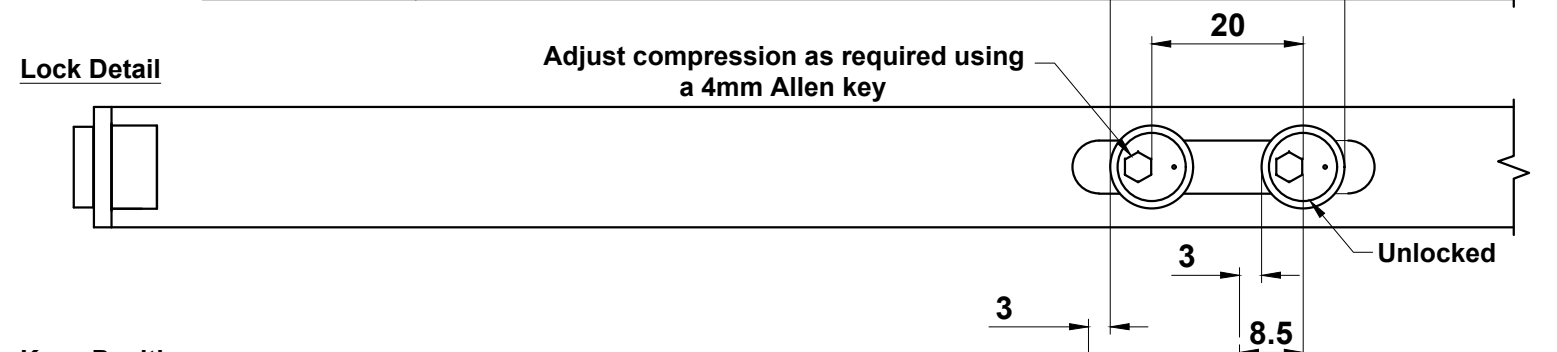
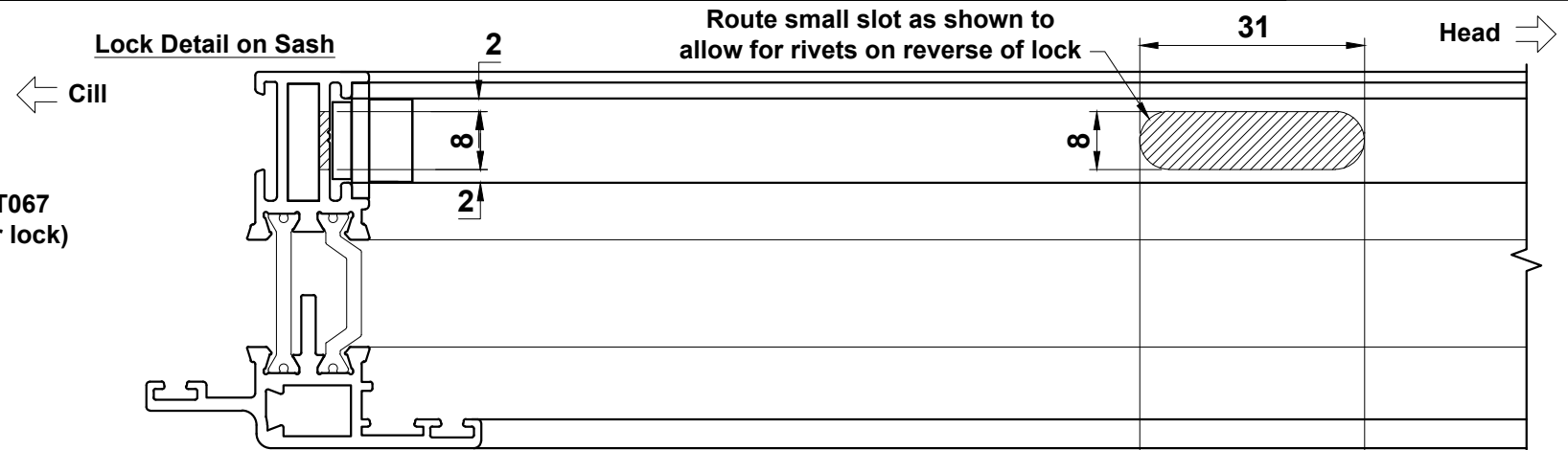
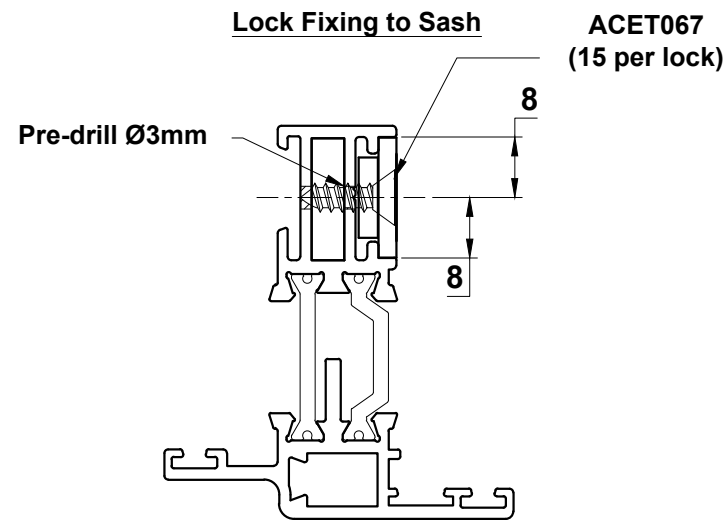
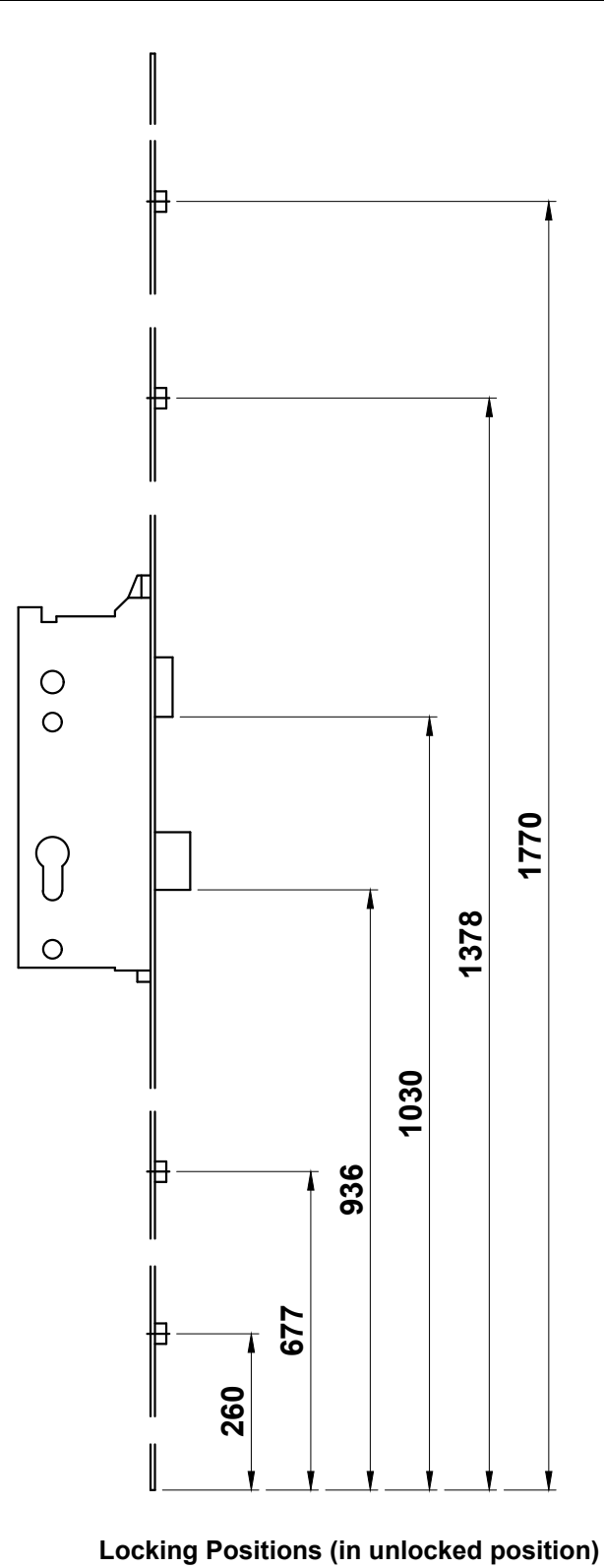
Outer Frame Gasket



Preparation for ACET463 & ACET464 handles
Requires adaptors:
Fapim: ACFA212
SB Chrono: ACSZ905

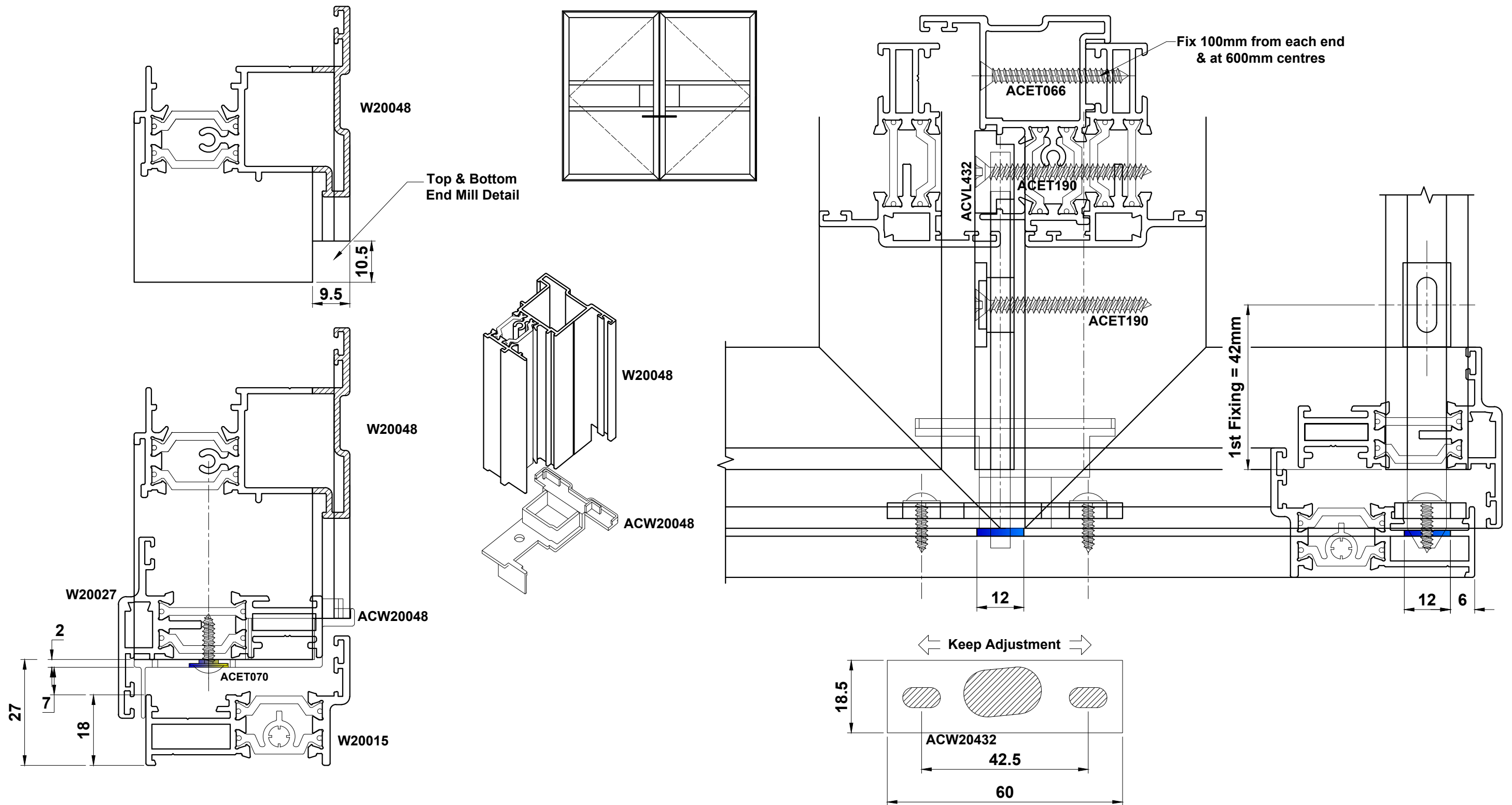


Open Out Door Lock Preparation Continued



Do Not Scale From This Drawing

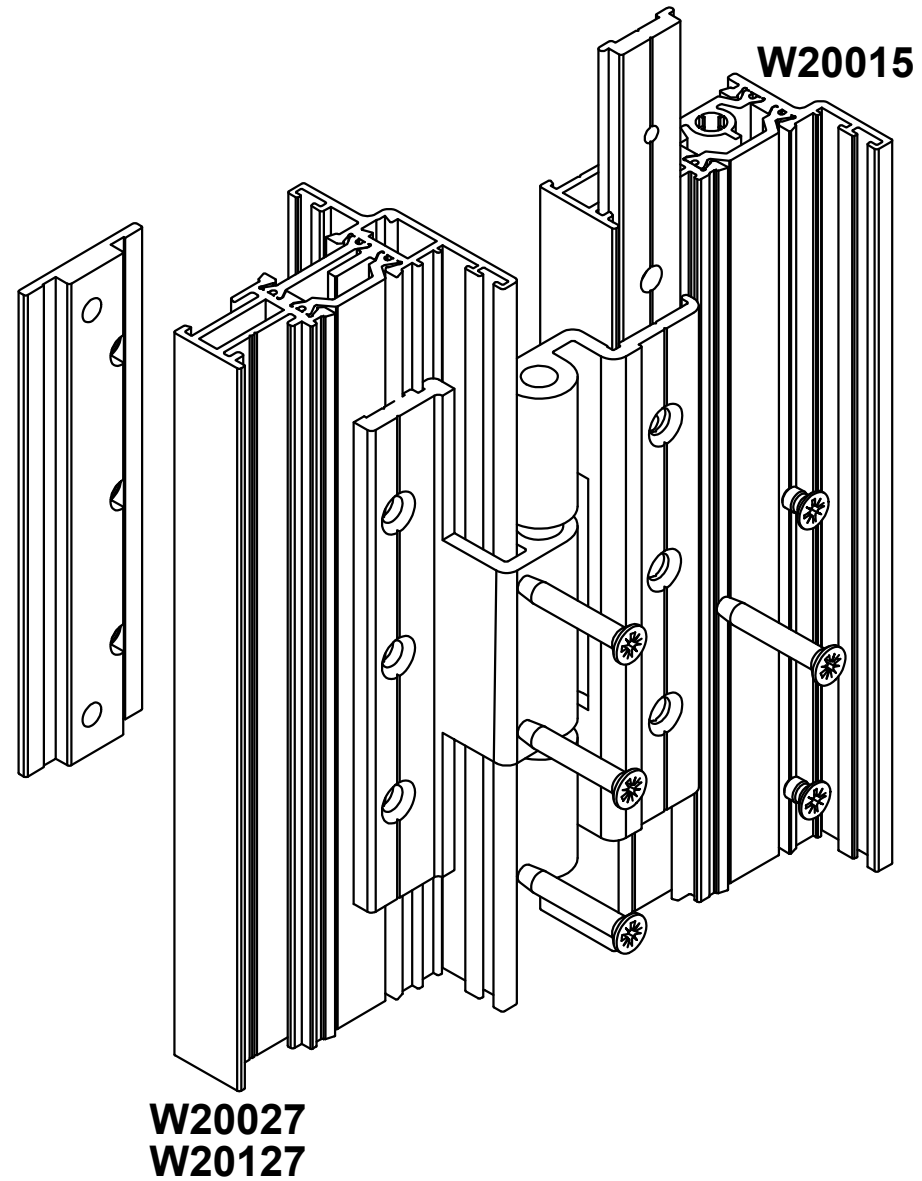
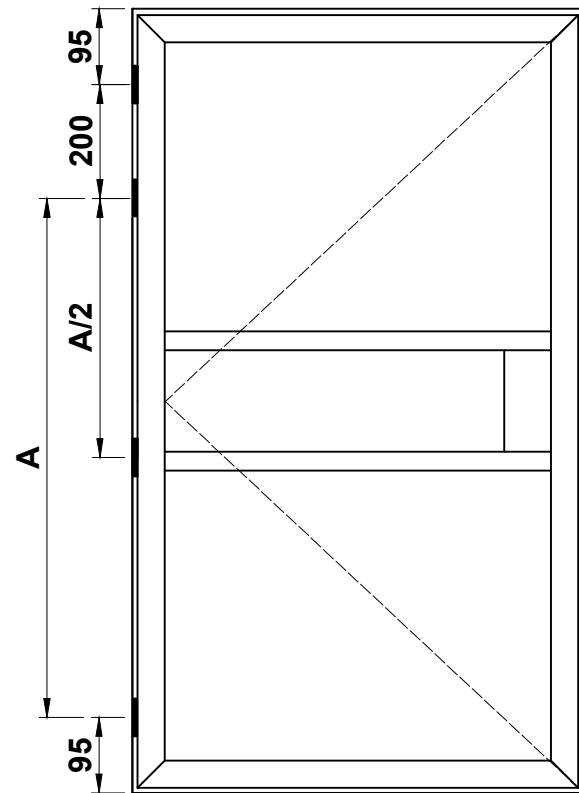
Open Out Double Door



Do Not Scale From This Drawing

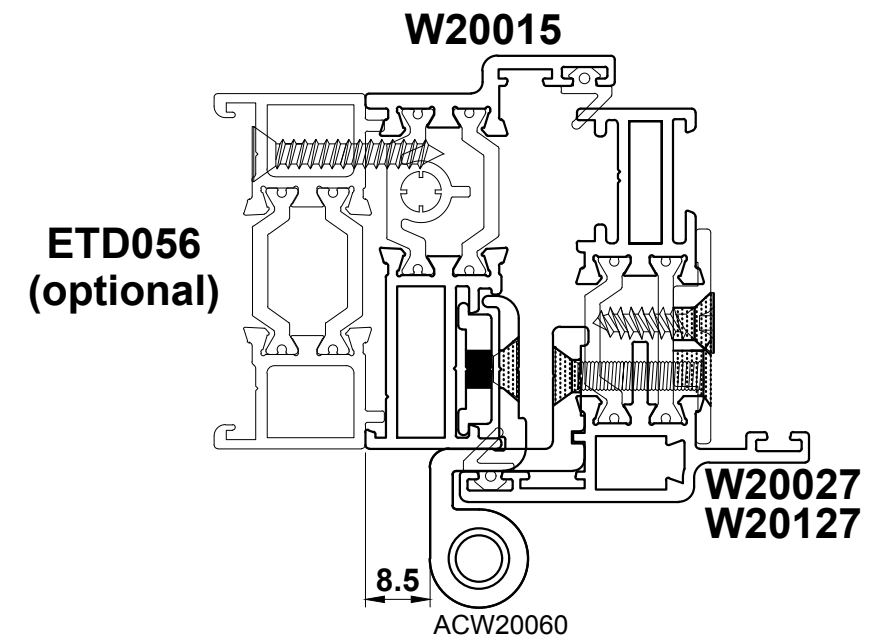
Open Out Door Hinge Details

Recommended hinge positions



Assembly Instructions

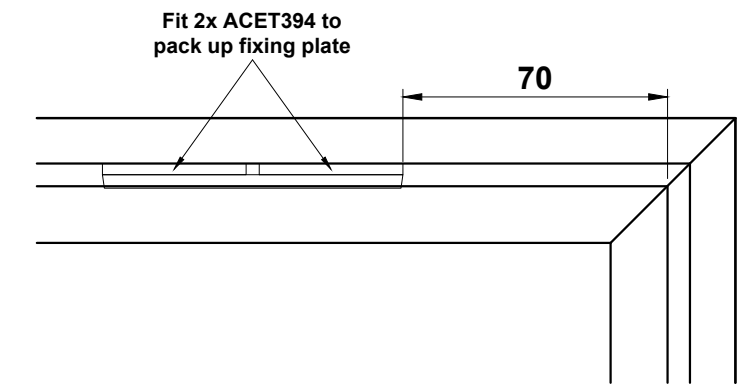
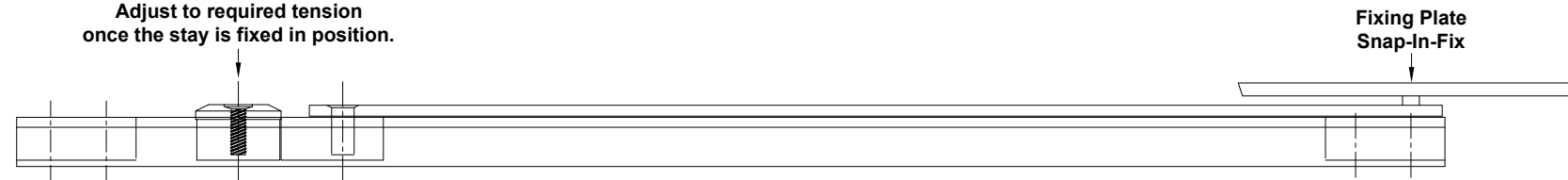
1. Slide Hinge Backplates into outerframe prior to crimping.
2. Locate each hinge and clamp in position using 2No. M4 x 6mm Countersunk screws - supplied with ACW20060.
3. Use the hinge to mark the hole positions in the sash and drill Ø7mm clearance holes for the machine screws. Fasten hinge through the sash to the backplate with 3No. M4 x 20mm Countersunk Screws - supplied with ACW20060. The backplate may need to be tapped in position using a mallet and then secured using ACET490 screws.
4. Once the sash requires no further adjustment, fix the outerframe half of the hinge with the No.8 x 16mm Pozi Csk Self Tapping screw supplied



Do Not Scale From This Drawing

90° Restrictor Installation

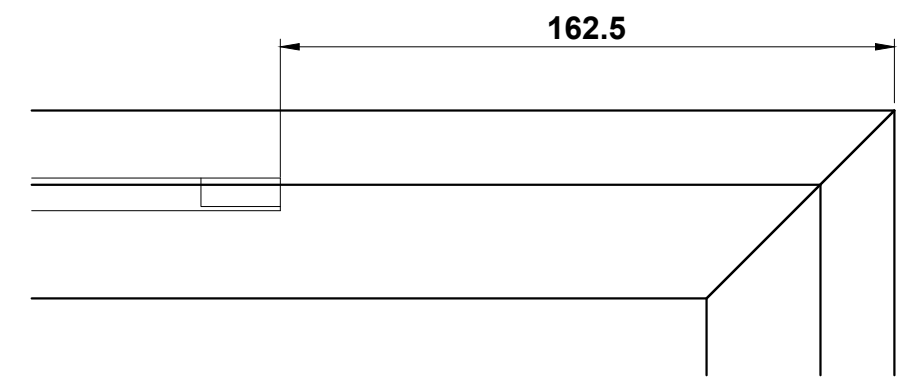
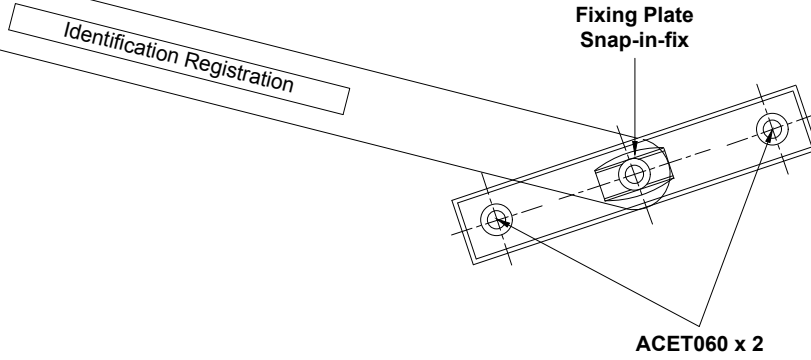
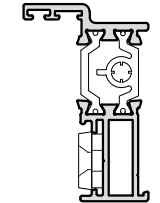
Ensure friction screw is loose before fitting stay to door. Adjust to required tension once the stay is fixed in position.



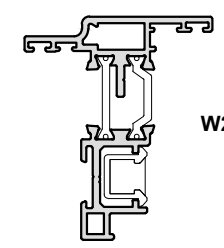
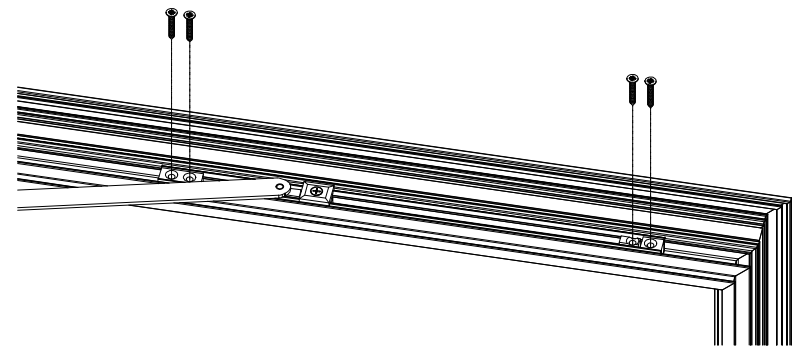
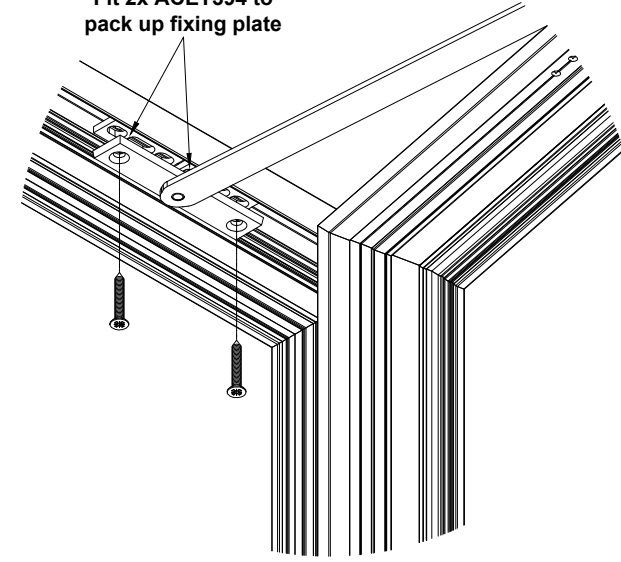
1" No.7 ACET060 Screw (2 off)



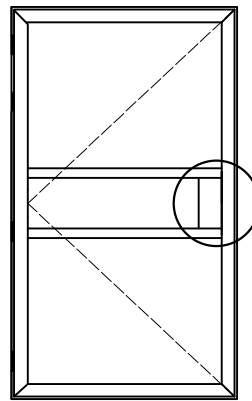
Outerframes:
W20015
W20016
W20017
W20111
W20112



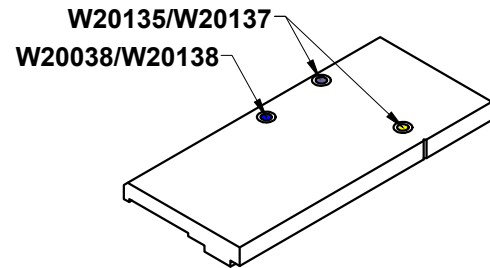
Fit 2x ACET394 to pack up fixing plate



Open In Door Lock Preparation

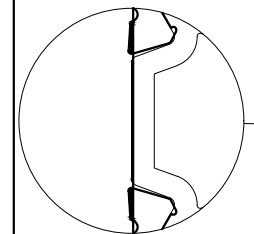
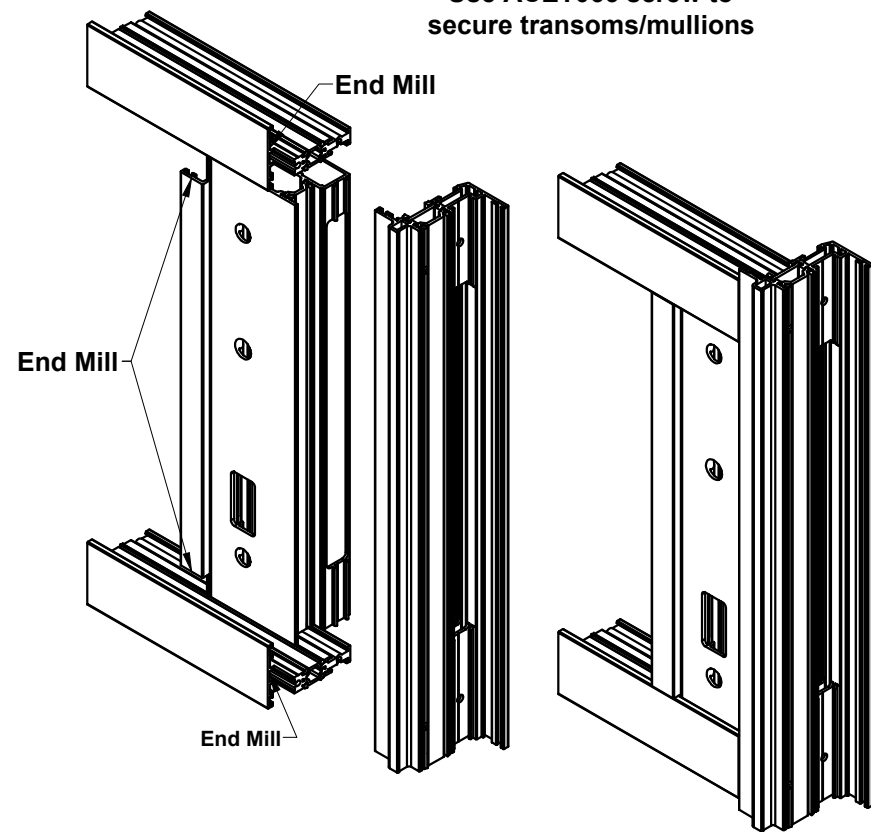


Drill Jig = ACW925
Jig **MUST** be clamped in position before drilling

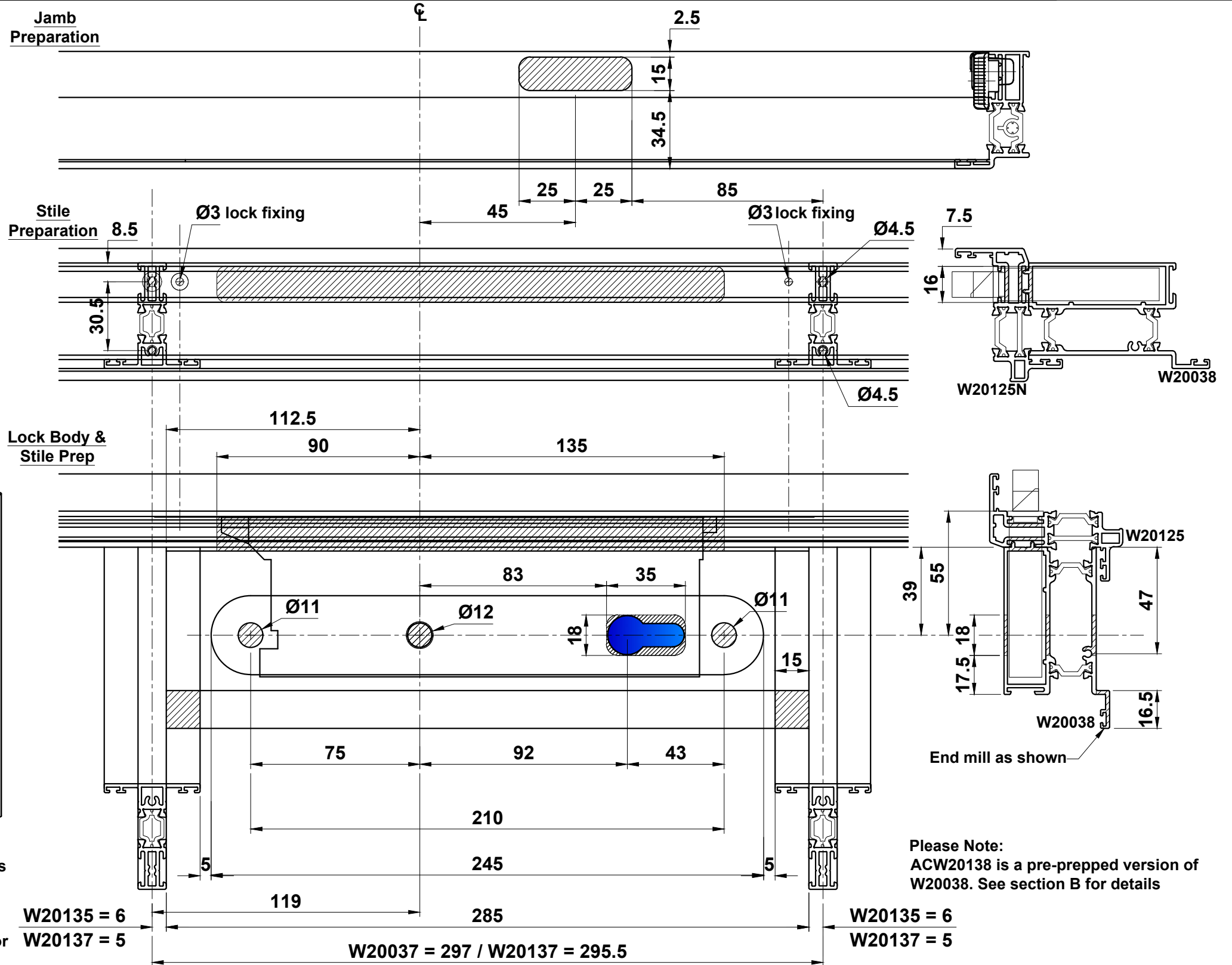


LEFT HAND SHOWN

Use ACET066 screw to secure transoms/mullions

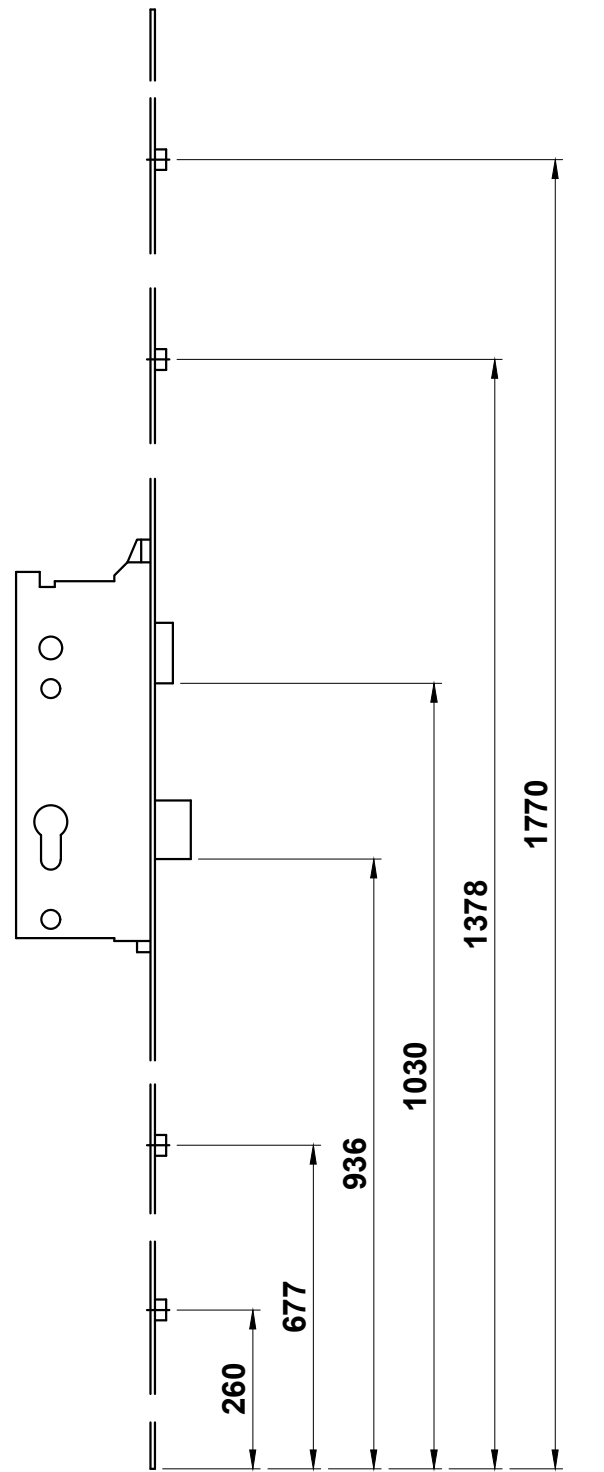


Note: Where W20038 fits against W20037, the anvils holding the polyamide strips may need to be routed flat for a good fit.

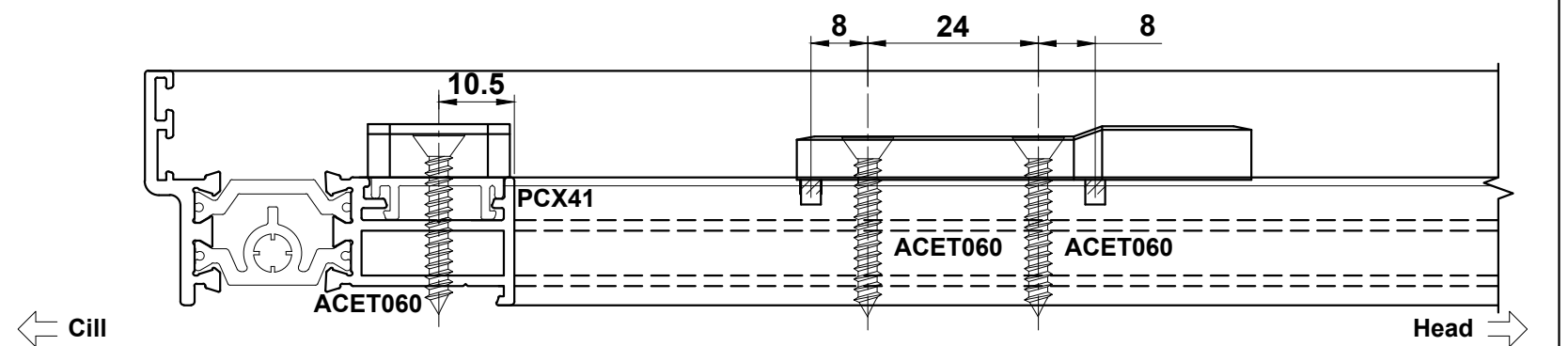
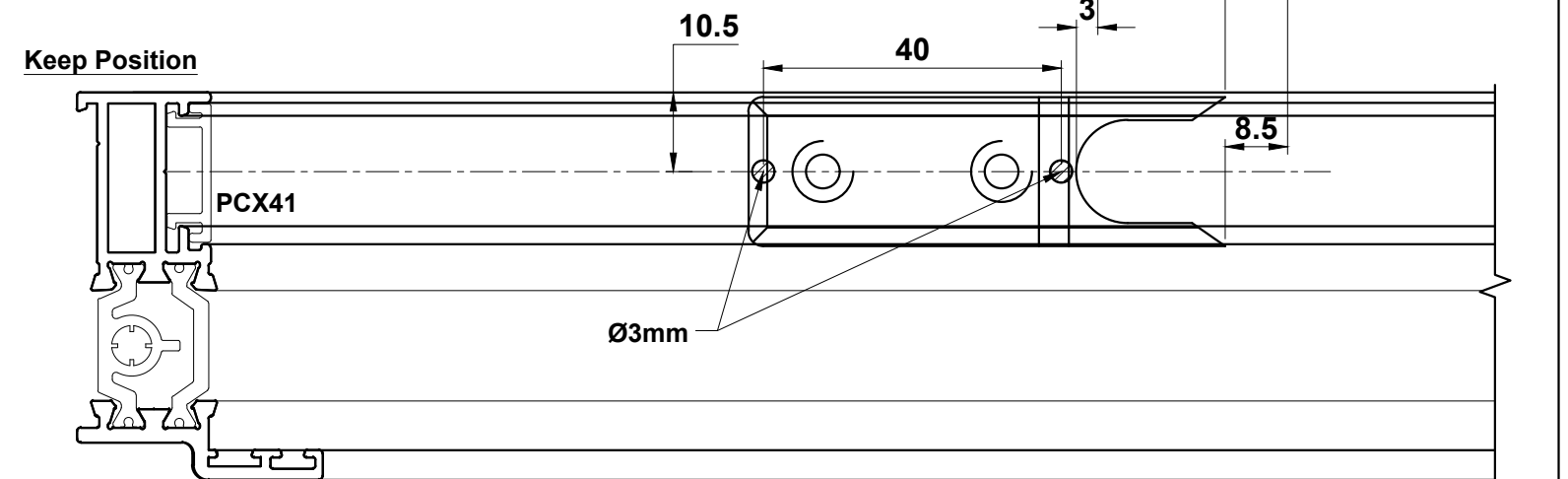
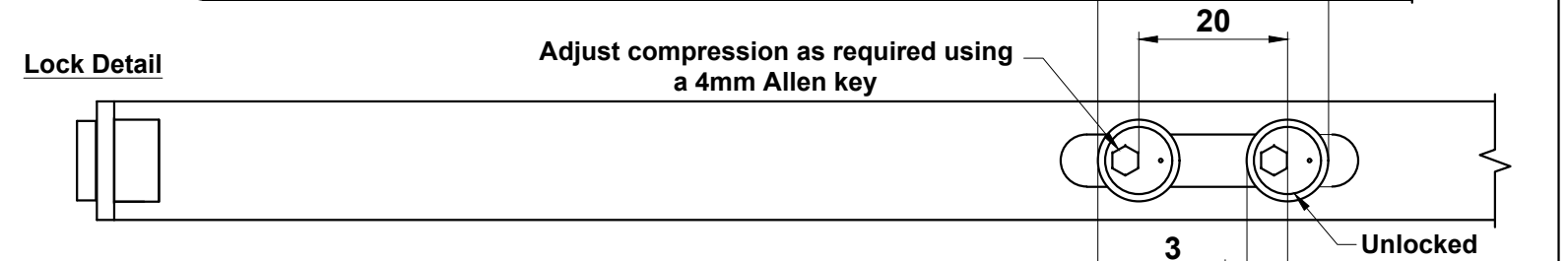
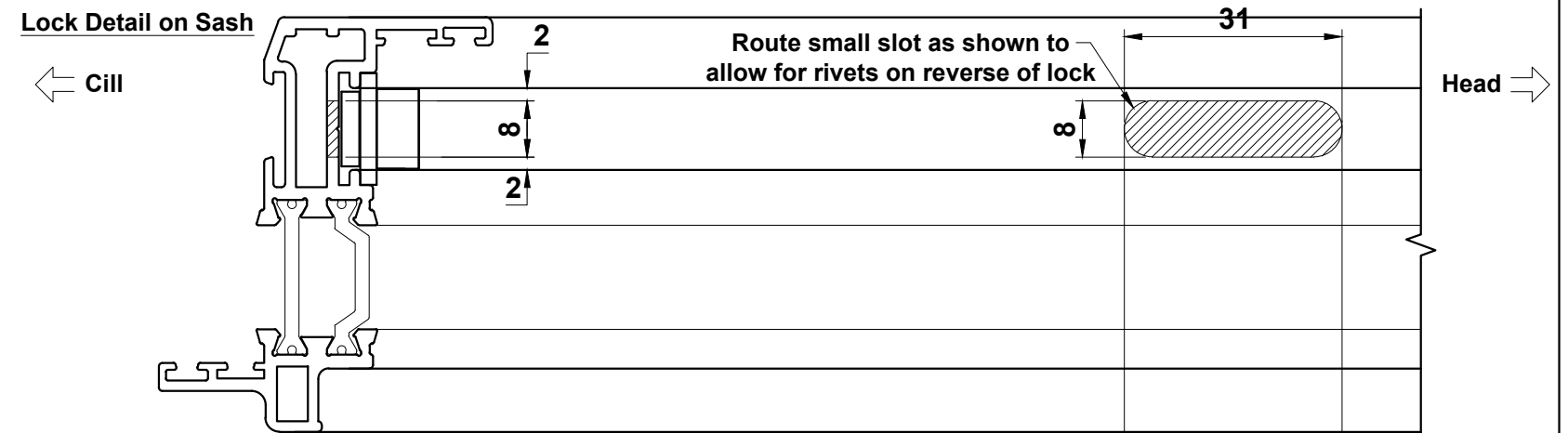
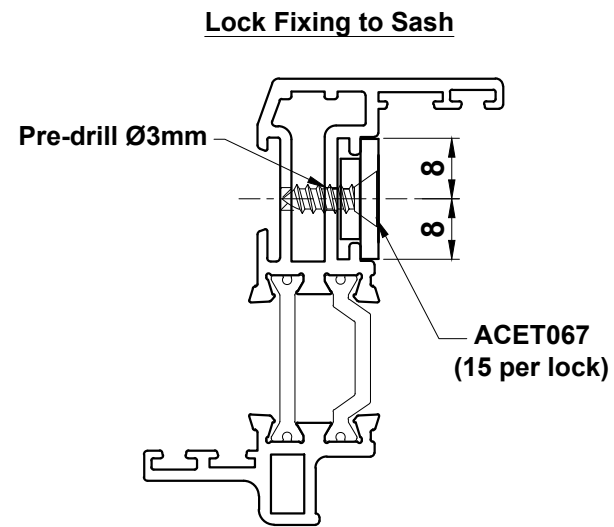


Do Not Scale From This Drawing

Open In Door Lock Preparation Continued

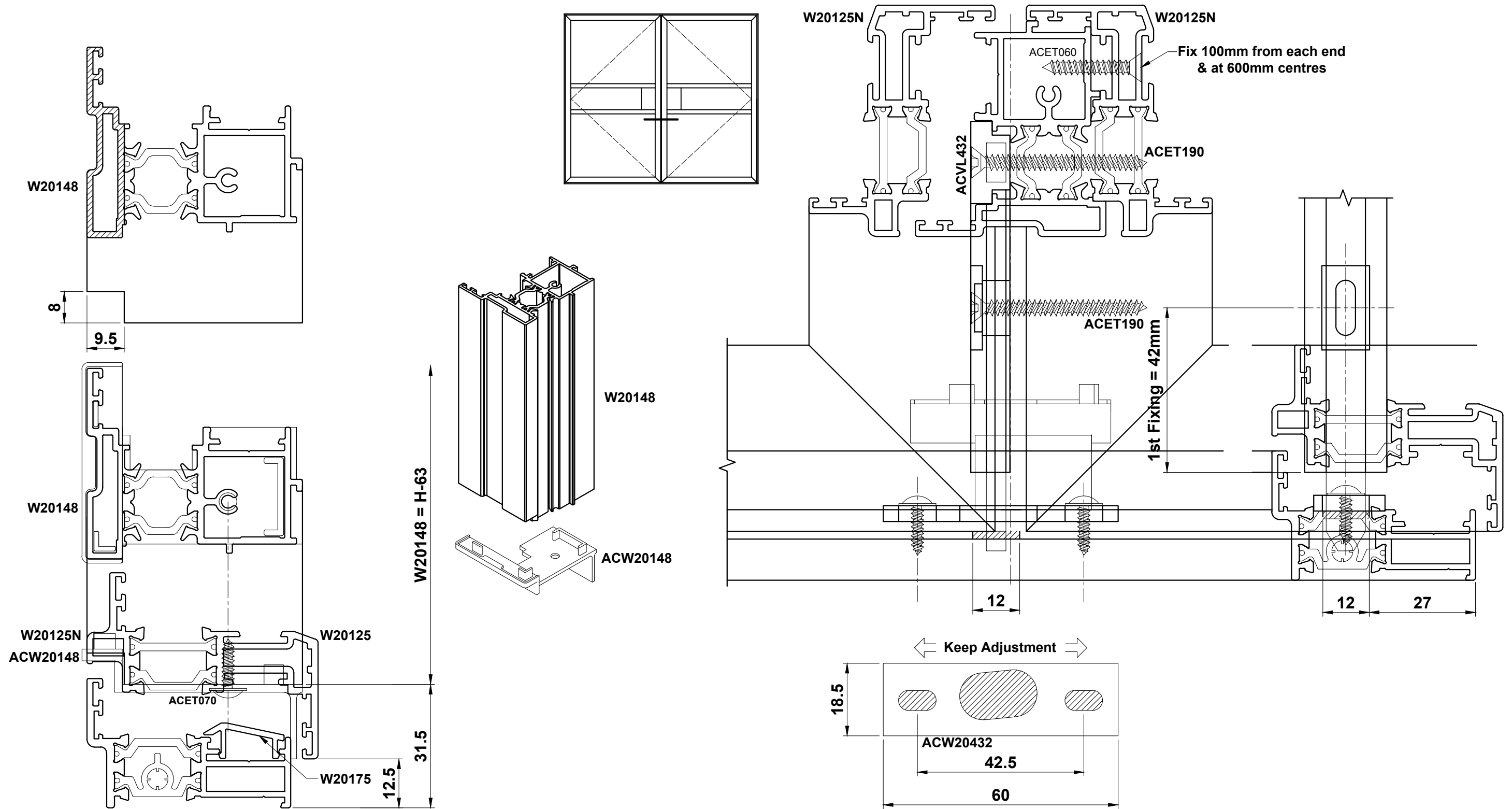


Locking Positions (in unlocked position)



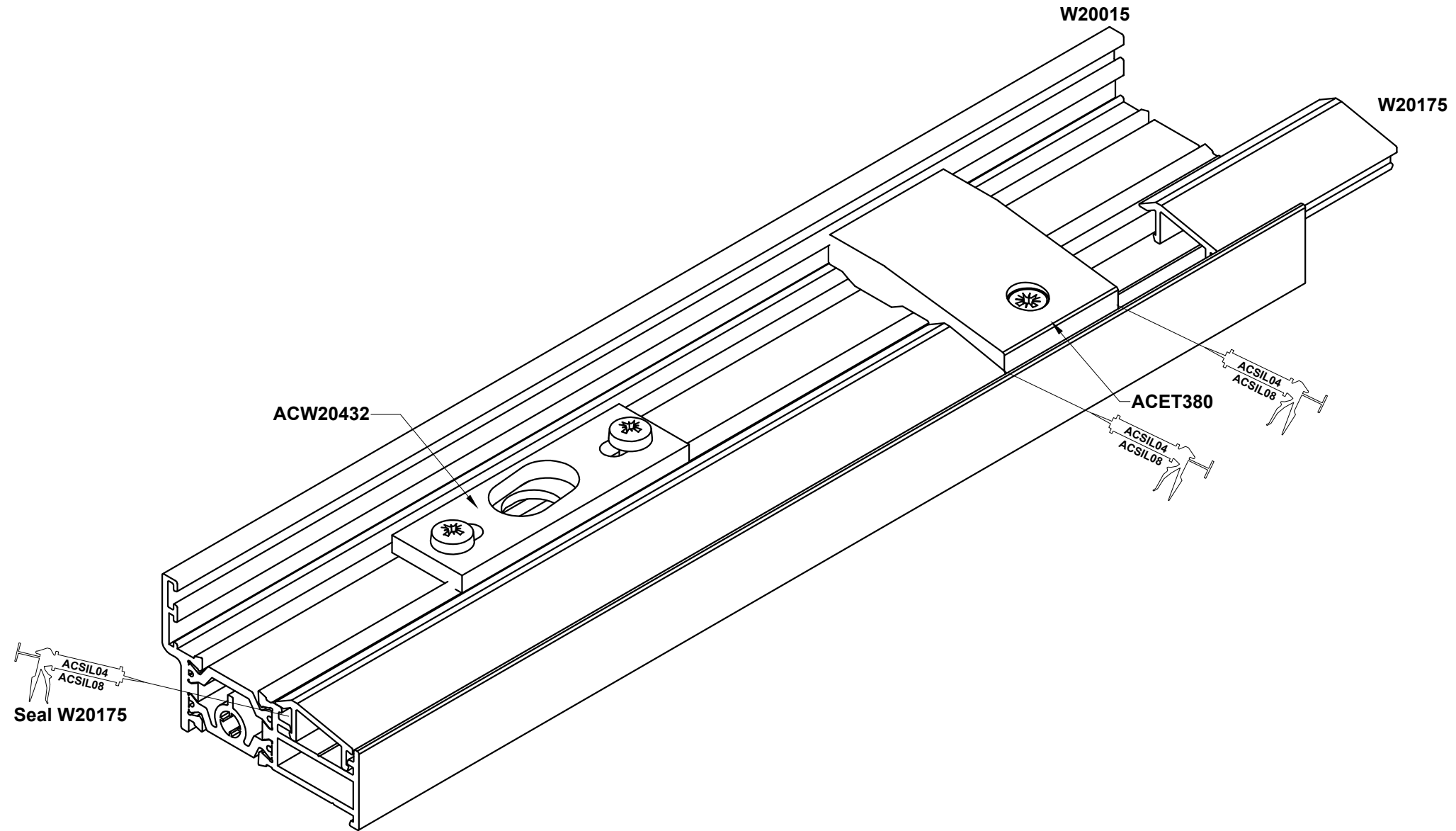
Do Not Scale From This Drawing

Open In Double Door Using W20148



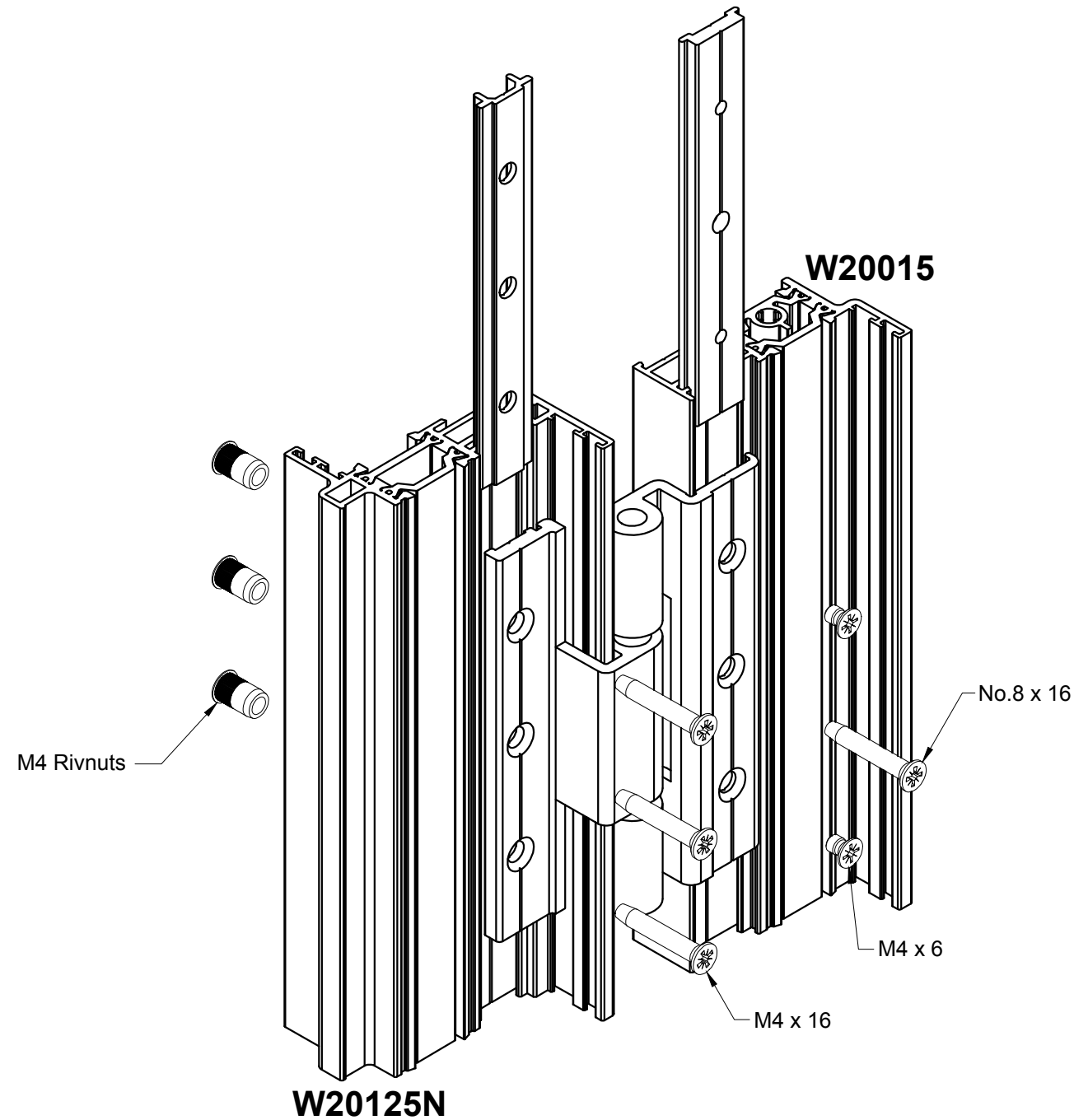
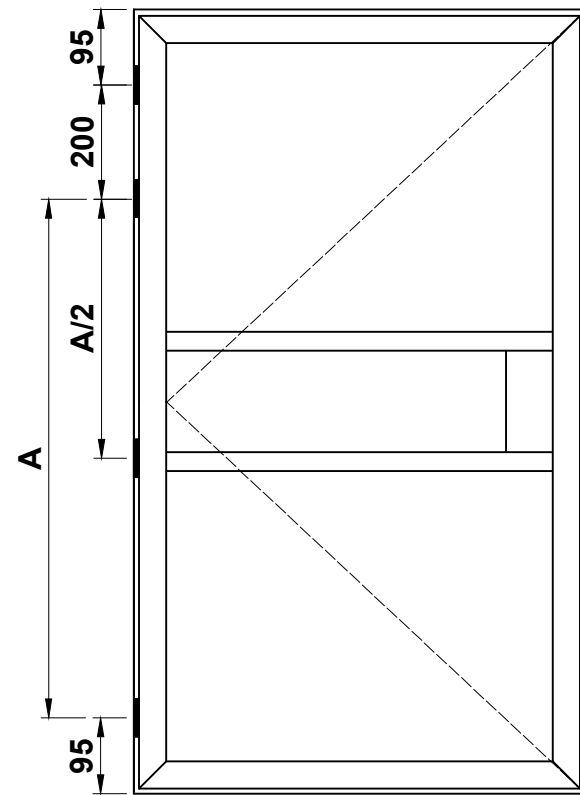
Do Not Scale From This Drawing

Open In Double Door W20175 Detail



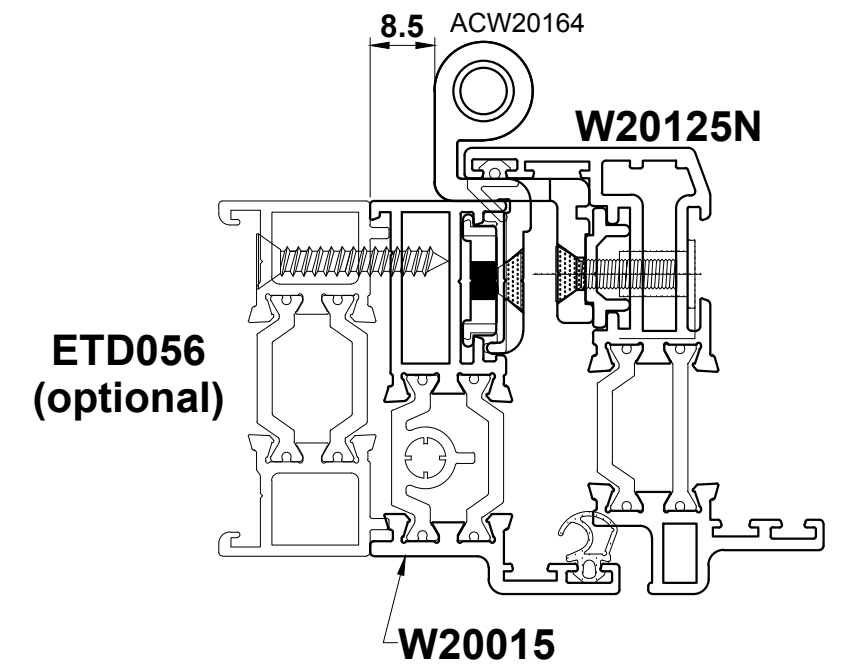
Open In Door Hinge Details

Recommended hinge positions



Assembly Instructions

1. Slide Hinge Backplates into outerframe prior to crimping.
2. Locate each hinge in outerframe and clamp in position using 2No. M4 x 6mm Countersunk screws - supplied with ACW20164.
3. Fasten Hinge to Sash through the adaptor with 3No. M4 x 16mm Screws into the rivnuts - supplied with ACW20164
4. Once the sash requires no further adjustment fix the outerframe half of the hinge with 1 x No.8 x 16mm Pozi Csk Self Tapping screw.

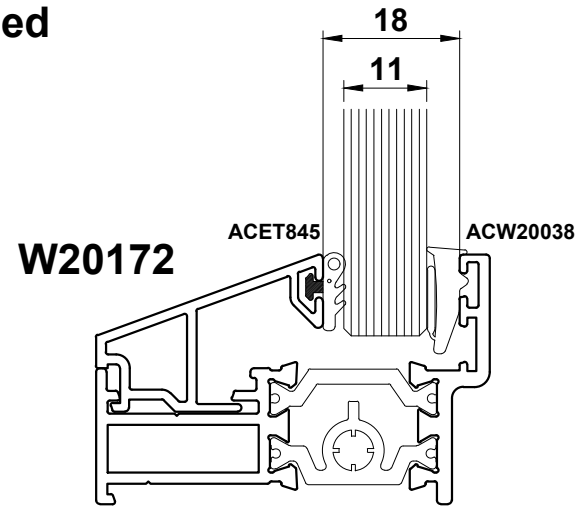


Do Not Scale From This Drawing

Glazing Chart

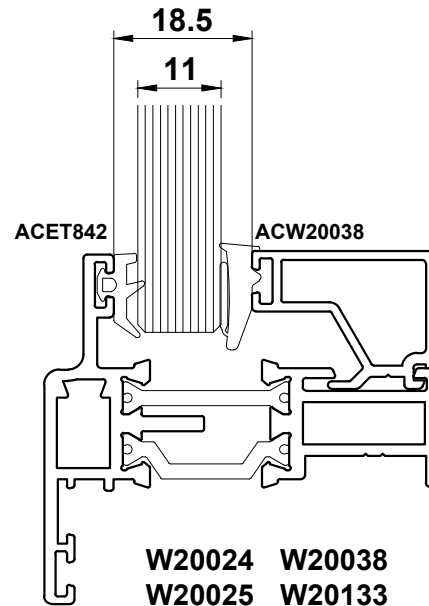
11mm Glazing

Gasket Glazed



W20172

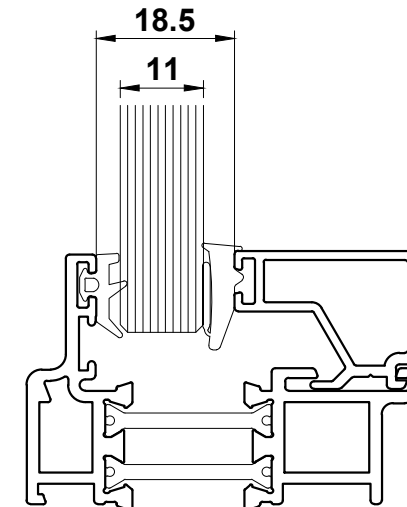
W20015 W20034 W20112
W20016 W20035 W20132
W20017 W20039
W20032 W20111



ACET842 ACW20038

W20173

W20024 W20038
W20025 W20133
W20027 W20135
W20037



W20173

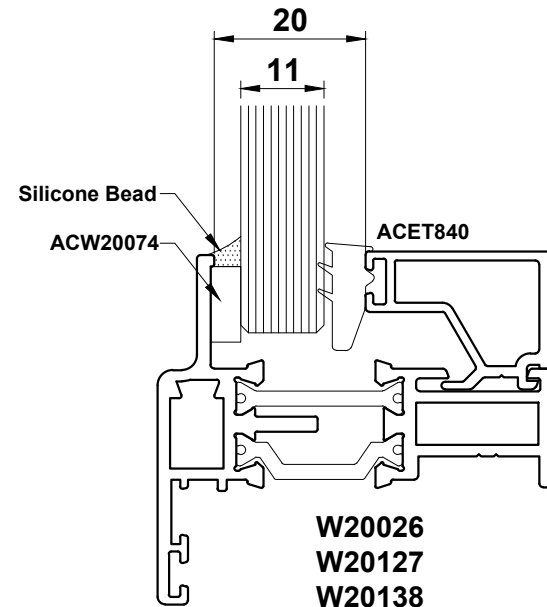
W20018
W20037
W20047
W20125N

11mm Glazing

Tape Glazed

Important Notes:

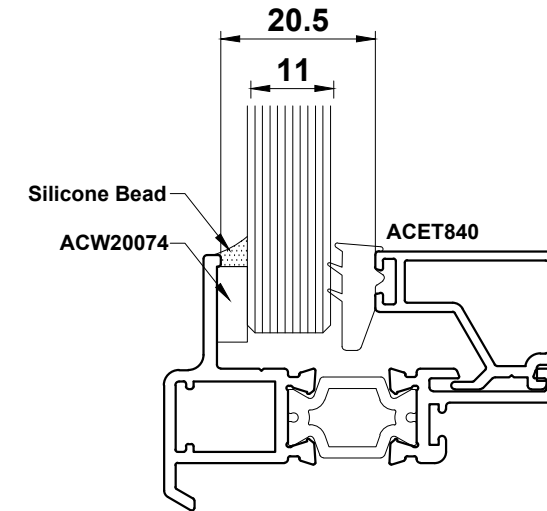
- Glazing tape must be coated with silicone after installation
- Tape glazing is only available for the sections shown to the right



Silicone Bead
ACW20074 ACET840

W20173

W20026
W20127
W20138



Silicone Bead
ACW20074 ACET840

W20173

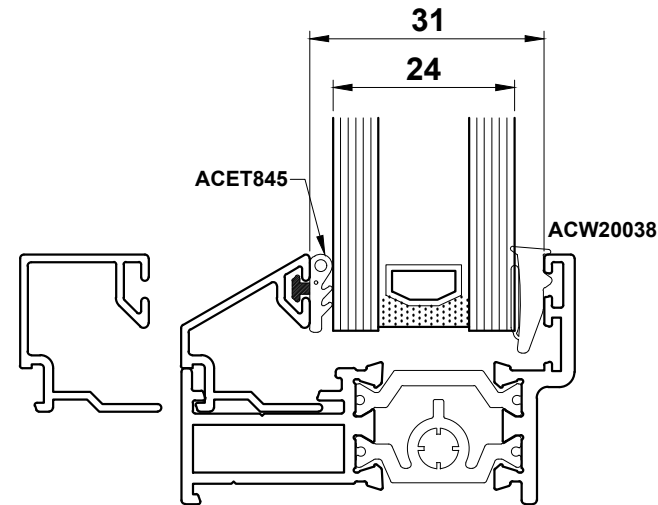
W20147
W20137

Glazing Chart

24mm Glazing

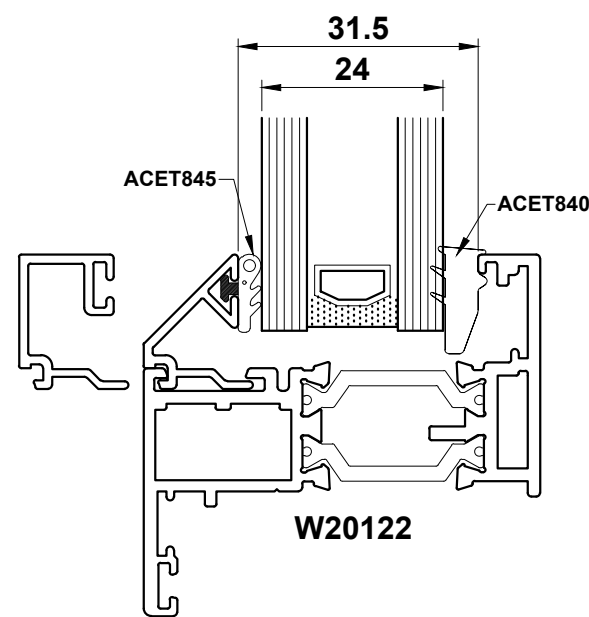
Gasket Glazed

ETC370 or ETC364
Square Chamfered



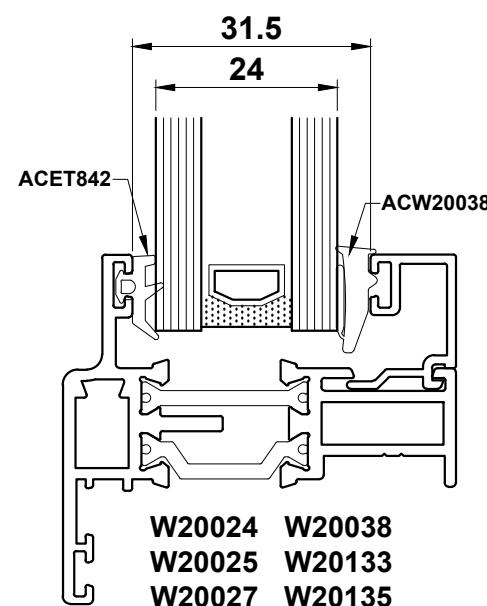
W20015 W20034 W20112
W20016 W20035 W20132
W20017 W20039
W20032 W20111

ETC381 or ETC378
Square Chamfered



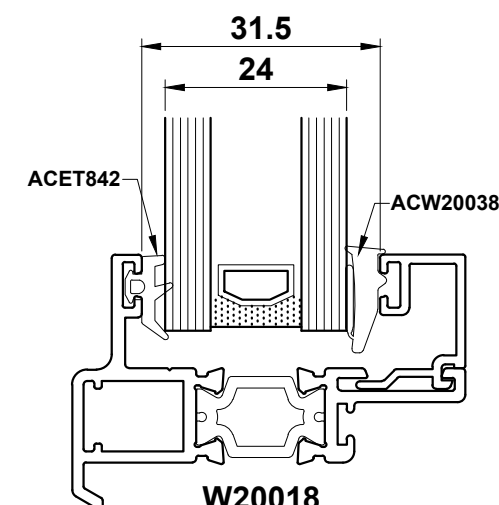
W20122

W20168



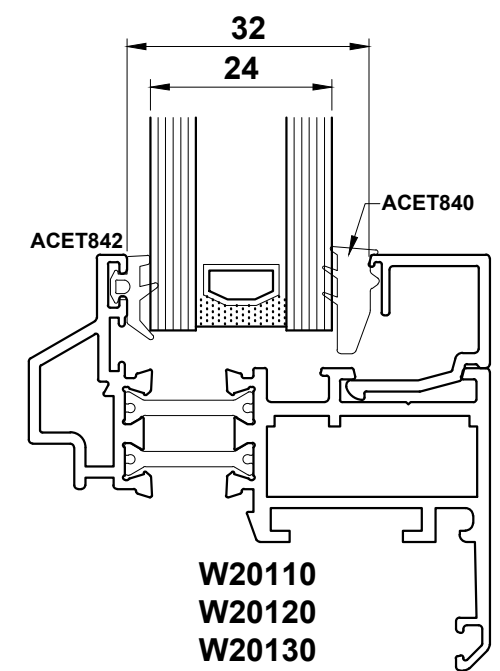
W20024 W20038
W20025 W20133
W20027 W20135
W20037

W20168



W20018
W20037
W20047
W20125N

W20174



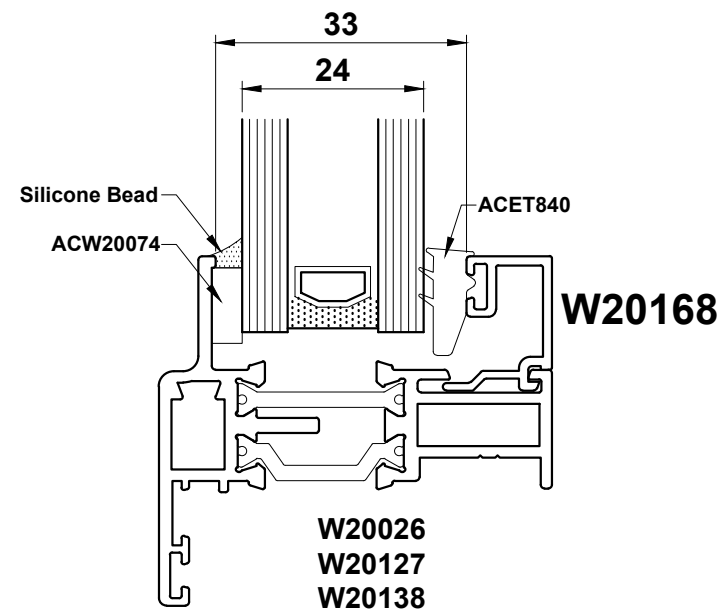
W20110
W20120
W20130

24mm Glazing

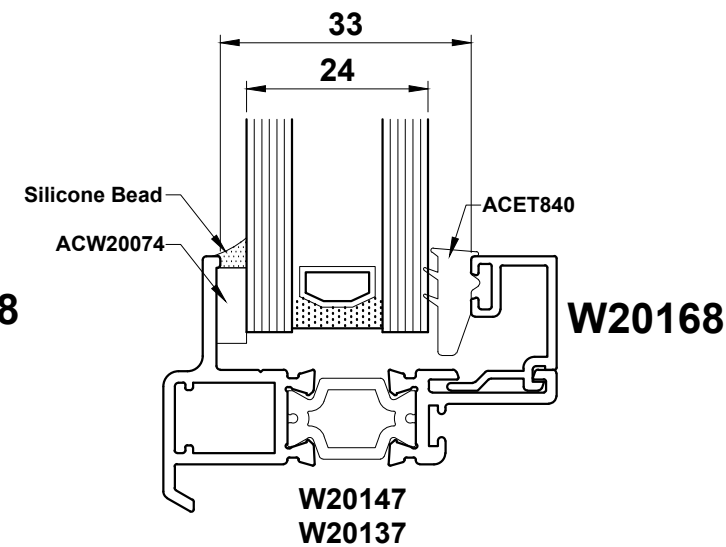
Tape Glazed

Important Notes:

- Glazing tape must be coated with silicone after installation
- Tape glazing is only available for the sections shown to the right



W20026
W20127
W20138



W20147
W20137

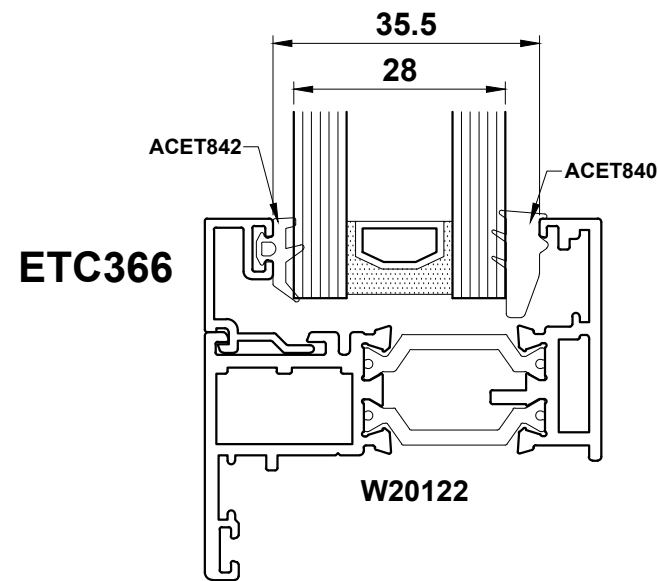
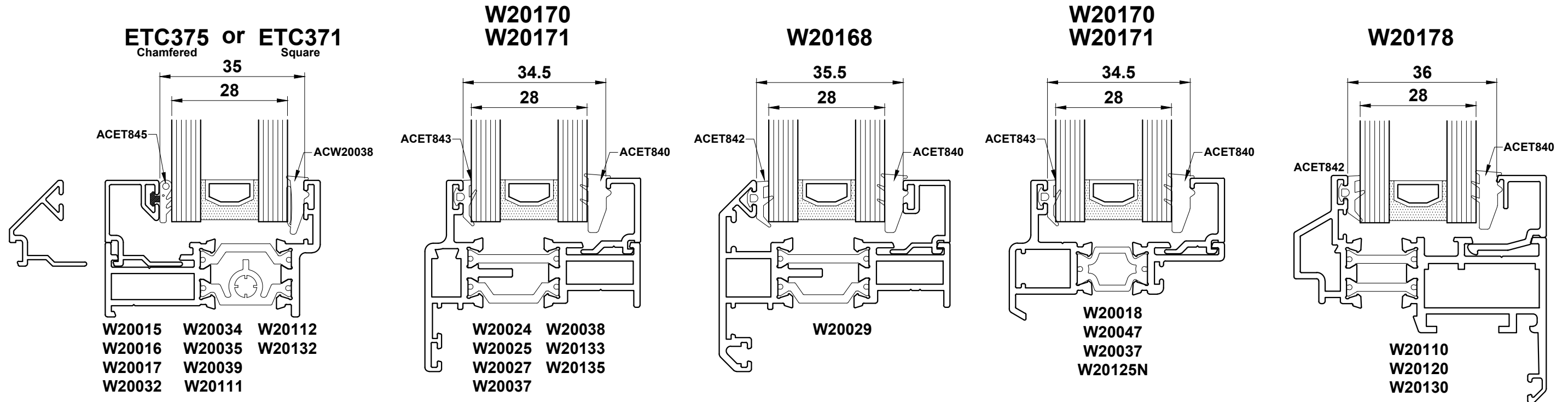
We recommend the use of Black Spacer Bar in the sealed units

Do Not Scale From This Drawing

Glazing Chart

28mm Glazing

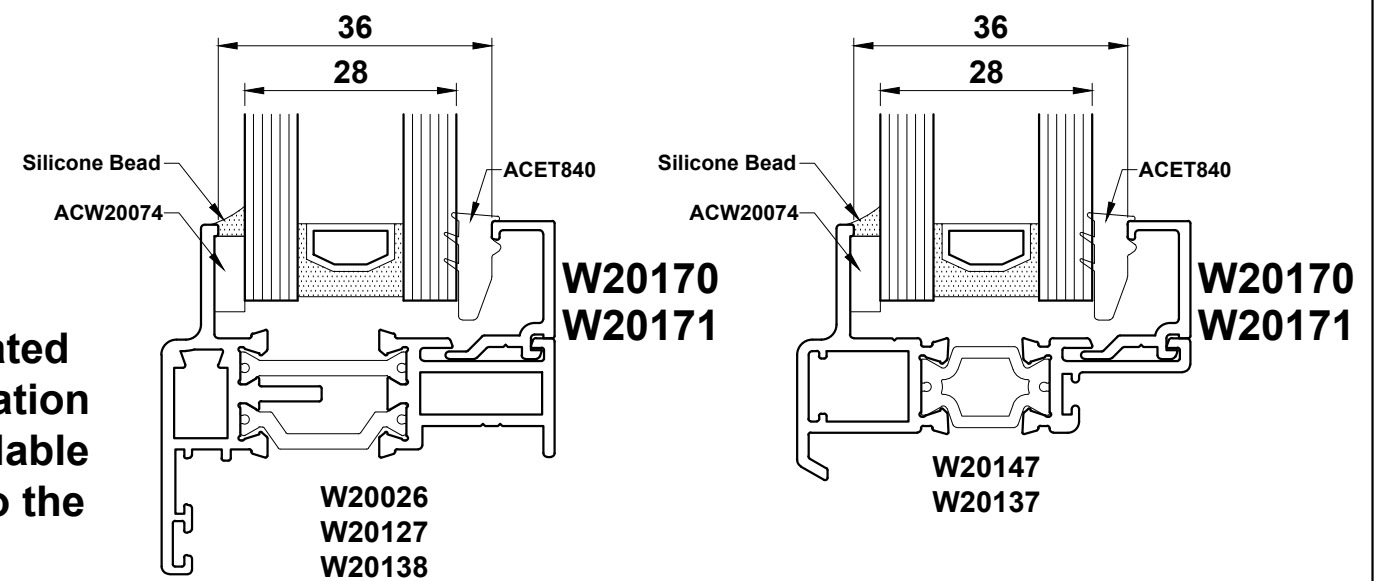
Gasket Glazed



28mm Glazing
Tape Glazed

Important Notes:

- Glazing tape must be coated with silicone after installation
- Tape glazing is only available for the sections shown to the right



Do Not Scale From This Drawing

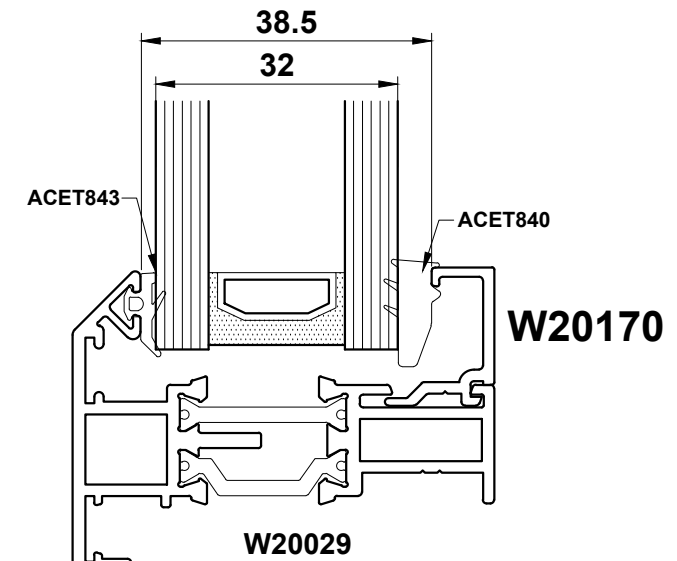
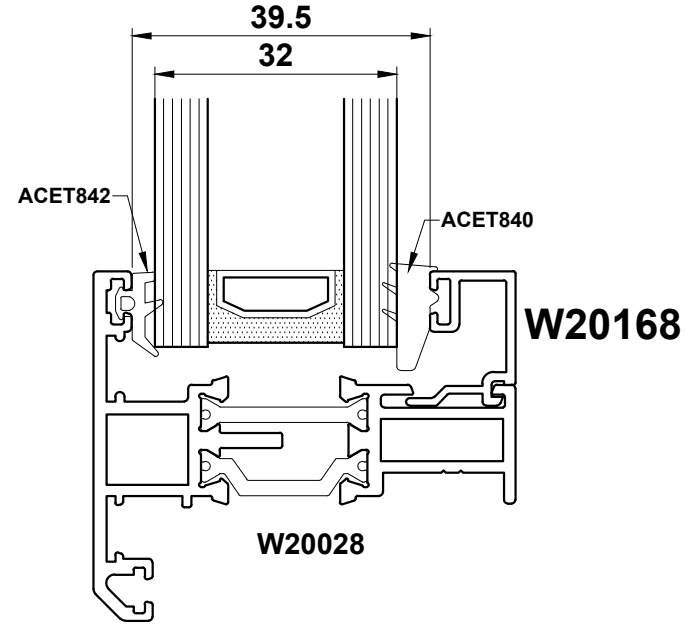
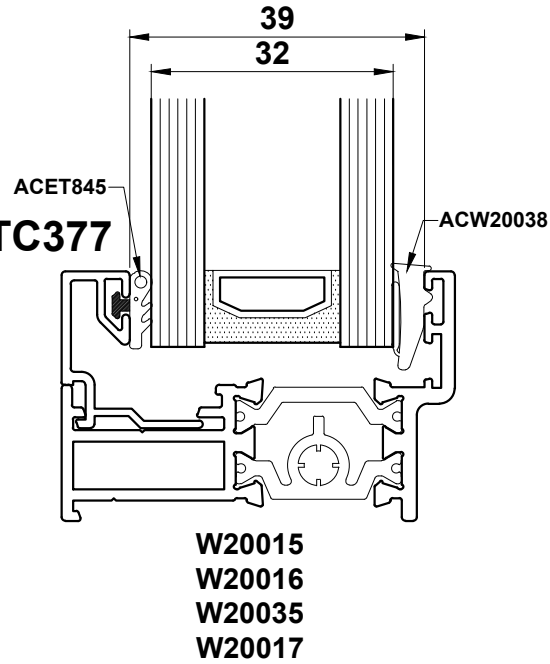
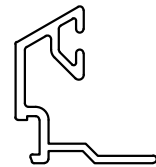
Glazing Chart

32mm Glazing

Gasket Glazed

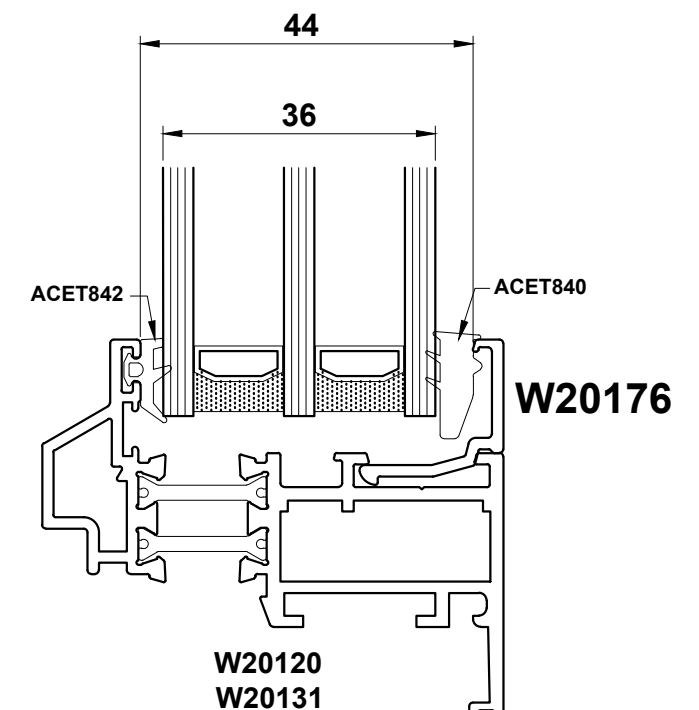
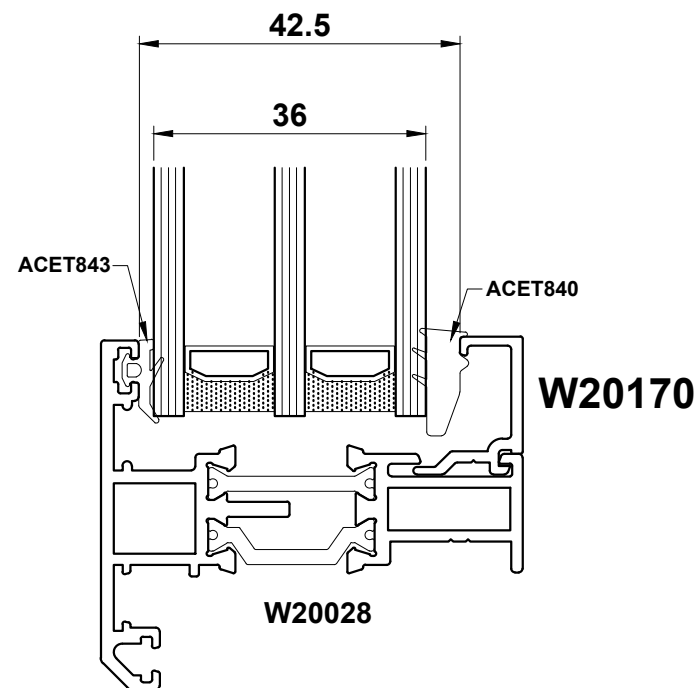
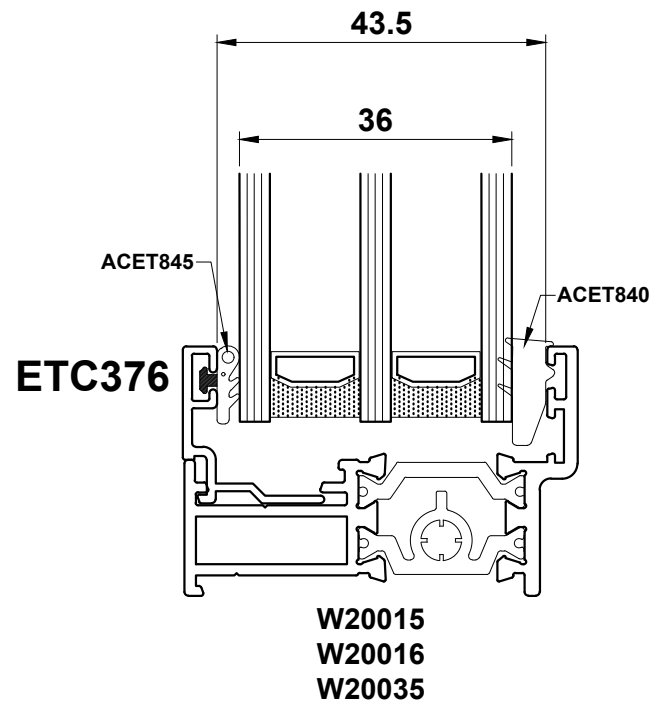
Important Note: 32mm & 36mm glazing is compatible with the below sections only.

ETC379 or ETC377



36mm Glazing

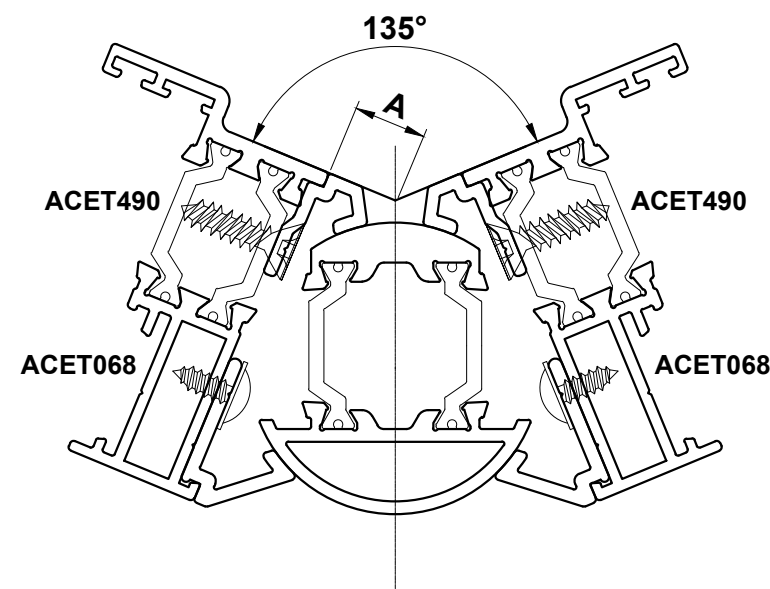
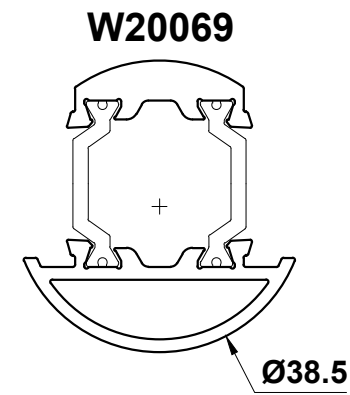
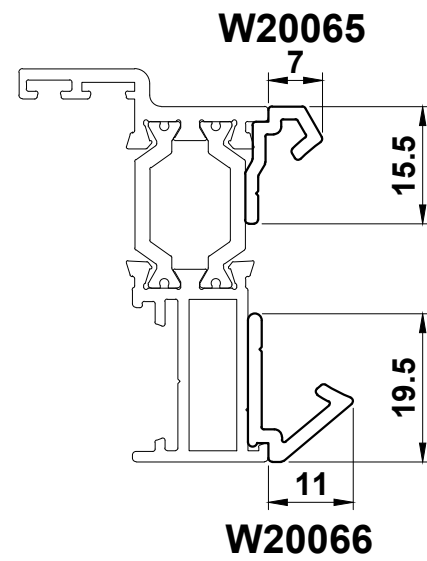
Gasket Glazed



We recommend the use of Black Spacer Bar in the sealed units

Do Not Scale From This Drawing

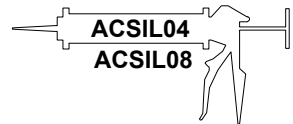
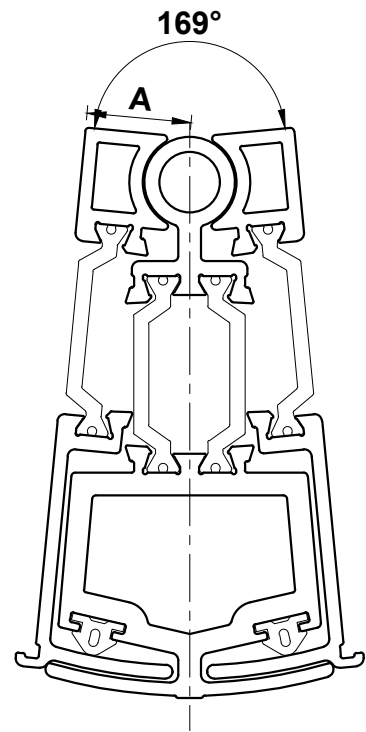
W20015 Bay Pole Selection



ANGLE	DEDUCTION 'A'
180°	18
175°	17
170°	16
165°	15.5
160°	14.5
155°	13.5
150°	12.5
145°	11.5
140°	10.5
135°	9.5
130°	8.5
125°	7.5
120°	6.5
115°	5

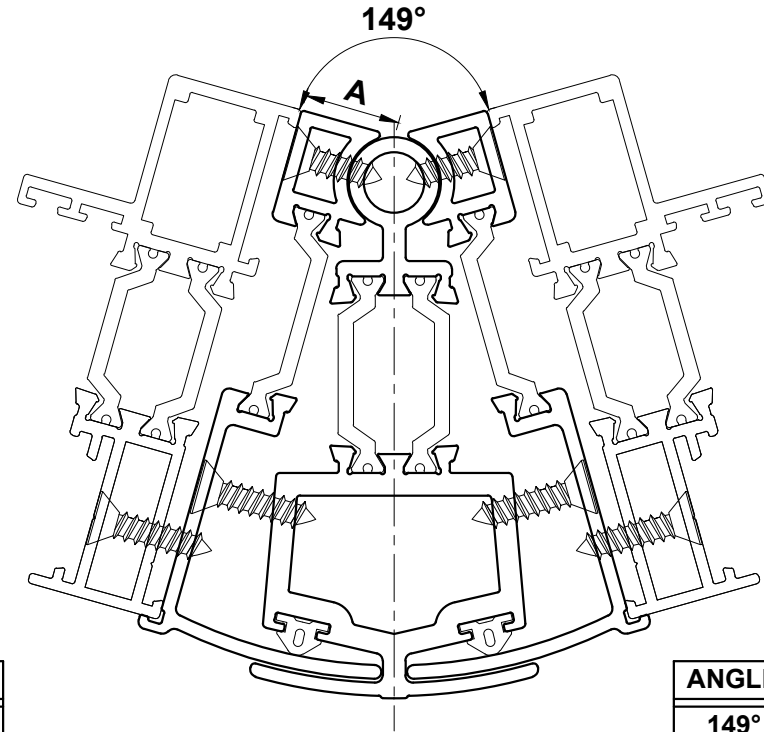
Do Not Scale From This Drawing

W20017 Bay Pole Selection

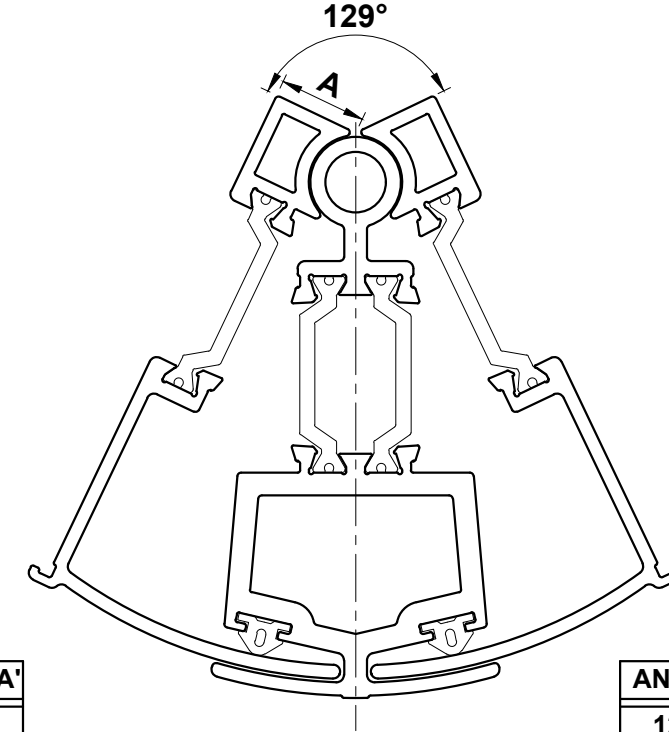


Important Note:
All joints must be adequately sealed using ACSIL04

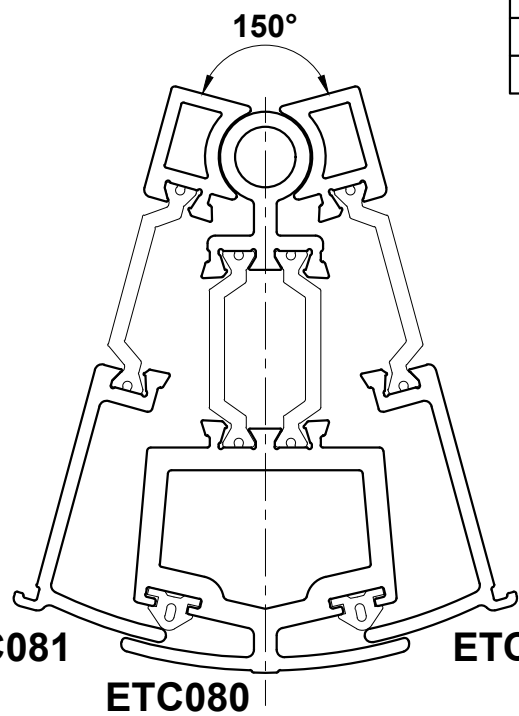
ANGLE	DEDUCTION 'A'
169°	14
165°	13.5
160°	13.6
155°	13
150°	13



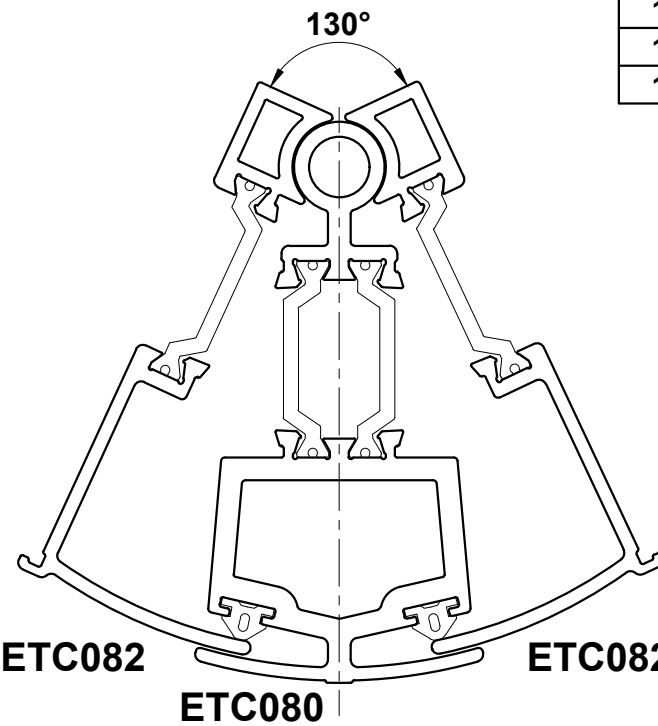
ANGLE	DEDUCTION 'A'
149°	12.5
145°	12.5
140°	12
135°	12
130°	11.5



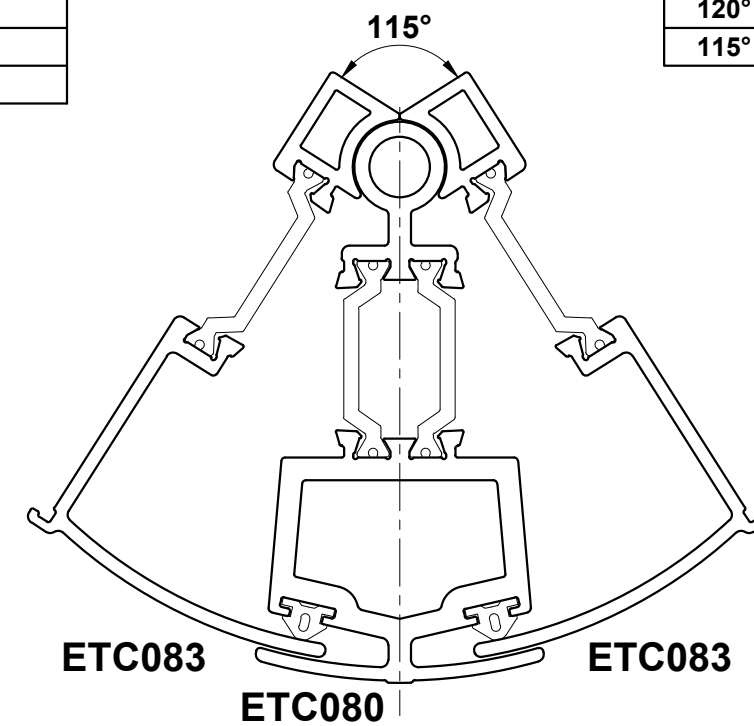
ANGLE	DEDUCTION 'A'
129°	11.5
125°	11.5
120°	11
115°	10.5



ETC081 ETC081
ETC080



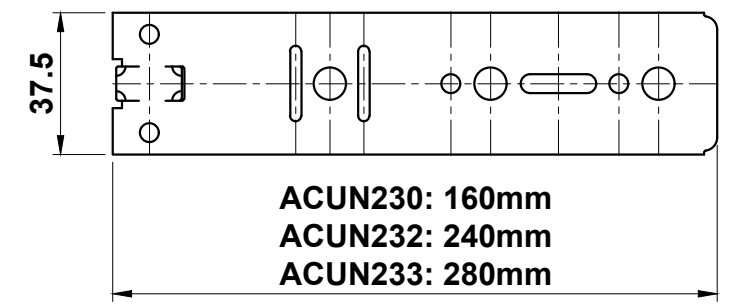
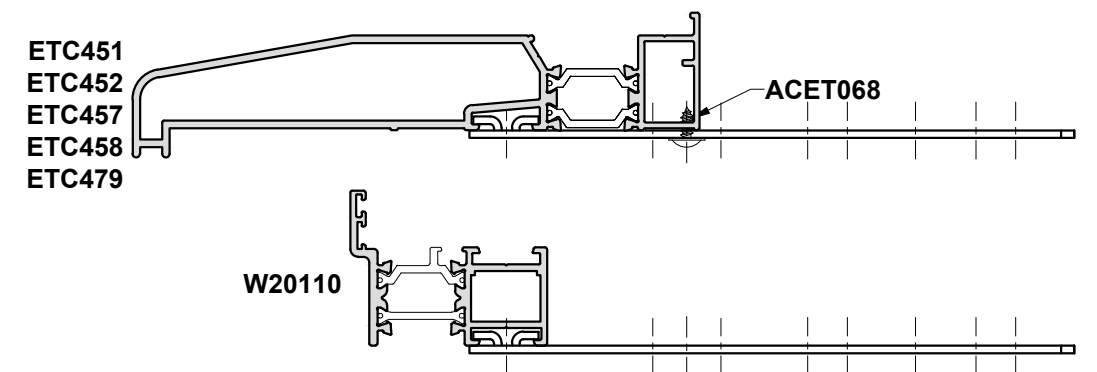
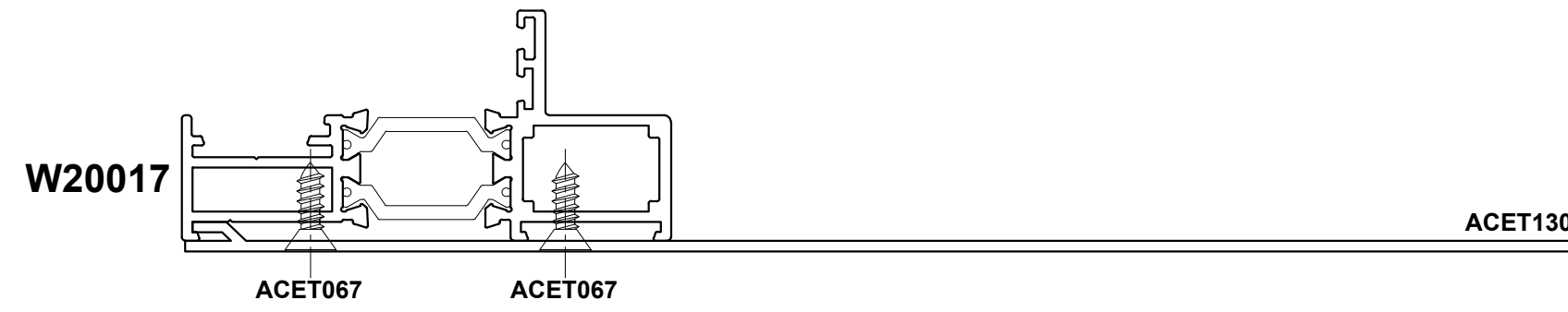
ETC082 ETC082
ETC080



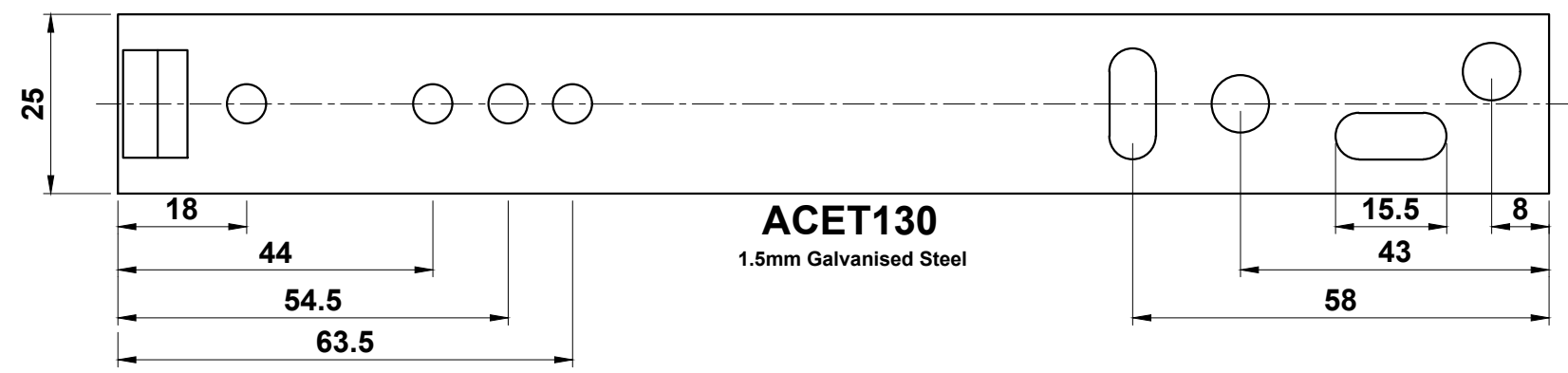
ETC083 ETC083
ETC080

Do Not Scale From This Drawing

Fixing Strap Guide



NOTE:
Fixing straps should be spaced a minimum of 150mm in from each end & at a maximum of 300mm apart.



Do Not Scale From This Drawing

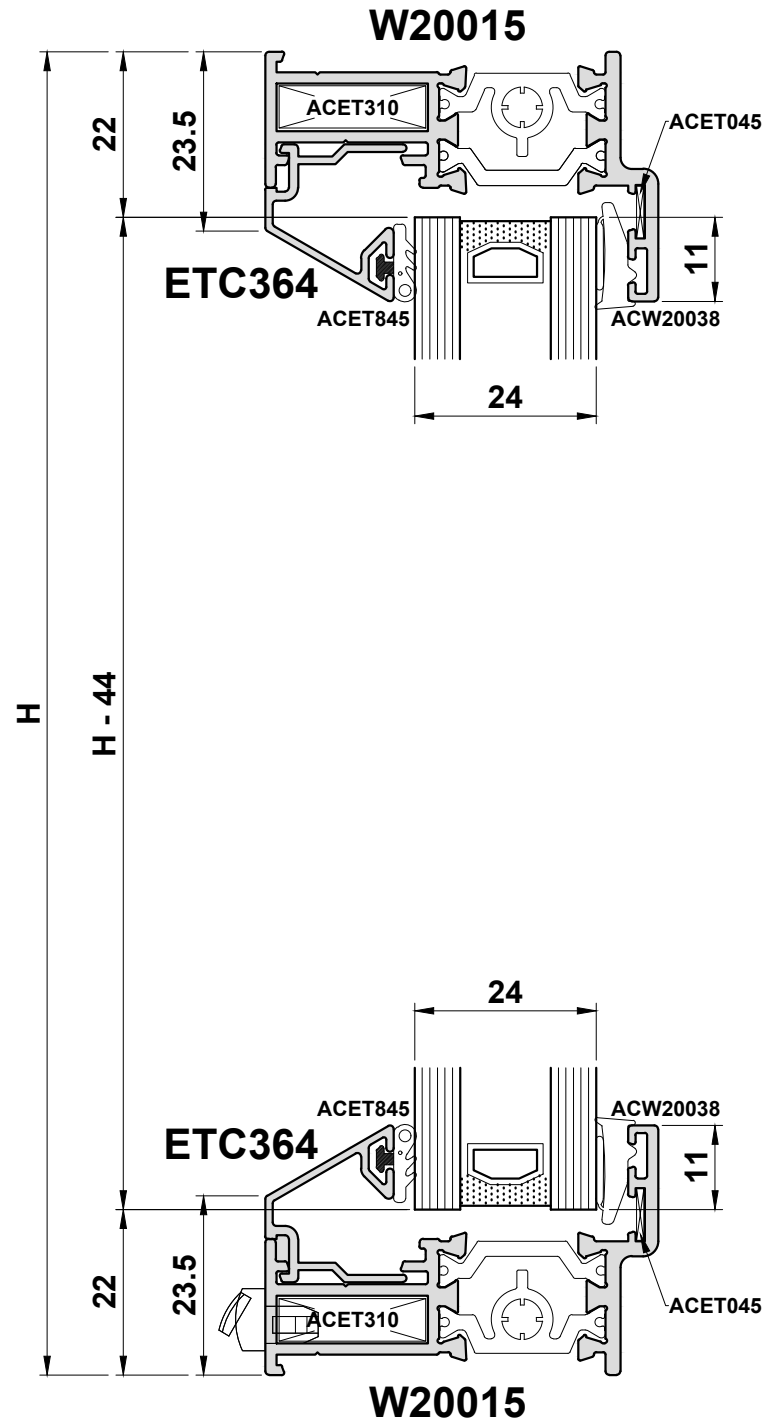
Section F

Sawing Tables

Fixed Light	Page F03 - F05
Side Hung Casement	Page F06 - F07
Top Hung Casement	Page F08
Side Hung Casement Adjacent to Fixed light	Page F09
Top Hung Over Fixed Light	Page F10
Fixed Light over Top Hung	Page F11
Side Hung Casement Adjacent to Side Hung Casement	Page F12
Tilt & Turn	Page F13
Tilt & Turn Adjacent to Fixed Light	Page F14
Open Out Single Door	Page F15 - F17
Open Out Double Door	Page F18 - F19
Open In Single Door	Page F20 - F21
Open In Double Door	Page F22 - F23

Section F

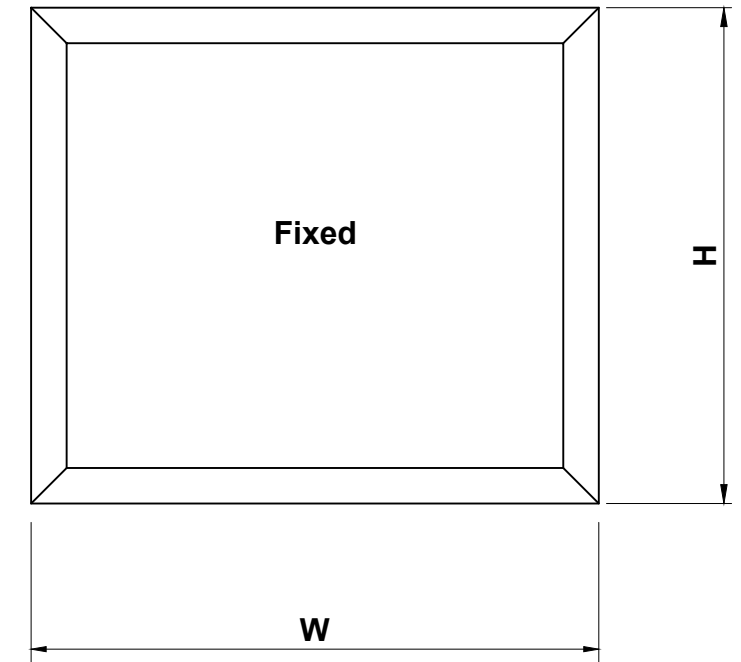
Cutting Information - Fixed Light Frame - Equal Leg W20015



Sections

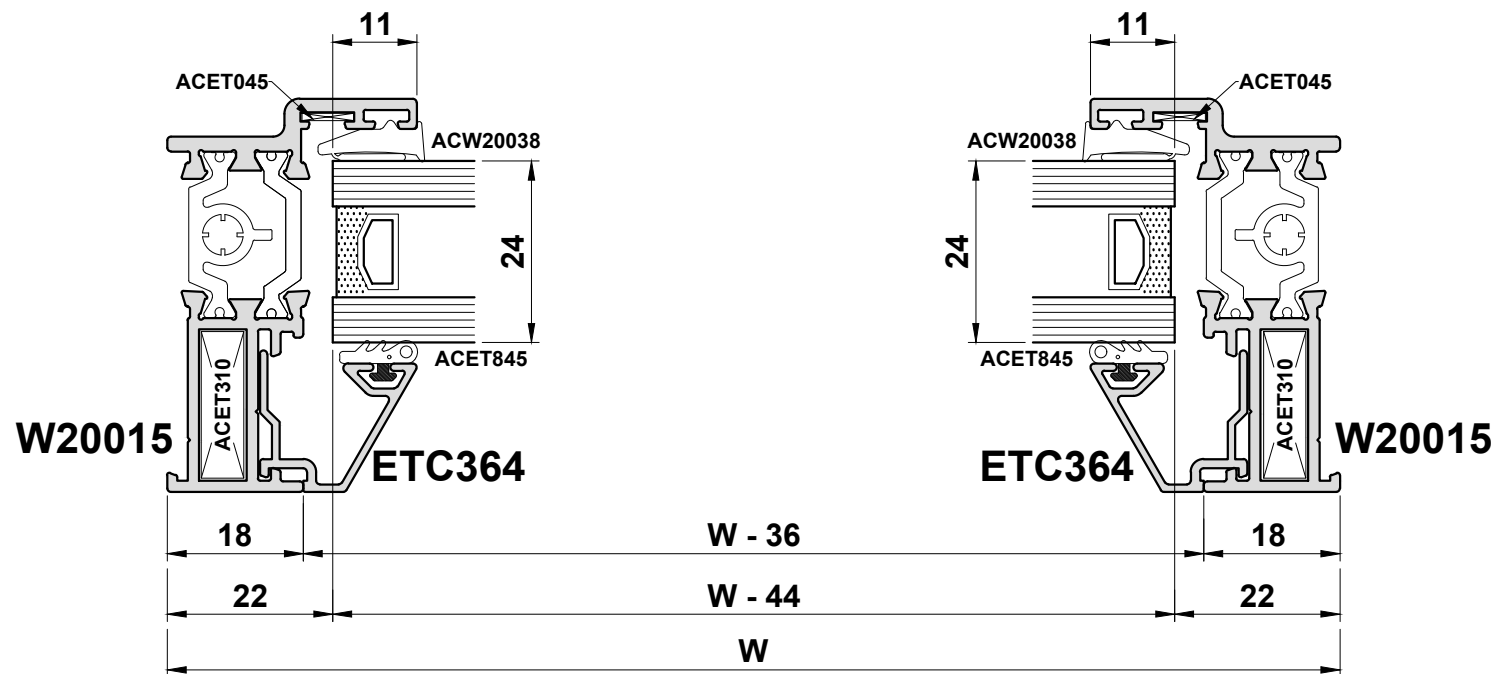
W20015		2		H
W20015		2		W
ETC364		2		W-36
ETC364		2		H-47

Glass
W - 44
H - 44



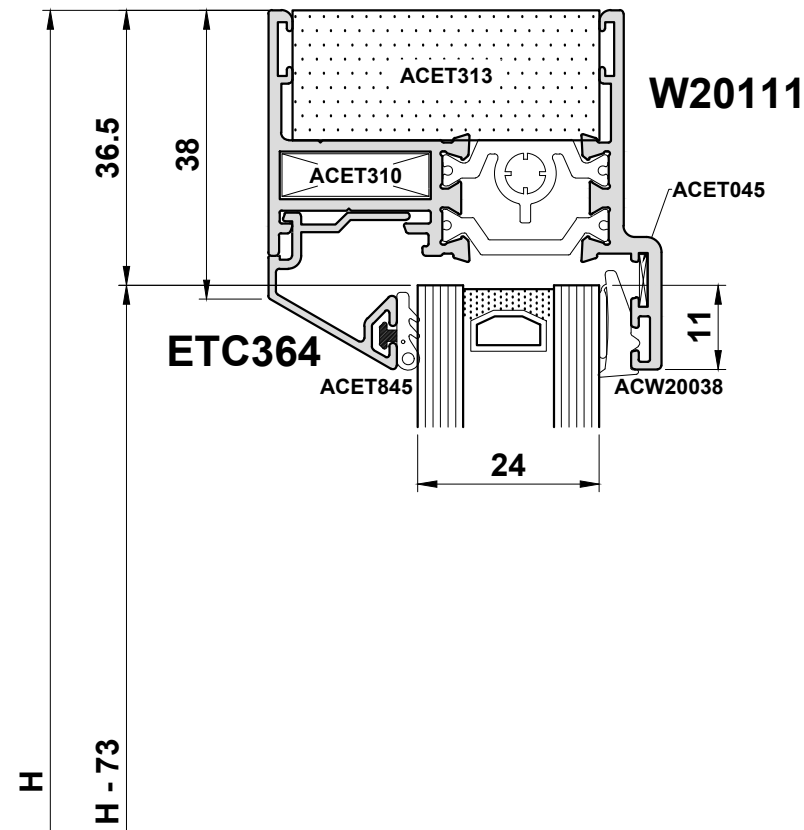
Accessories

ACET045	4	Chevron
ACET310	4	Cleat Outerframe
ACET845	2(W+H)	E Gasket
ACW20038	2(W+H)	Wedge Gasket
ACGSL045	2	Drainage Cap



Do Not Scale From This Drawing

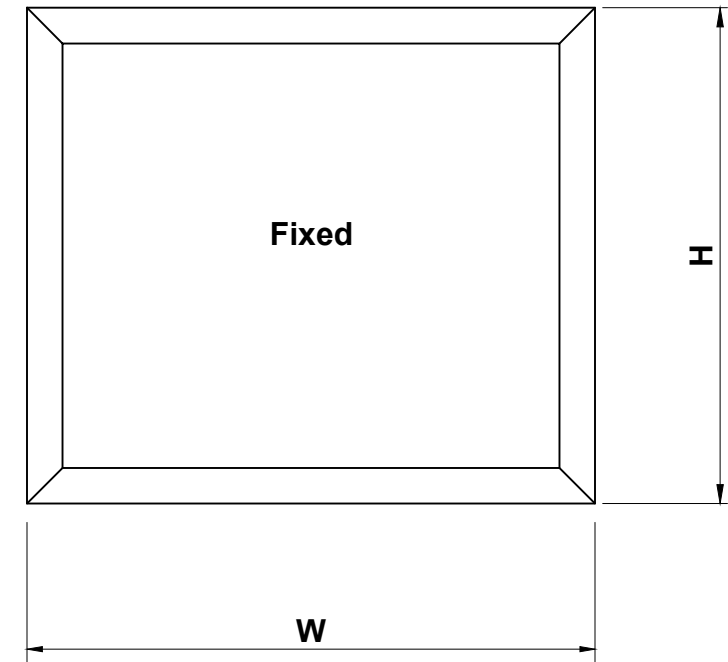
Cutting Information - Fixed Light Frame - Long Leg W20111



Sections

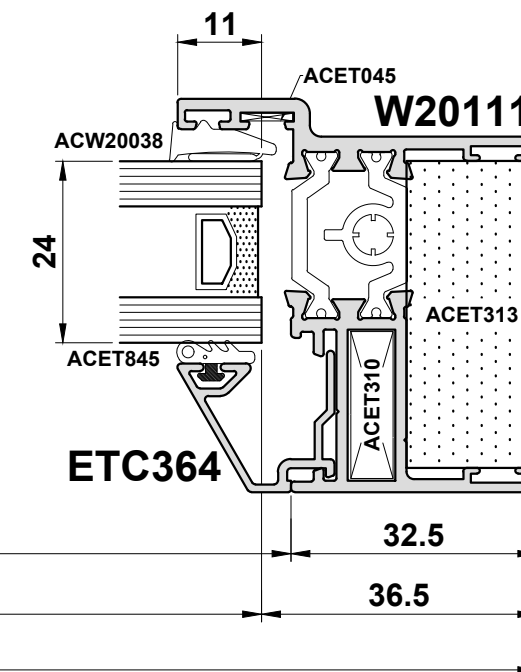
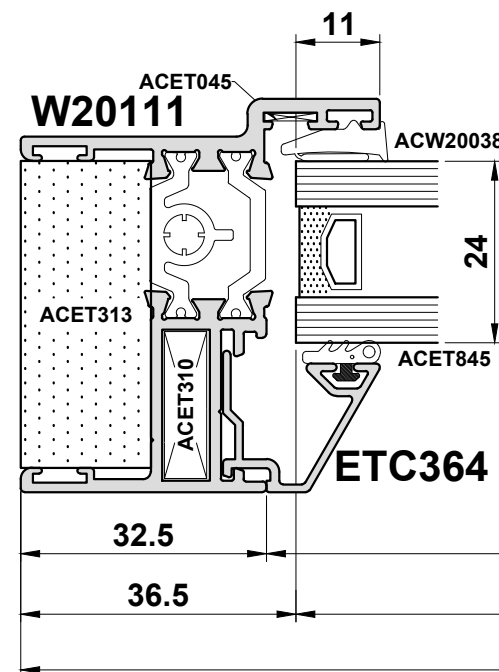
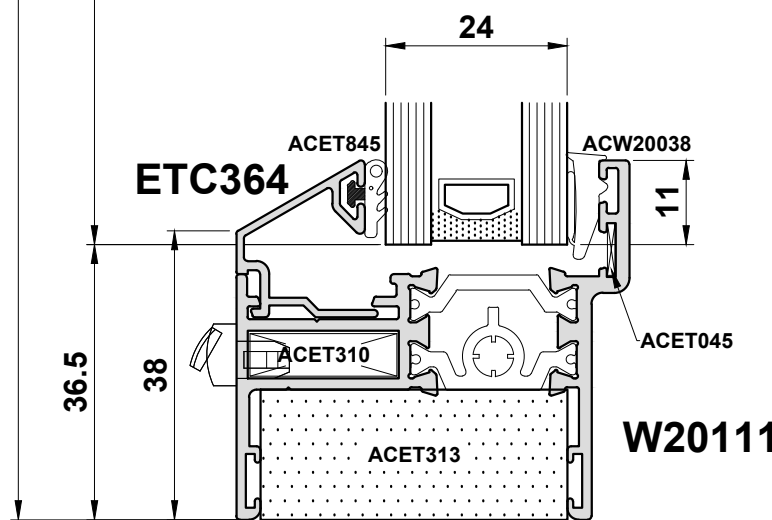
W20111		2		H
W20111		2		W
ETC364		2		W-65
ETC364		2		H-76

Glass
W - 73
H - 73



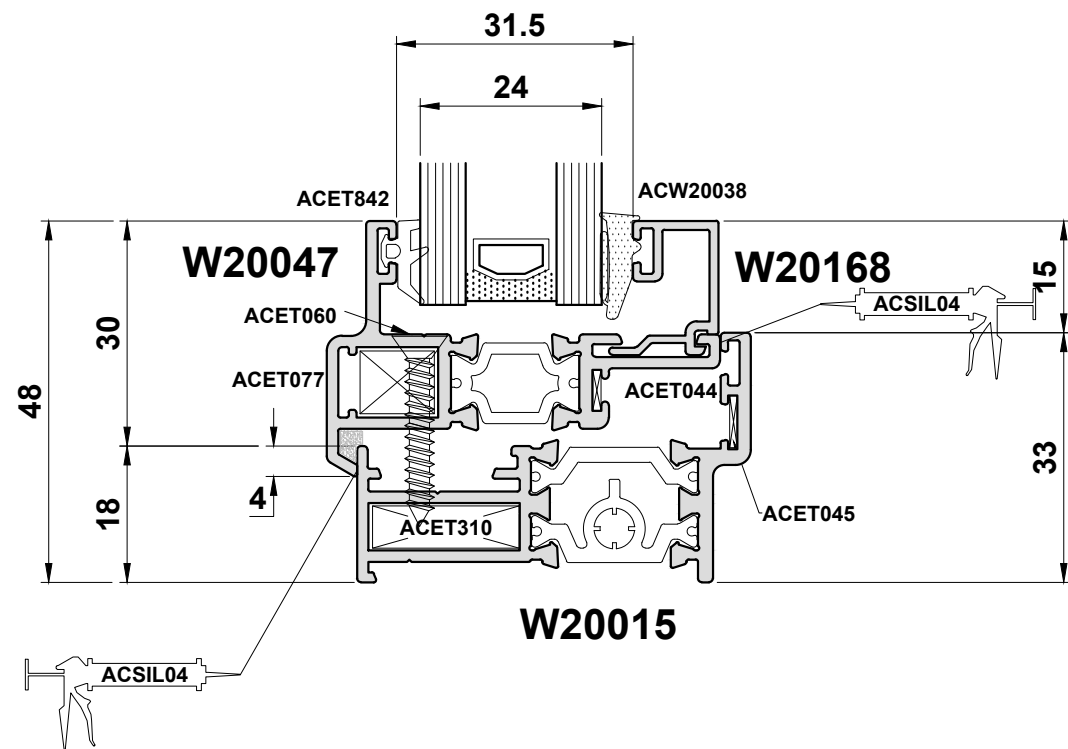
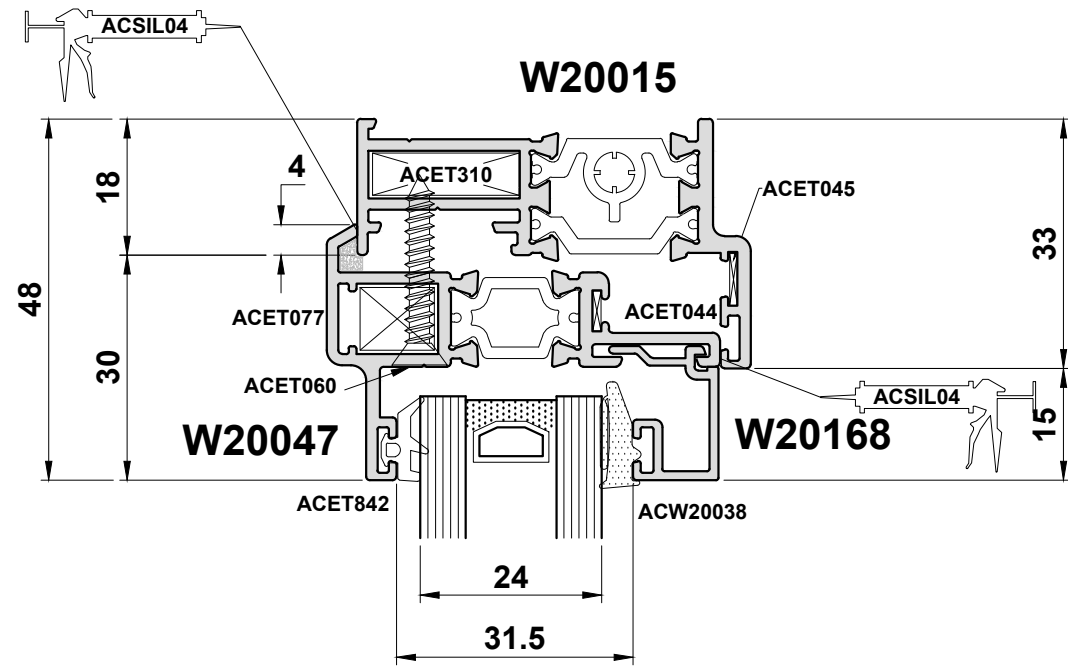
Accessories

ACET045	4	Chevron
ACET310	4	Cleat Outerframe
ACET845	2(W+H)	E Gasket
ACW20038	2(W+H)	Wedge Gasket
ACGSL045	2	Drainage Cap
ACET313	2H + 2W	Outerframe Foam



Do Not Scale From This Drawing

Cutting Information - Fixed Light Frame - With Reverse Adaptor



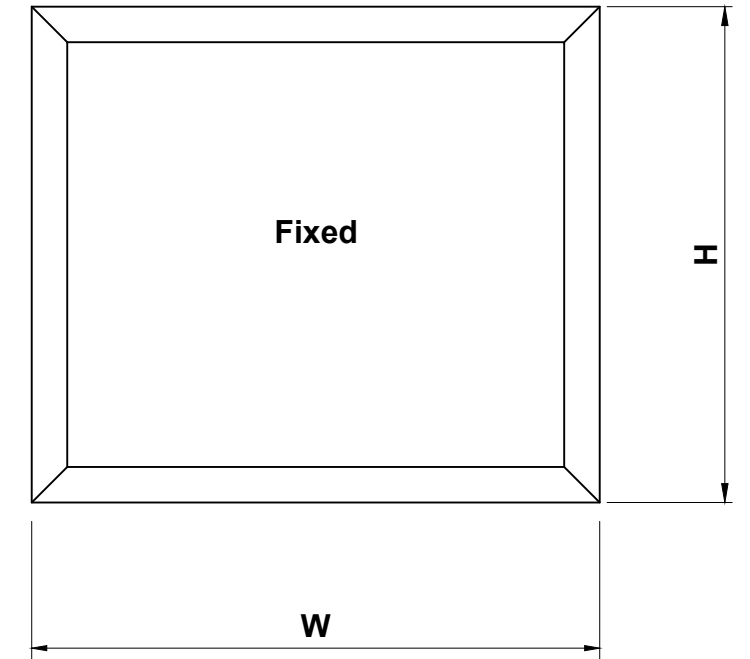
Sections

W20015		2		H
W20015		2		W
Bead		2		W-66
Bead		2		H-96
W20047		2		W-28
W20047		2		H-28

Accessories

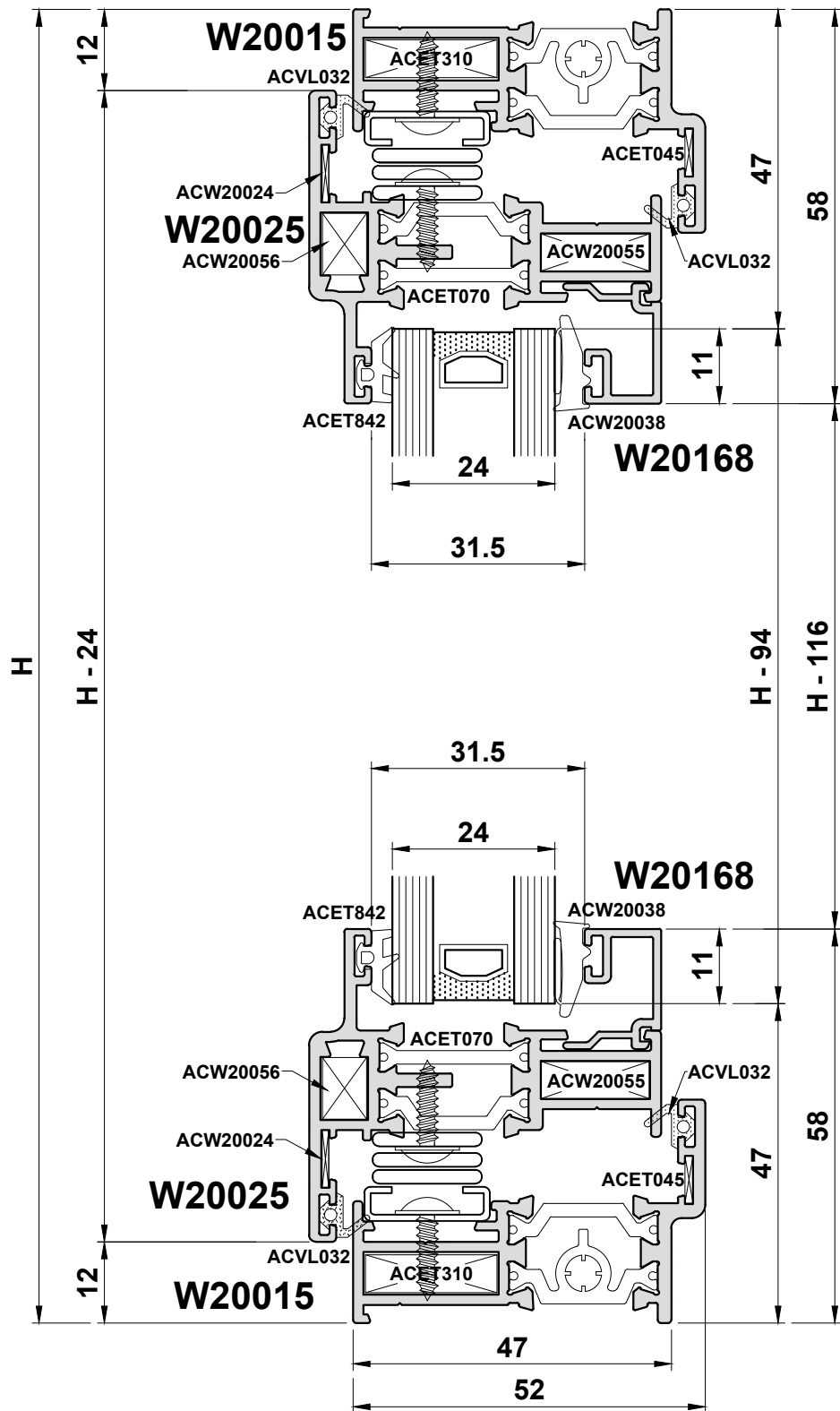
ACET044	4	Stainless Steel : Chevron
ACET045	4	Stainless Steel : Chevron
ACET077	4	Corner Cleat
ACET310	4	Outerframe : Cleat
ACET393	8 +	Packer
ACET842	2(W+H)	E Gasket
ACGSL045	2	Drainage Cap
ACW20038	2(W+H)	Wedge Gasket

Glass
W - 73
H - 73



Do Not Scale From This Drawing

Cutting Information - Vent Frame using W20015 Outer Frame and W20025 Vent



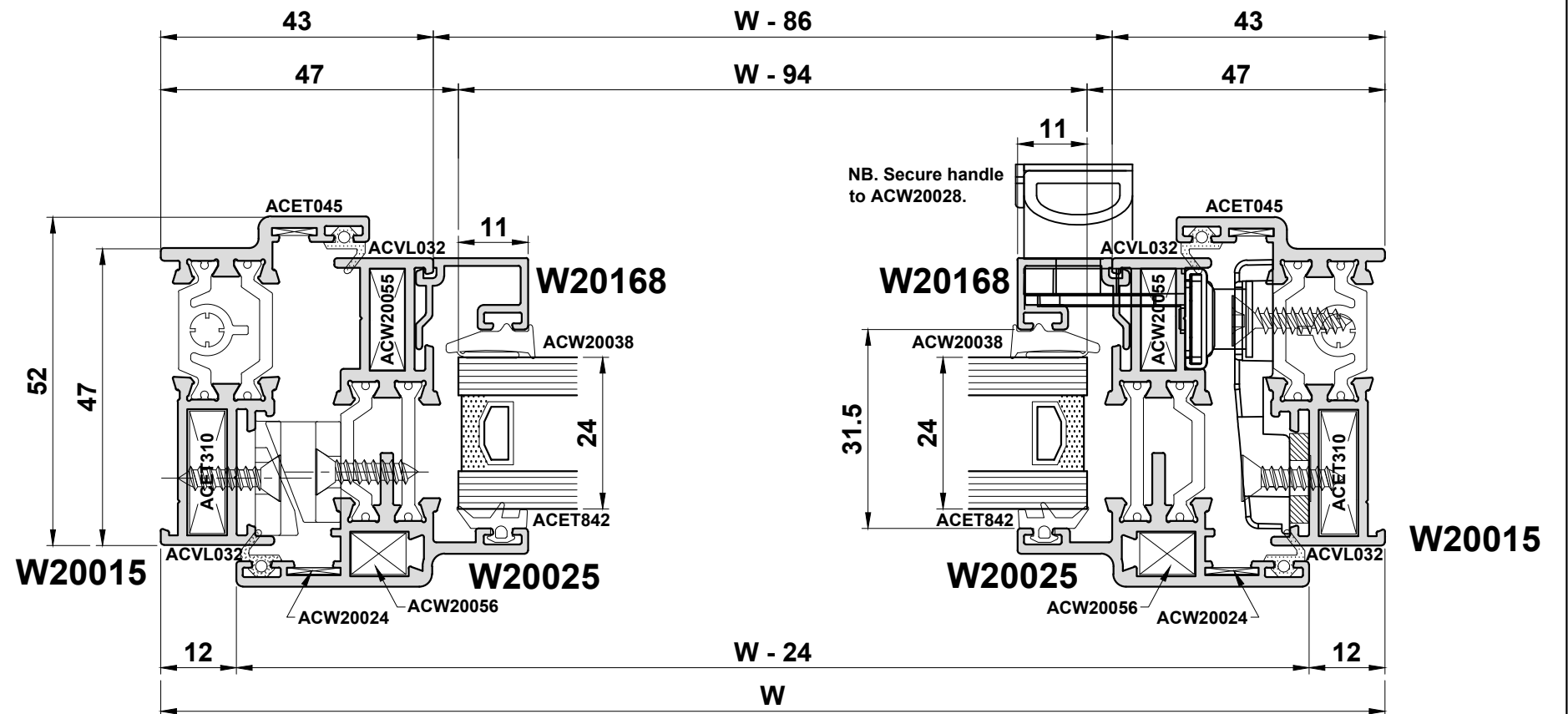
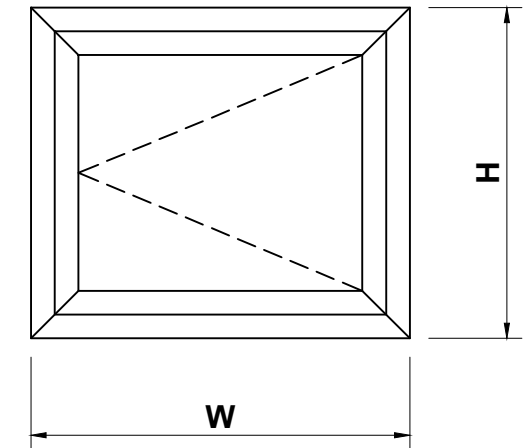
Sections

W20015		2		H
W20015		2		W
W20025		2		H-24
W20025		2		W-24
W20168		2		W-86
W20168		2		H-116

Accessories

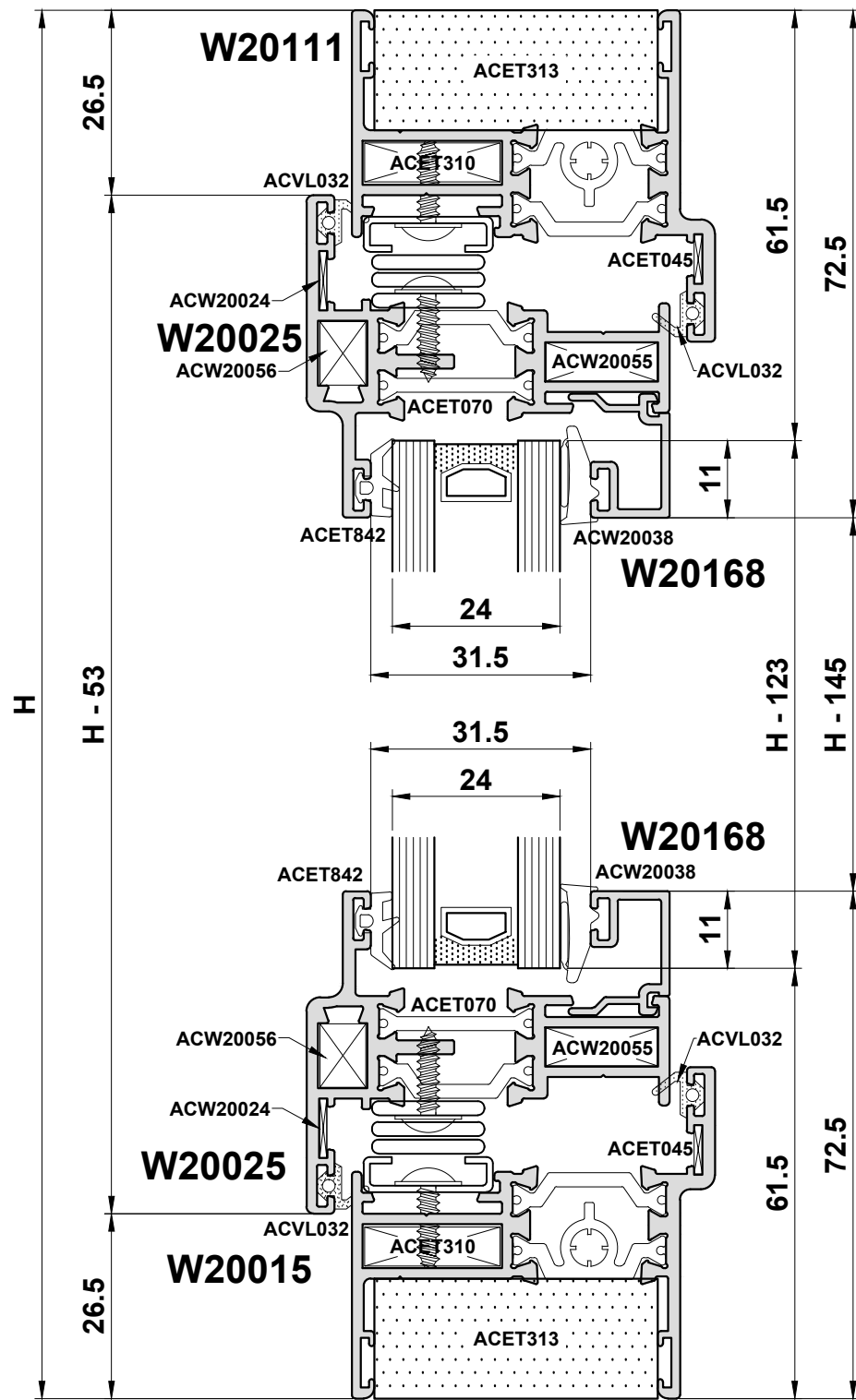
ACET045	4	Chevron
ACET165	1	Espag Locking Handle
ACET310	4	Cleat Outerframe
ACET352	2 Pairs	Pull-in Blocks
ACET380	1	Run-up Block
ACET394	8	Keep & Stay Packer
ACET513	1	Cavity Hinge Protector
ACET842	2(W+H)	Gasket E
ACGSL045	2	Drainage Cap
ACIN****	2	Friction Stay / Hinge
ACVL032	4(W+H)	Flipper Gasket
ACW20*	1	Reverse Locking Espag
ACW20024	4	Chevron
ACW20028	1	Handle Fixing Block
ACW20038	2(W+H)	Wedge Gasket
ACW20055	4	Cleat Ventframe
ACW20056	4	Cleat Ventframe

Glass
W - 94
H - 94



Do Not Scale From This Drawing

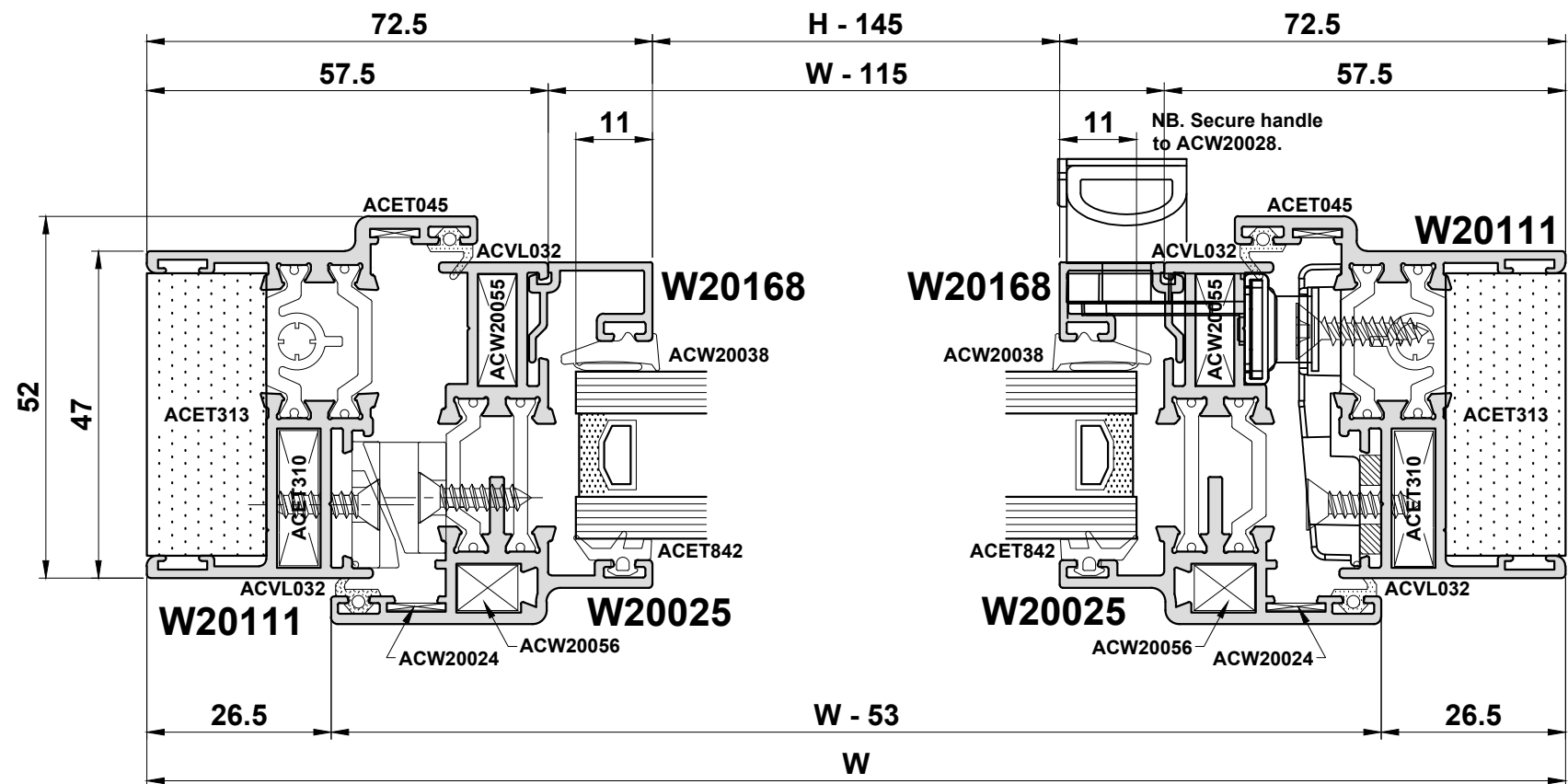
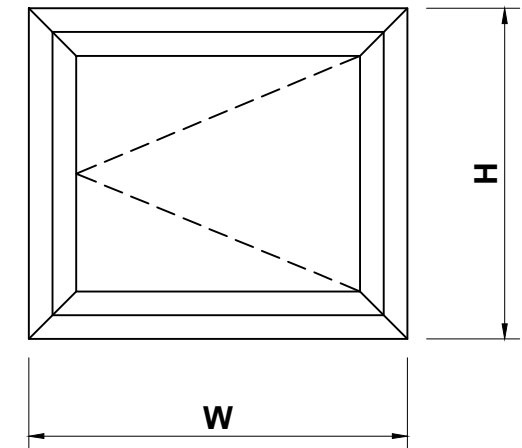
Cutting Information - Vent Frame using W20111 Outer Frame and W20025 Vent



Sections				
W20111		2		H
W20111		2		W
W20025		2		H-53
W20025		2		W-53
W20168		2		W-115
W20168		2		H-145

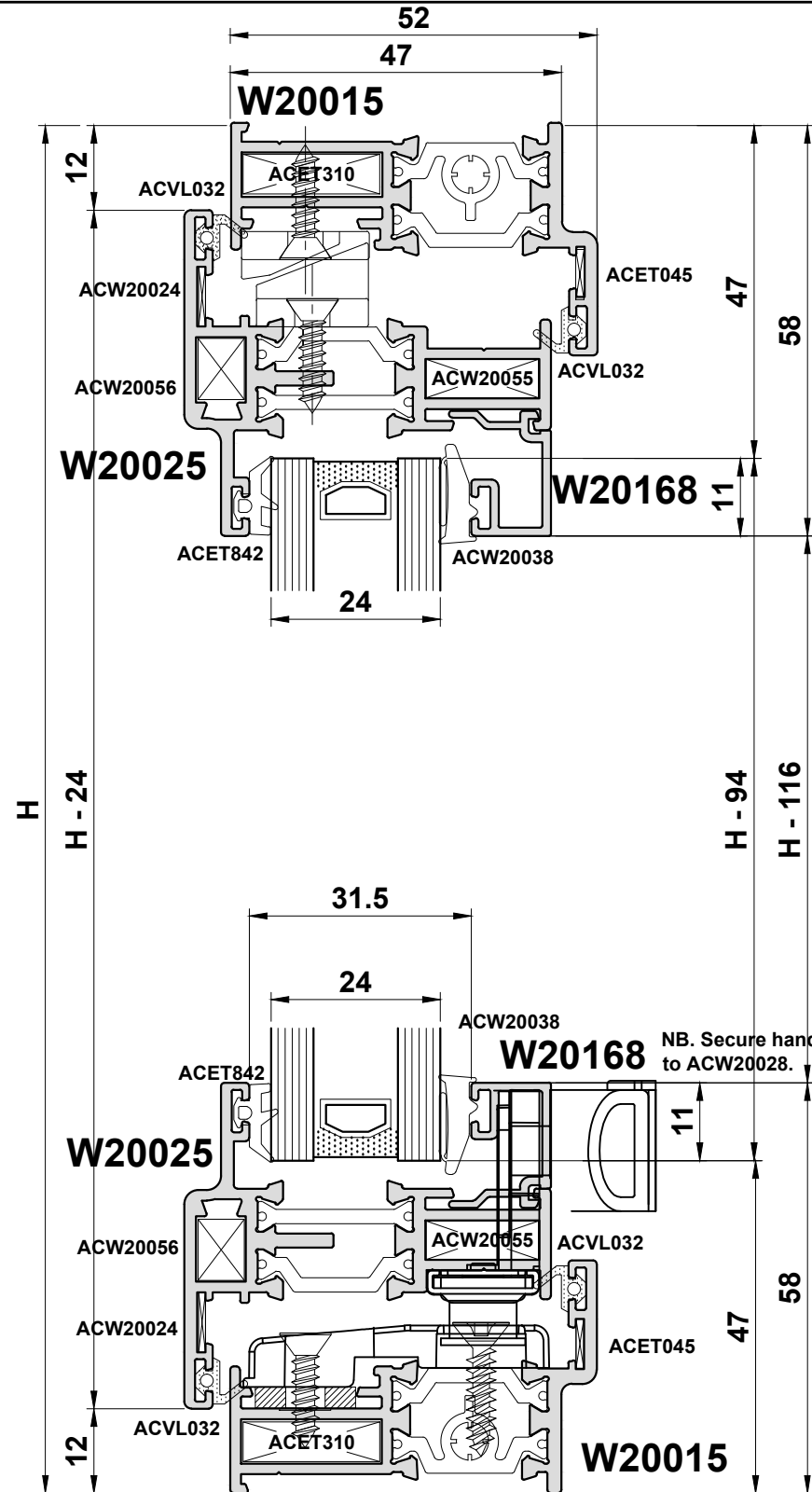
Accessories		
ACET045	4	Chevron
ACET165	1	Espag Locking Handle
ACET310	4	Cleat Outerframe
ACET352	2 Pairs	Pull-in Blocks
ACET380	1	Run-up Block
ACET394	8	Keep & Stay Packer
ACET513	1	Cavity Hinge Protector
ACET842	2(W+H)	Gasket E
ACGSL045	2	Drainage Cap
ACIN****	2	Friction Stay / Hinge
ACVL032	4(W+H)	Flipper Gasket
ACW20*	1	Reverse Locking Espag
ACW20024	4	Chevron
ACW20028	1	Handle Fixing Block
ACW20038	2(W+H)	Wedge Gasket
ACW20055	4	Cleat Ventframe
ACW20056	4	Cleat Ventframe
ACET313	2H + 2W	Outerframe Foam

Glass	
W - 123	
H - 123	



Do Not Scale From This Drawing

Cutting Information - Vent Frame using W20015 Outer Frame and W20025 Vent



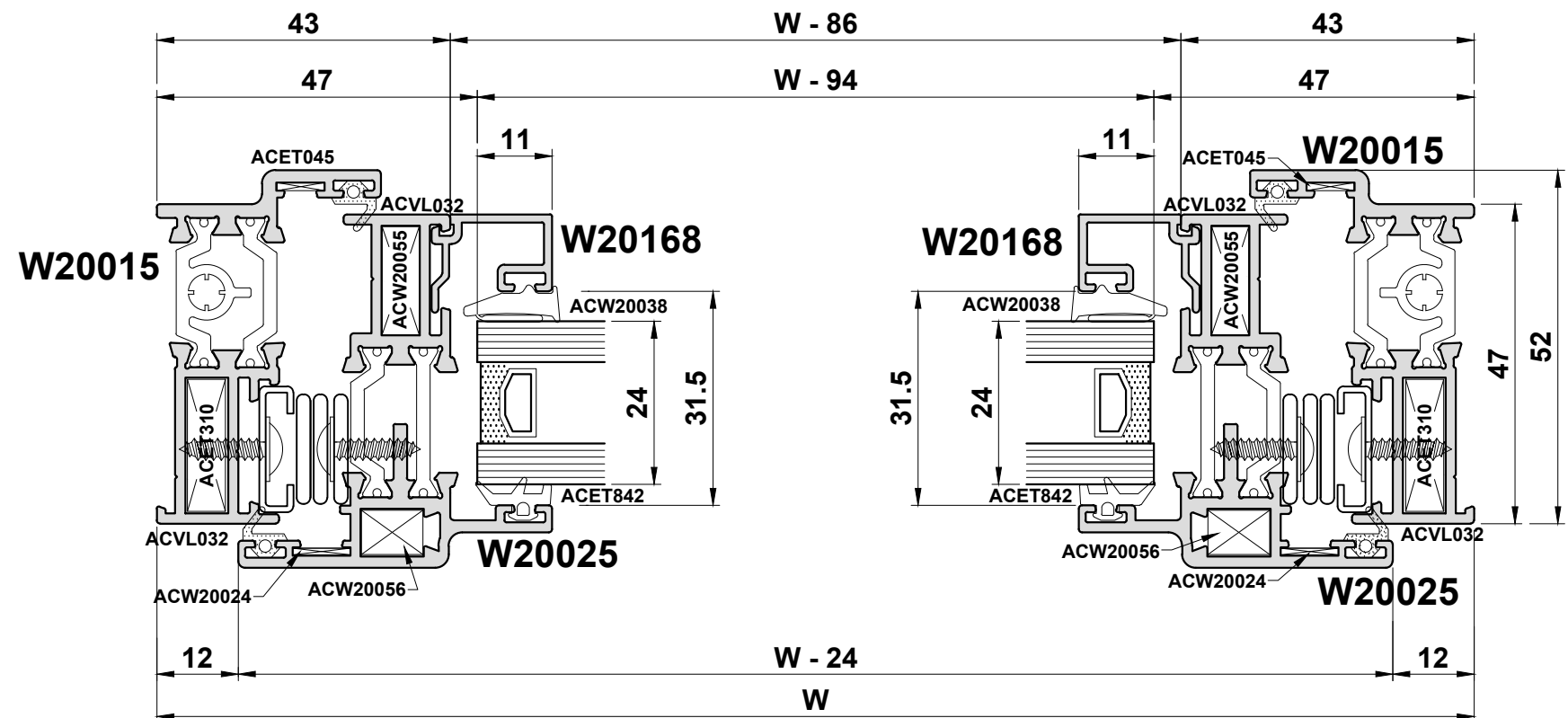
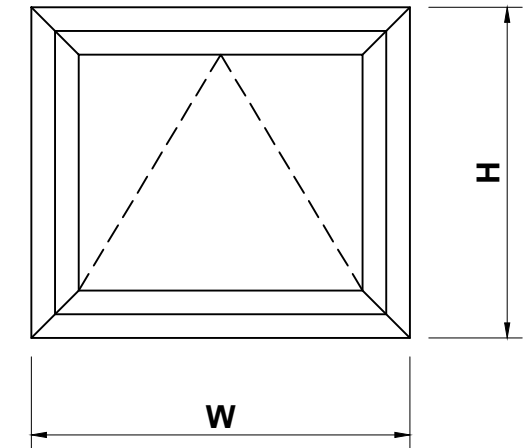
Sections

W20015		2		H
W20015		2		W
W20025		2		H-24
W20025		2		W-24
W20168		2		W-86
W20168		2		H-116

Accessories

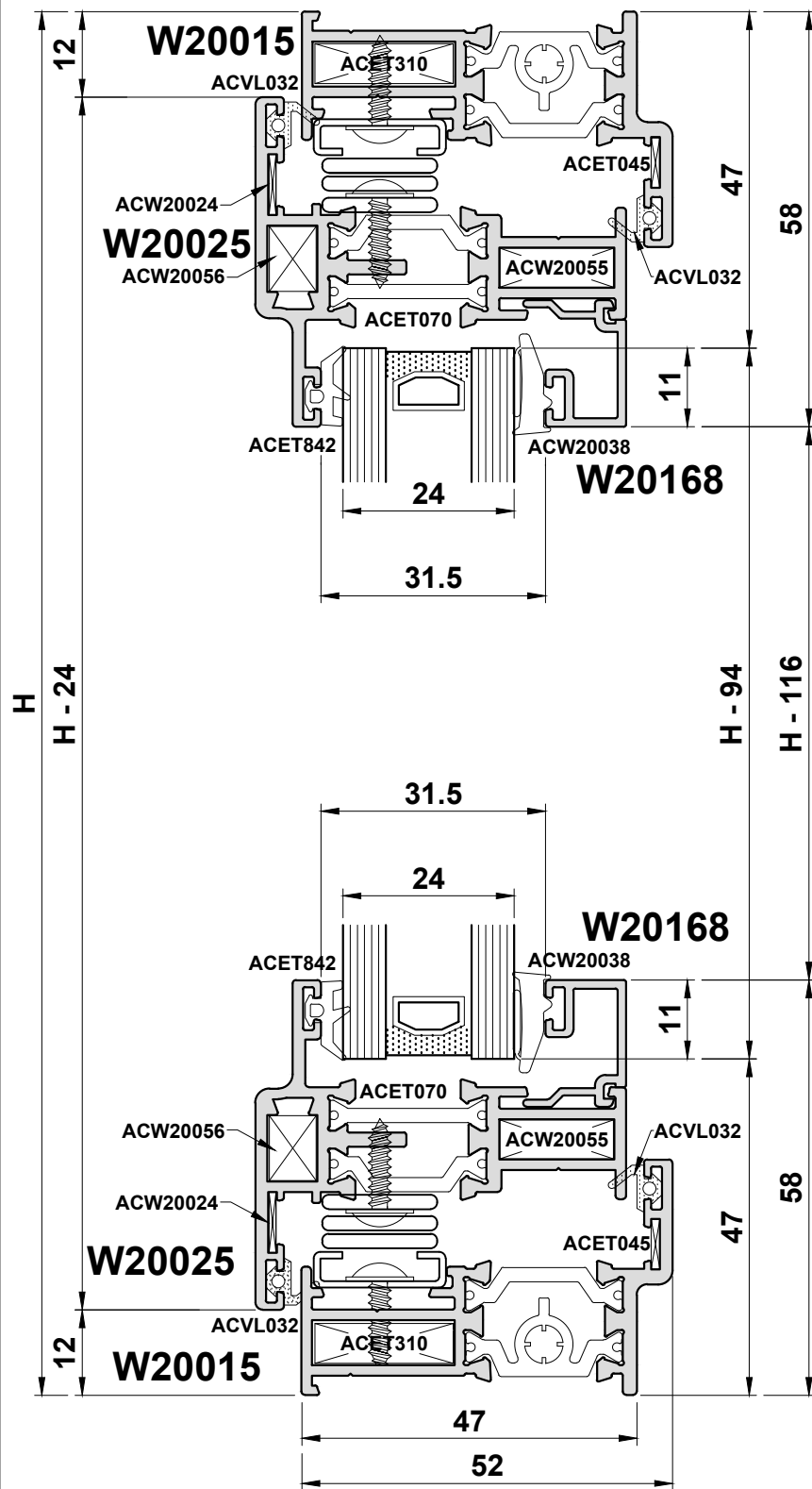
ACET045	4	Chevron
ACET165	1	Espag Locking Handle
ACET380	1	Run-up Block
ACET394	8	Keep & Stay Packer
ACET513	1	Cavity Hinge Protector
ACET842	2(W+H)	Gasket E
ACGSL045	2	Drainage Cap
ACIN****	2	Friction Stay / Hinge
ACVL032	4(W+H)	Flipper Gasket
ACW20*	1	Reverse Locking Espag
ACW20024	4	Chevron
ACW20028	1	Handle Fixing Block
ACW20038	2(W+H)	Wedge Gasket
ACW20055	4	Cleat Ventframe
ACW20056	4	Cleat Ventframe
ACET310	4	Cleat Outerframe

Glass
W - 94
H - 94



Do Not Scale From This Drawing

Cutting Information - Opening Vent adjacent to Fixed Light



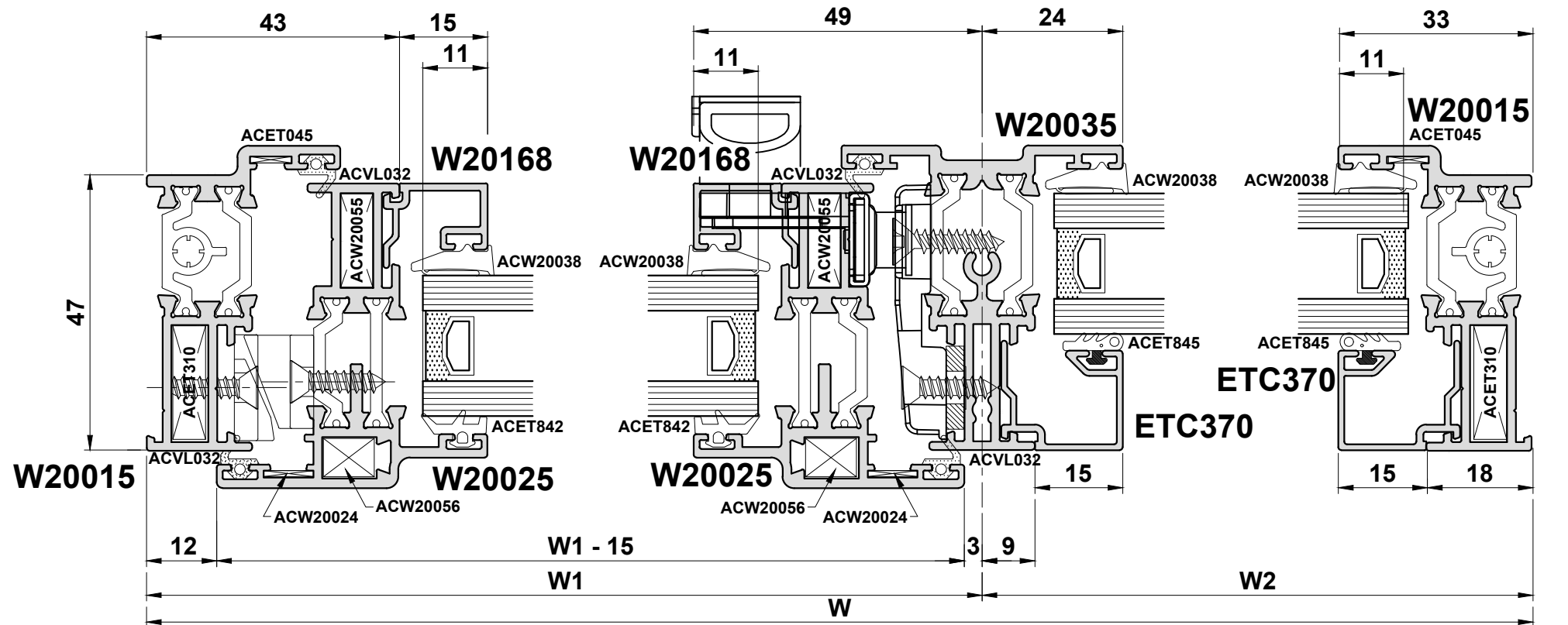
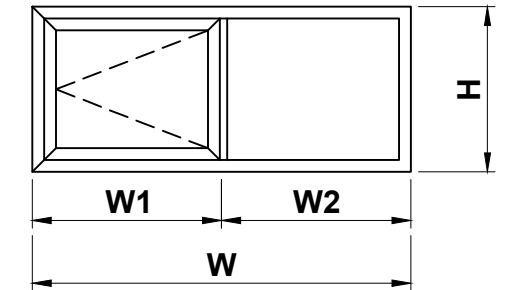
Profiles

W20015		2		H
W20015		2		W
W20025		2		H - 24
W20025		2		W1 - 15
W20035		1		H - 36
W20168		2		H - 116
ETC370		2		H - 66
W20168		2		W1 - 77
ETC370		2		W2 - 27

Accessories

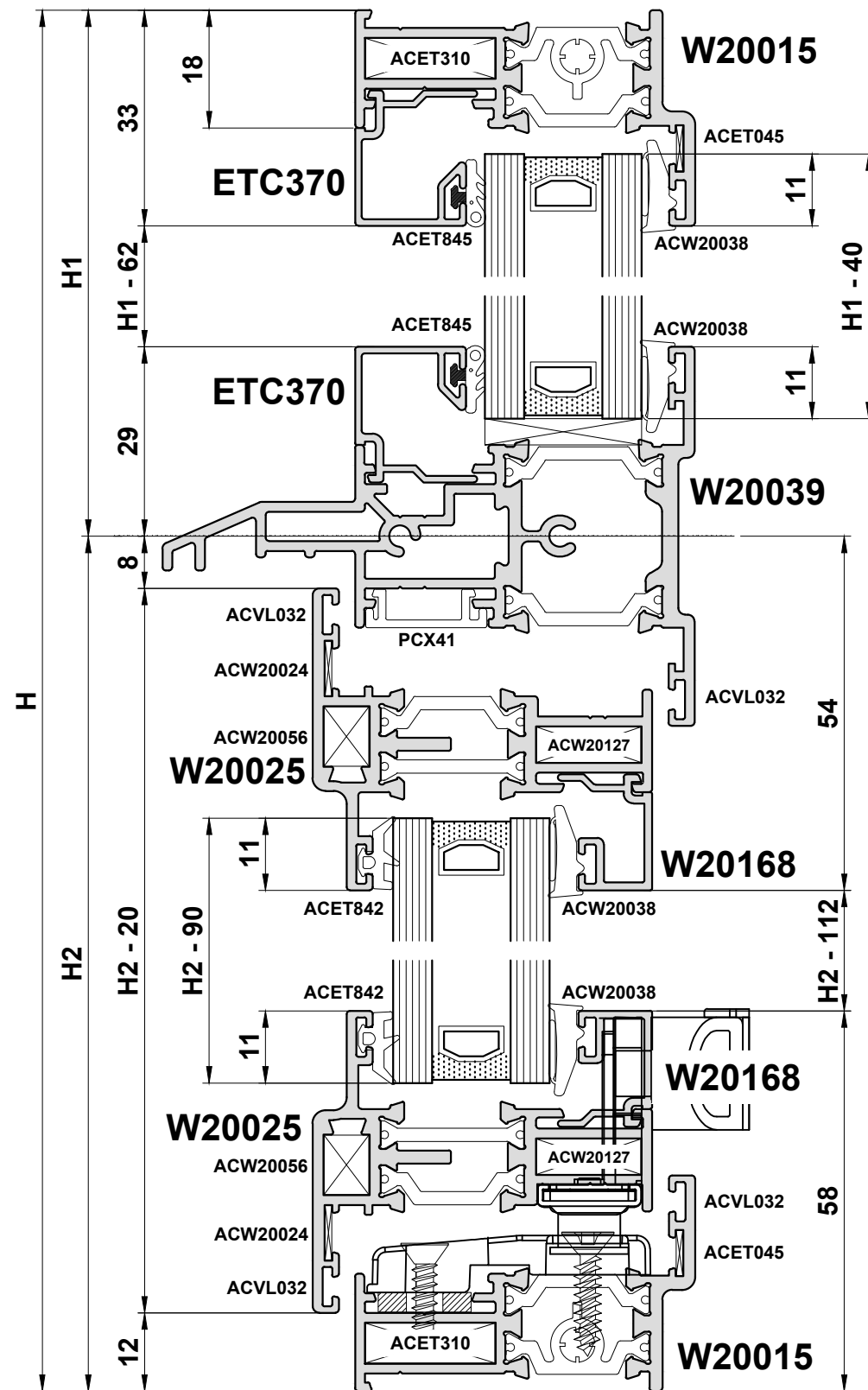
ACET045	4	Chevron
ACET114	2	Anti-Twist Clip
ACET165	1	Espag Locking Handle
ACET310	4	Cleat Outerframe
ACET352	2 Pairs	Pull-in Blocks
ACET380	1	Run-up Block
ACET845	2H + 2W2	Gasket E
ACGSL045	2	Drainage Cap
ACVL032	4(H)	Flipper Gasket
ACVL032	2(W)	Flipper Gasket
ACW20*	1	Reverse Locking Espag
ACW20024	4	Chevron
ACW20028	1	Handle Fixing Block
ACW20038	4H + 2W	Wedge Gasket
ACW20055	4	Cleat Ventframe
ACW20056	4	Cleat Ventframe
ACIN***	2	Friction Stays

Glass	
W1 - 85 x H - 94	
W2 - 35 x H - 44	



Do Not Scale From This Drawing

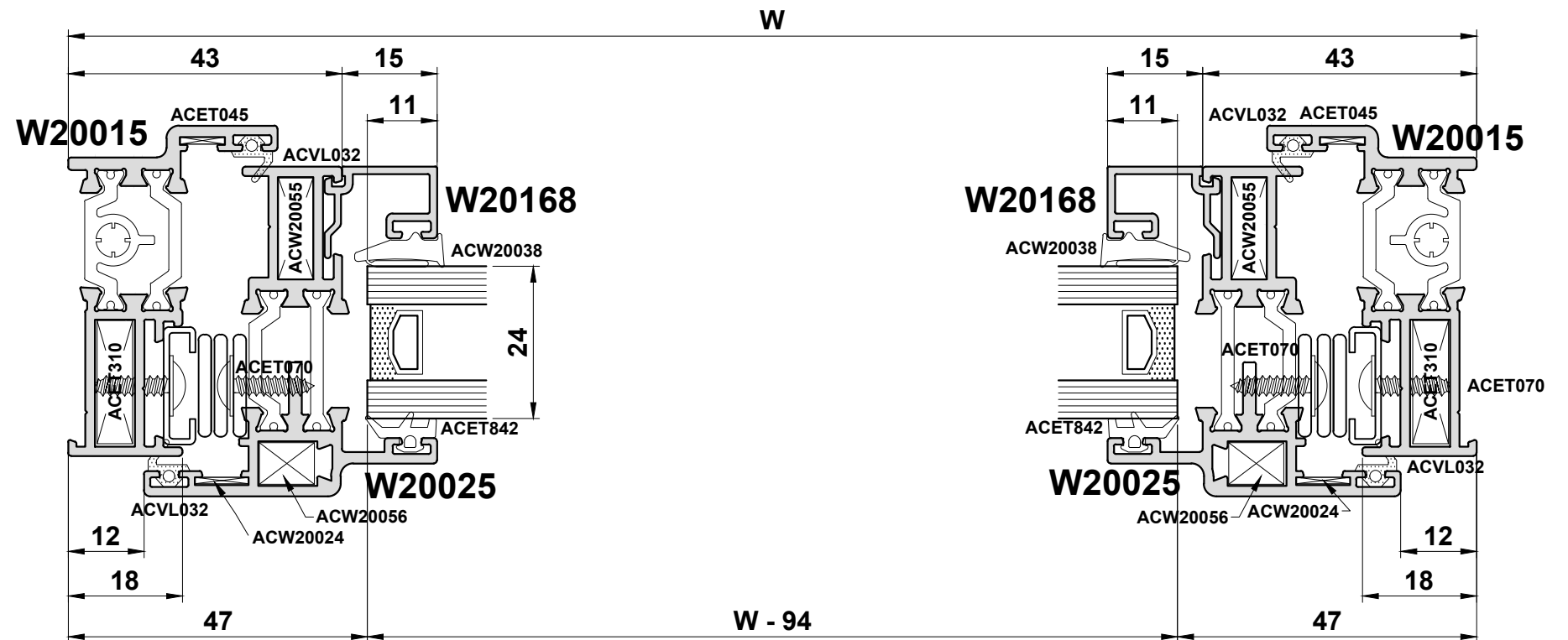
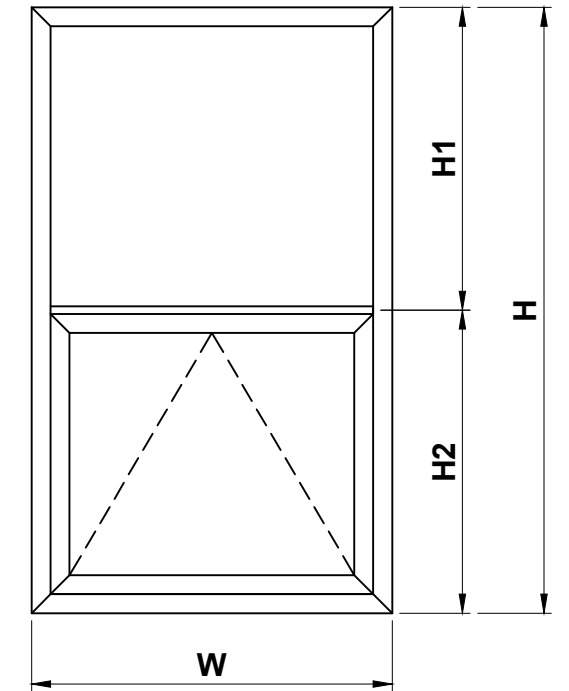
Cutting Information - Fixed Light over Vent



Profiles				
W20015		2		H
W20015		2		W
W20025		2		W - 24
W20025		2		H2 - 20
W20035		1		W - 36
W20168		2		W - 86
ETC370		2		W - 36
W20168		2		H1 - 112
ETC370		2		H2 - 62

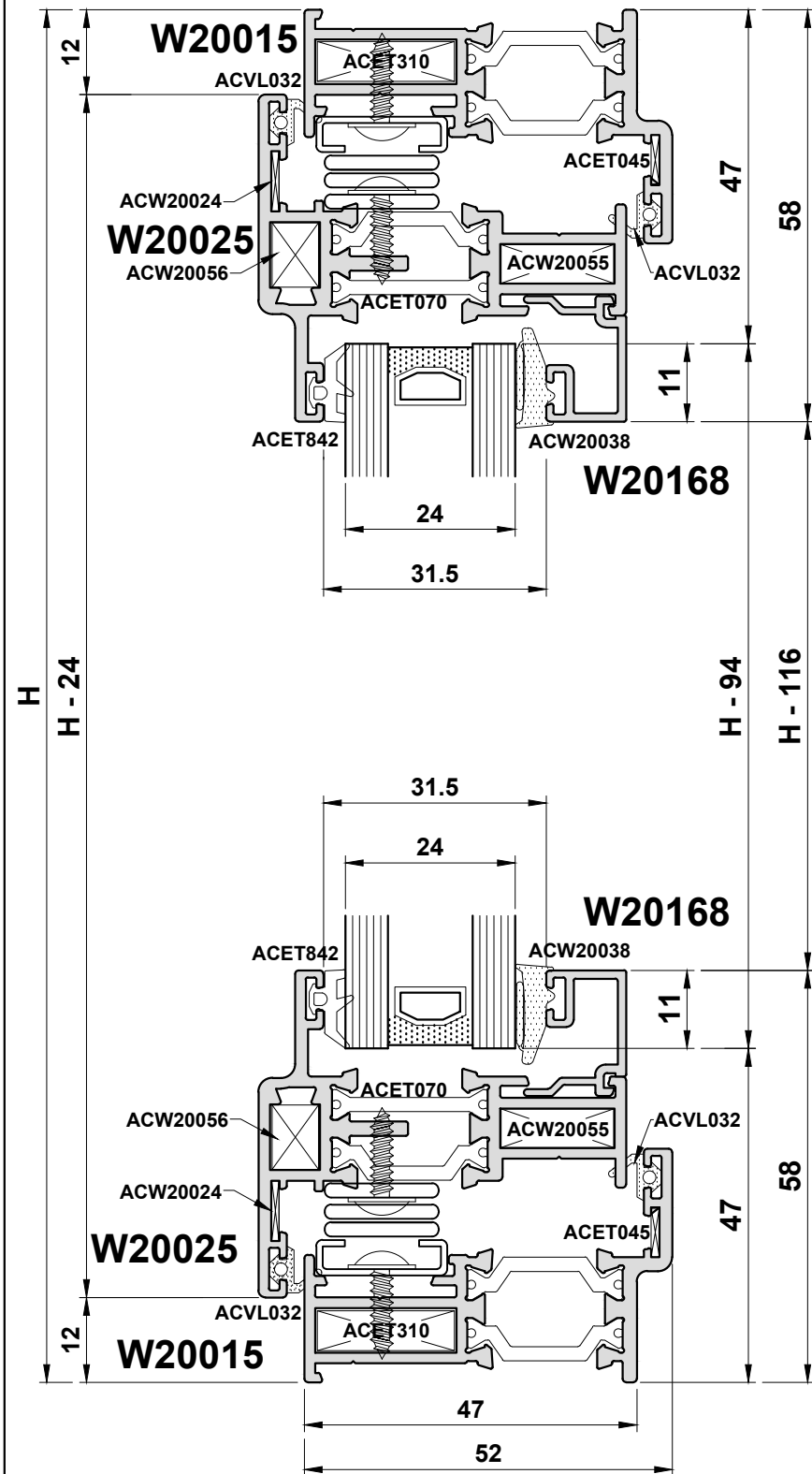
Glass	
W - 44 x H1 - 40	
W - 94 x H2 - 90	

Accessories		
ACET045	4	Chevron
ACET114	2	Anti-Twist Clip
ACET165	1	Espag Locking Handle
ACET310	4	Cleat Outerframe
ACET334	2	PVC Transom Loc. Block
ACET352	2 Pairs	Pull-in Blocks (Optional)
ACET380	2	Run-up Block
ACET845	4H + 2W	Gasket E
ACGSL045	2	Drainage Cap
ACVL032	4(H)	Flipper Gasket
ACVL032	4(W)	Flipper Gasket
ACW20*	1	Reverse Locking Espag
ACW20024	4	Chevron
ACW20028	1	Handle Fixing Block
ACW20038	4H + 2W	Wedge Gasket
ACW20055	4	Cleat Ventframe
ACW20056	4	Cleat Ventframe
ACIN***	2	Friction Stays
ACW20039	1 Pair	W20039 End Caps



Do Not Scale From This Drawing

Cutting Information - Opening Vent adjacent to Opening Vent



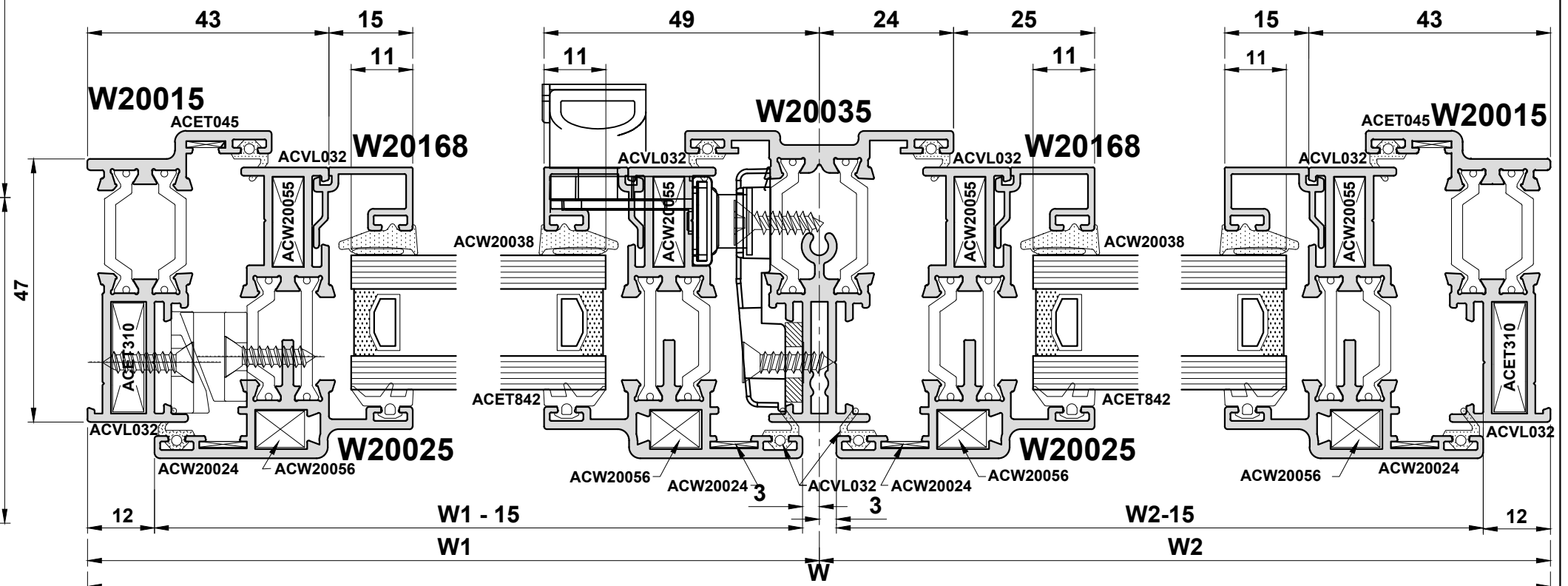
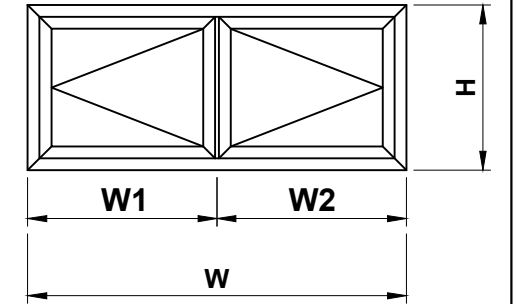
Profiles

W20015		2		H
W20015		2		W
W20025		4		H - 24
W20025		2		W1 - 15
W20025		2		W2 - 15
W20035		1		H - 36
W20168		4		H - 116
W20168		2		W1 - 77
W20168		2		W2 - 77

Accessories

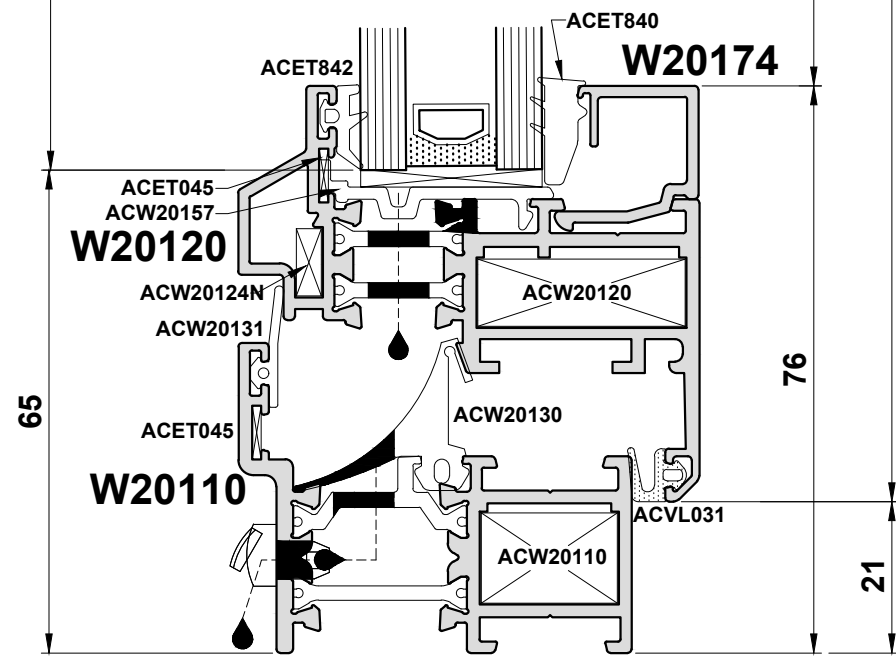
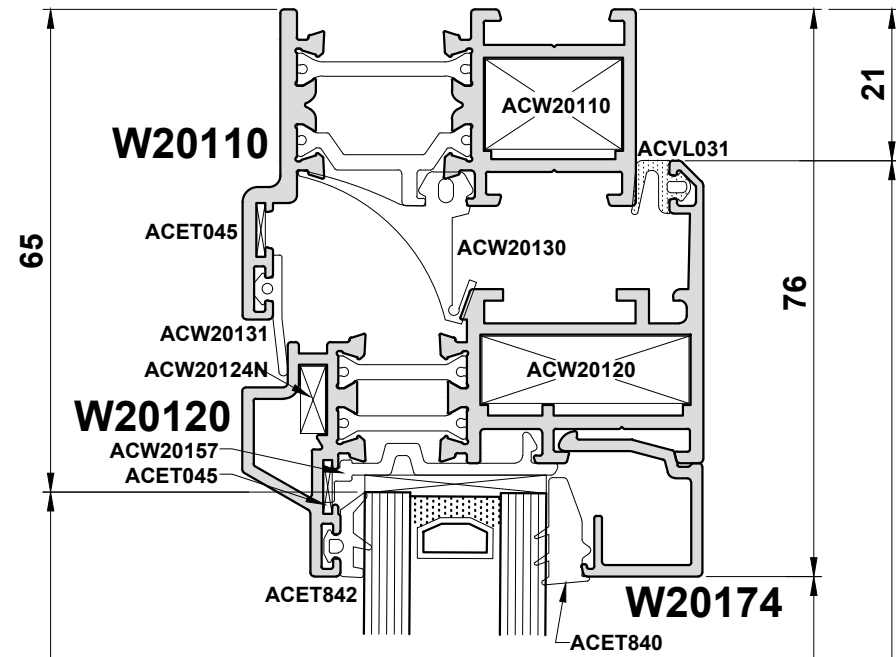
ACET045	4	Chevron
ACET114	2	Anti-Twist Clip
ACET165	2	Espag Locking Handle
ACET310	4	Cleat Outerframe
ACET352	4 Pairs	Pull-in Blocks
ACET380	2	Run-up Block
ACGSL045	2	Drainage Cap
ACVL032	4(H)	Flipper Gasket
ACVL032	4(W)	Flipper Gasket
ACW20*	2	Reverse Locking Espag
ACW20024	8	Chevron
ACW20028	2	Handle Fixing Block
ACW20038	4H + 2W	Wedge Gasket
ACW20055	8	Cleat Ventframe
ACW20056	8	Cleat Ventframe
ACIN***	2	Friction Stays (Pairs)

Glass	
W1	85 x H - 94
W2	85 x H - 94



Do Not Scale From This Drawing

Cutting Information - Tilt & Turn

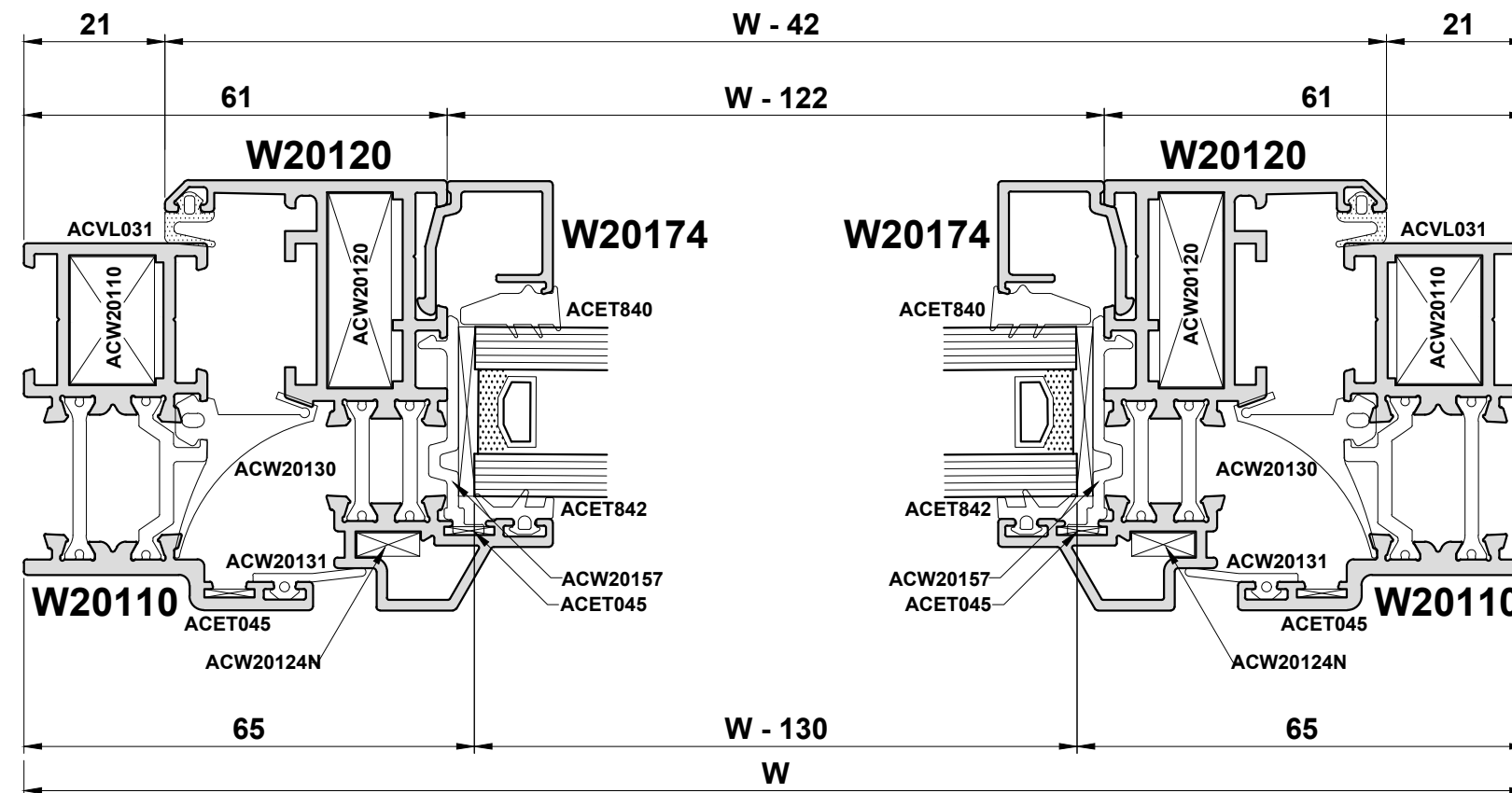
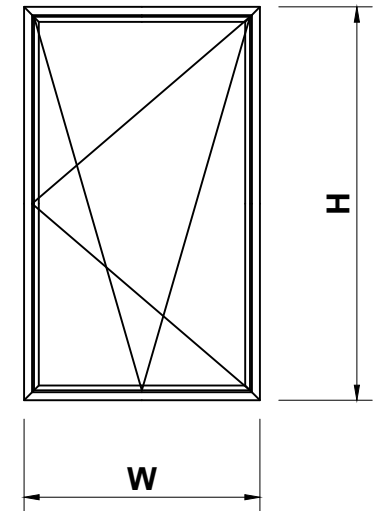


Sections				
W20110		2		H
W20110		2		W
W20120		2		H-42
W20120		2		W-42
W20174		2		W-122
W20174		2		W-152

Accessories		
ACET045	8	Chevron
ACET840	2(W+H)	Wedge Gasket
ACET842	2(W+H)	Gasket E
ACGSL045	2	Drainage Cap
ACW20110	4	Outer Frame Cleat
ACW20120	4	Inner Sash Cleat
ACW20124N	4	Outer Sash Cleat
ACW20131	2(W+H)	External Outer Frame Gasket
ACW20133	4	Corner Moulding
ACW20157	6	Bridge Packer
ACVL031	2(W+H)	Flipper Gasket
ACW20130	2(W+H)	Flipper Gasket

Glass	
W - 130	
H - 130	

Please refer to the SB Chrono or Fapim manual for tilt & turn hardware



Do Not Scale From This Drawing

Cutting Information - Open Out Single Door

Profiles

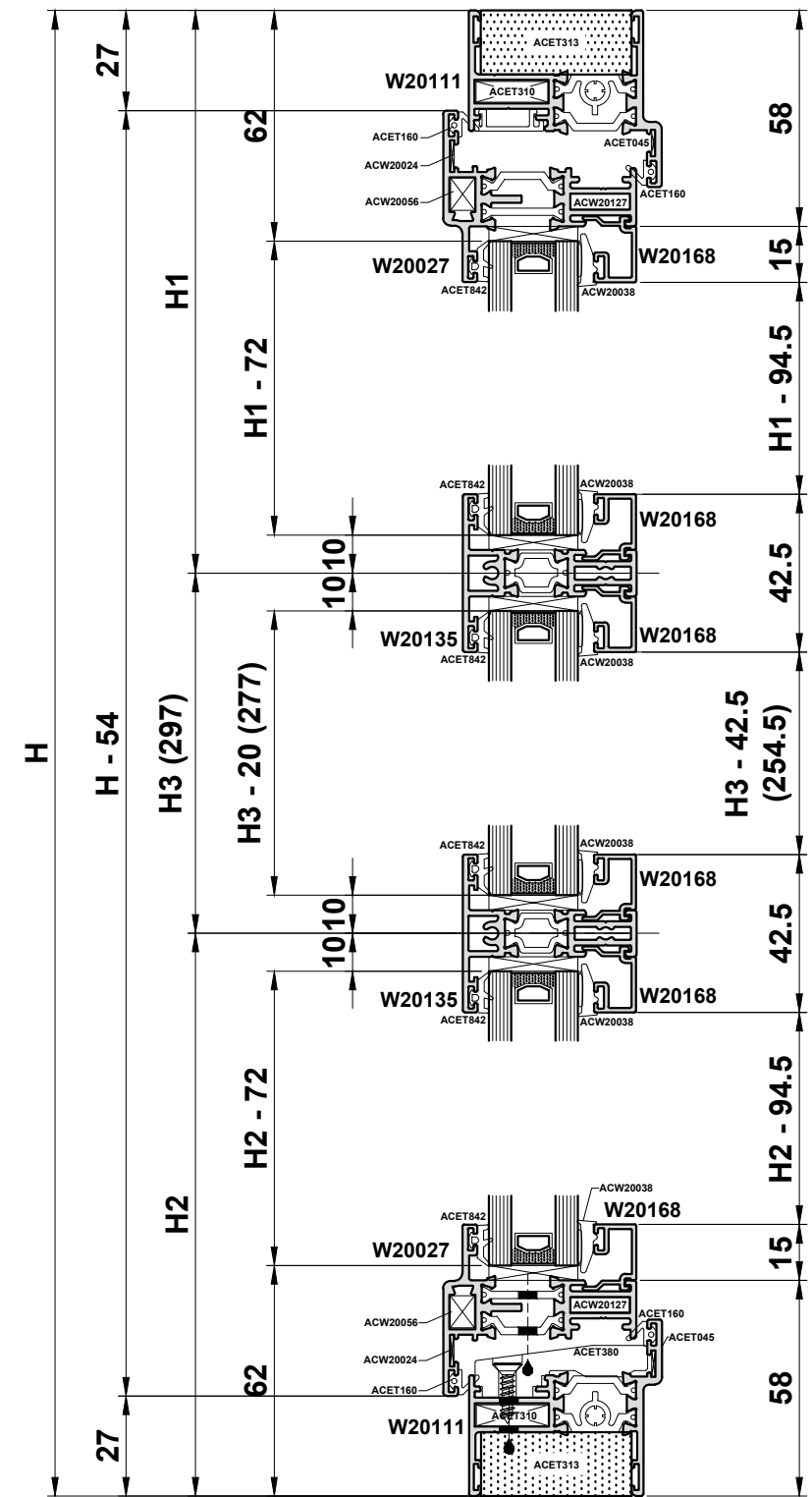
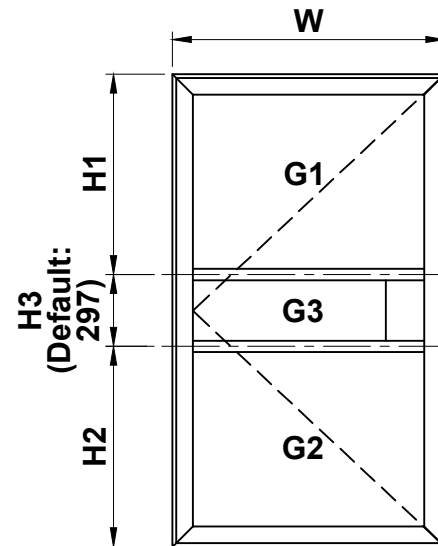
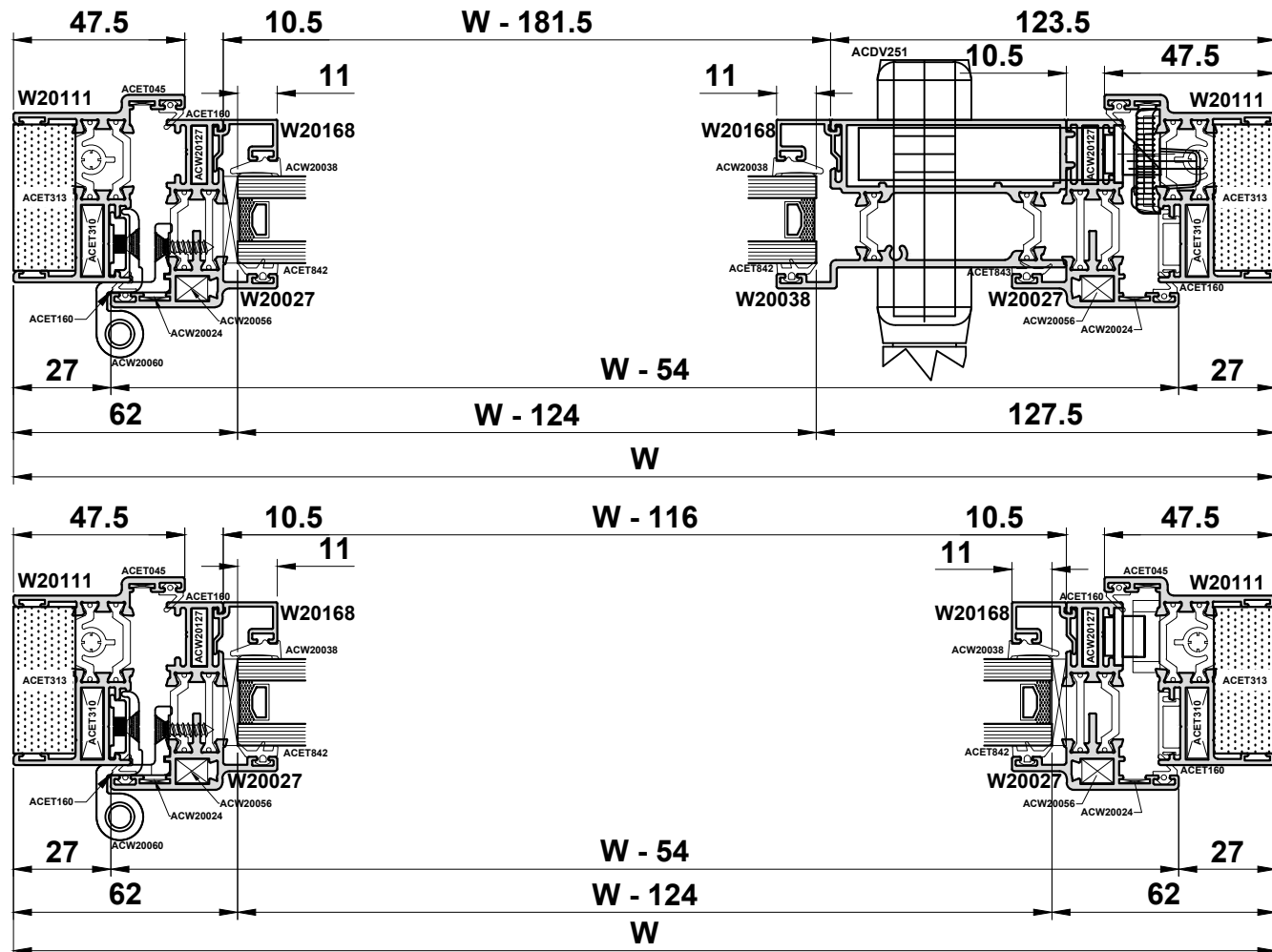
W20111		2		H
W20111		2		W
W20027		2		W - 54
W20027		2		H - 54
W20135		2		W - 116
W20038		1		285
W20168		4		W - 116
W20168		2		W - 181.5
W20168		2		H1 - 94.5
W20168		2		H2 - 94.5
W20168		2		H3 - 42.5
PCX41		2		H - 54
PCX41		1		W - 54

Accessories

ACET045	S/S Chevron	4	ACW20066L/R	Centre Keep	1
ACET066	Transom/Mullion Screw	10	ACW20067	Roller Keeps	4
ACET067	S/S CSK S/T Screw	15	ACW20058	Cylinder	1
ACET160	Outer Frame Seal	2 x (W-60) + 2 x (H-60)	ACW20127	Vent Frame Cleats	4
ACET160	Vent Frame Seal	2 x (W-25) + 2 x (H-25)	ACET313	Outerframe Foam	2H + 2W
ACET310	Outer Frame Cleats	4			
ACET380	Run-Out Block	1			
ACET390	Polyamide Screw	8			
ACET842	E Gasket	6x(W-95) + 2x(H-95)			
ACGSL045	Drainage Cap	2			
ACW20024	S/S Chevron	4			
ACW20038	Wedge Gasket	6x(W-95) + 2x(H-95)			
ACW20056	Vent Frame Cleats	4			
ACW20060	Butt Hinge	4			
ACW20061	Door Handle	1 Pair			
ACW20065	Multi-Point Lock	1			

Glass

G1	1 x	W - 124 x H1 - 72
G2	1 x	W - 124 x H2 - 72
G3	1 x	W - 124 x H3 - 20



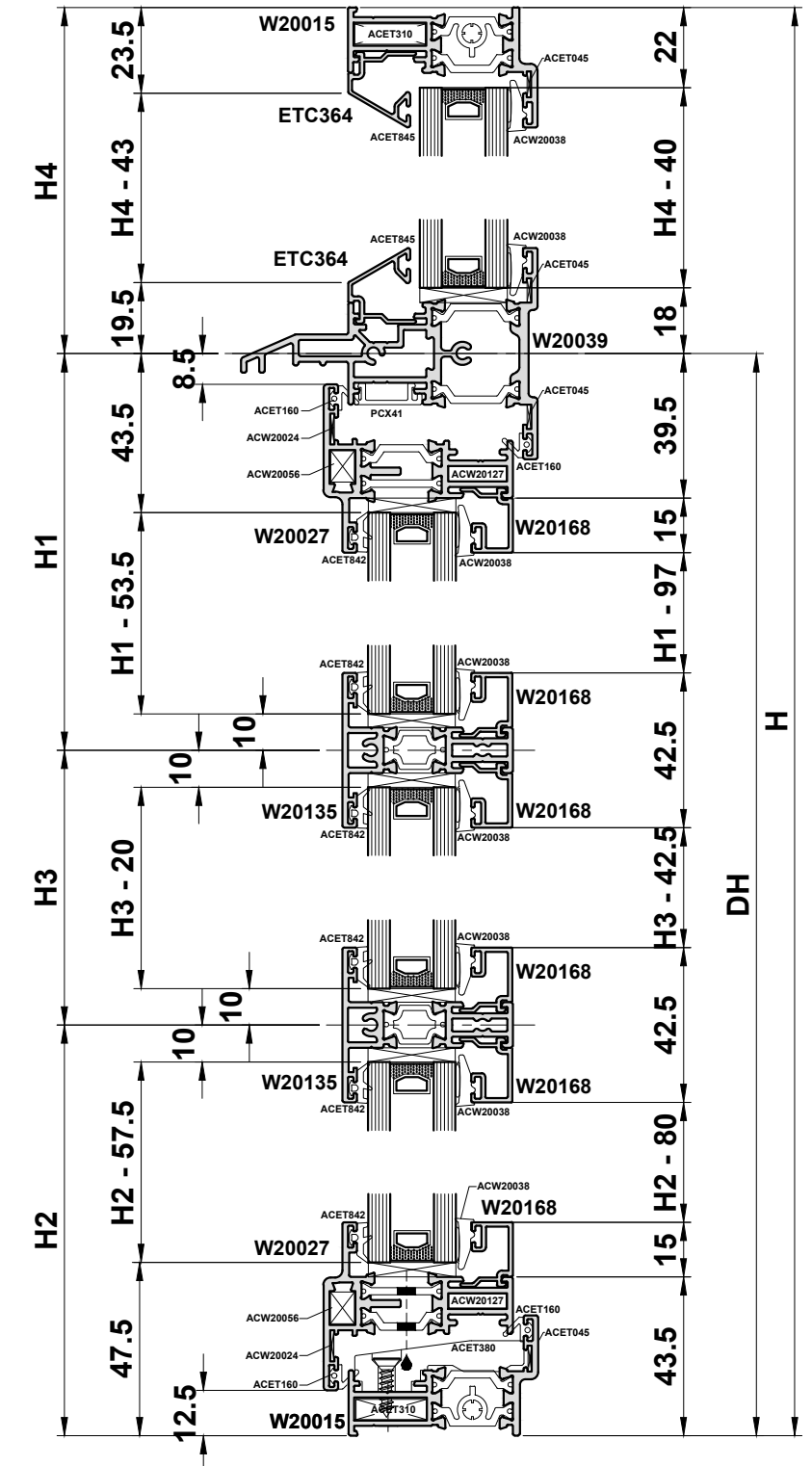
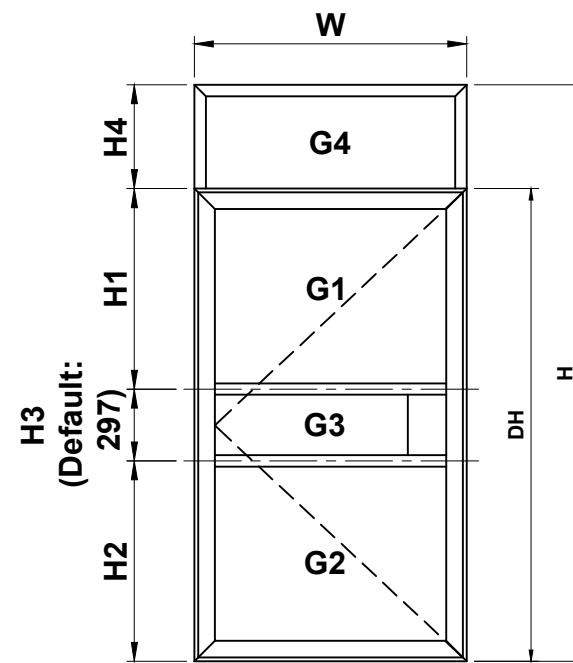
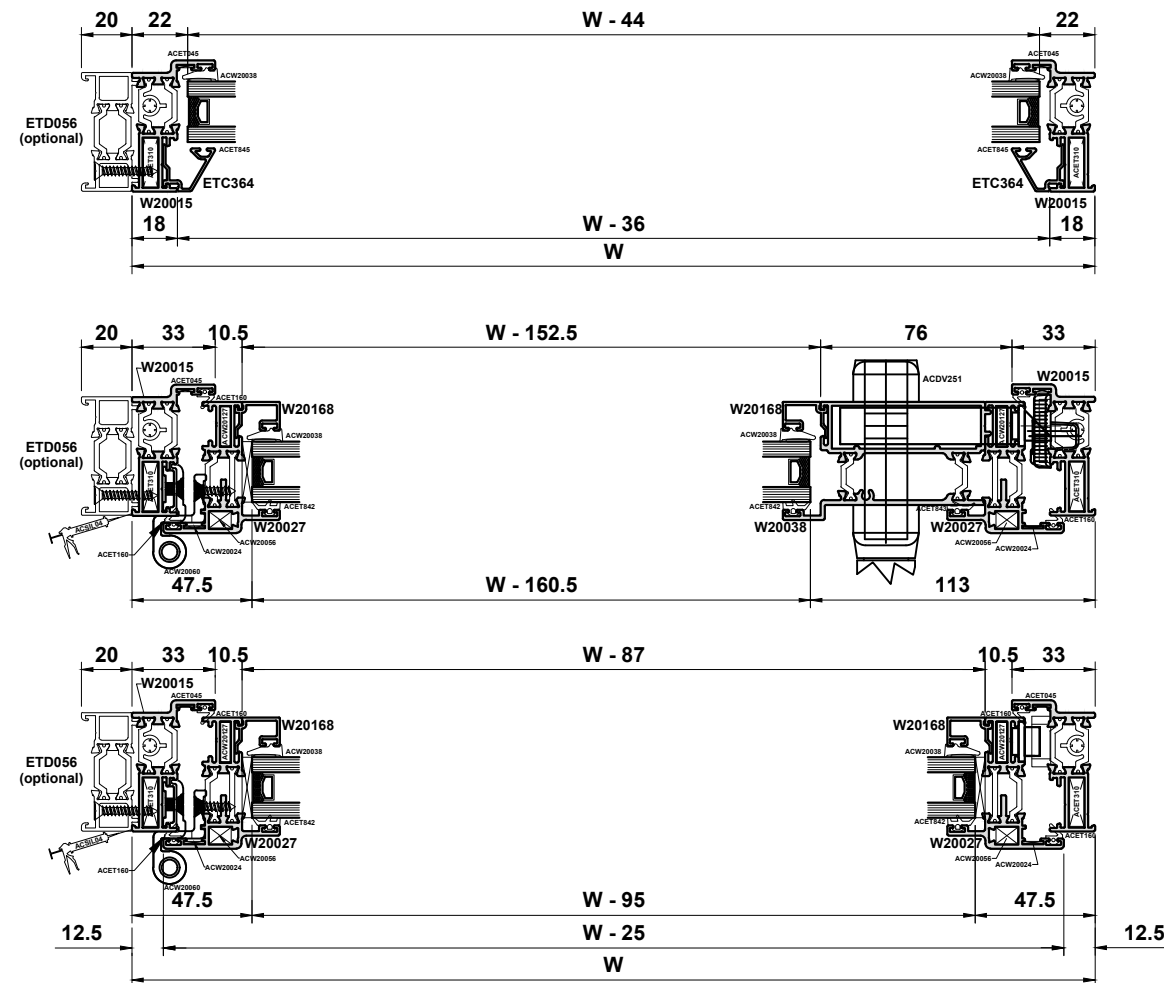
Do Not Scale From This Drawing

Cutting Information - Open Out Single Door

Profiles			
W20015		2	H
W20015		2	W
W20027		2	W - 25
W20027		2	DH - 21
W20135		2	W - 87
W20038		1	285
W20168		4	W - 87
W20168		2	W - 152.5
W20168		2	H1 - 80
W20168		2	H2 - 80
W20168		2	H3 - 43
W20039		1	W - 36
ETC364		2	W - 36
ETC364		2	H4 - 43
PCX41		1	W - 36
PCX41		2	DH

Accessories					
ACET045	S/S Chevron	4	ACW20066L/R	Centre Keep	1
ACET066	Transom/Mullion Screw	14	ACW20067	Roller Keeps	4
ACET067	S/S CSK S/T Screw	15	ACW20058	Cylinder	1
ACET160	Outer Frame Seal	2 x (W-60) + 2 x (H-60)	ACW20127	Vent Frame Cleats	4
ACET160	Vent Frame Seal	2 x (W-25) + 2 x (H-25)	ACET845	Low Line Gasket	2W + 2H4
ACET310	Outer Frame Cleats	4			
ACET380	Run-Out Block	1			
ACET390	Polyamide Screw	8			
ACET842	E Gasket	6x(W-95) + 2x(H-95)			
ACGSL045	Drainage Cap	2			
ACW20024	S/S Chevron	4			
ACW20038	Wedge Gasket	6x(W-95) + 2x(H-95)			
ACW20056	Vent Frame Cleats	4			
ACW20060	Butt Hinge	4			
ACW20061	Door Handle	1 Pair			
ACW20065	Multi-Point Lock	1			

Glass			
G1	1 x	W - 95 x H1 - 57.5	
G2	1 x	W - 95 x H2 - 57.5	
G3	1 x	W - 160.5 x H3 - 20	
G4	1 x	W - 44 x H4 - 40	

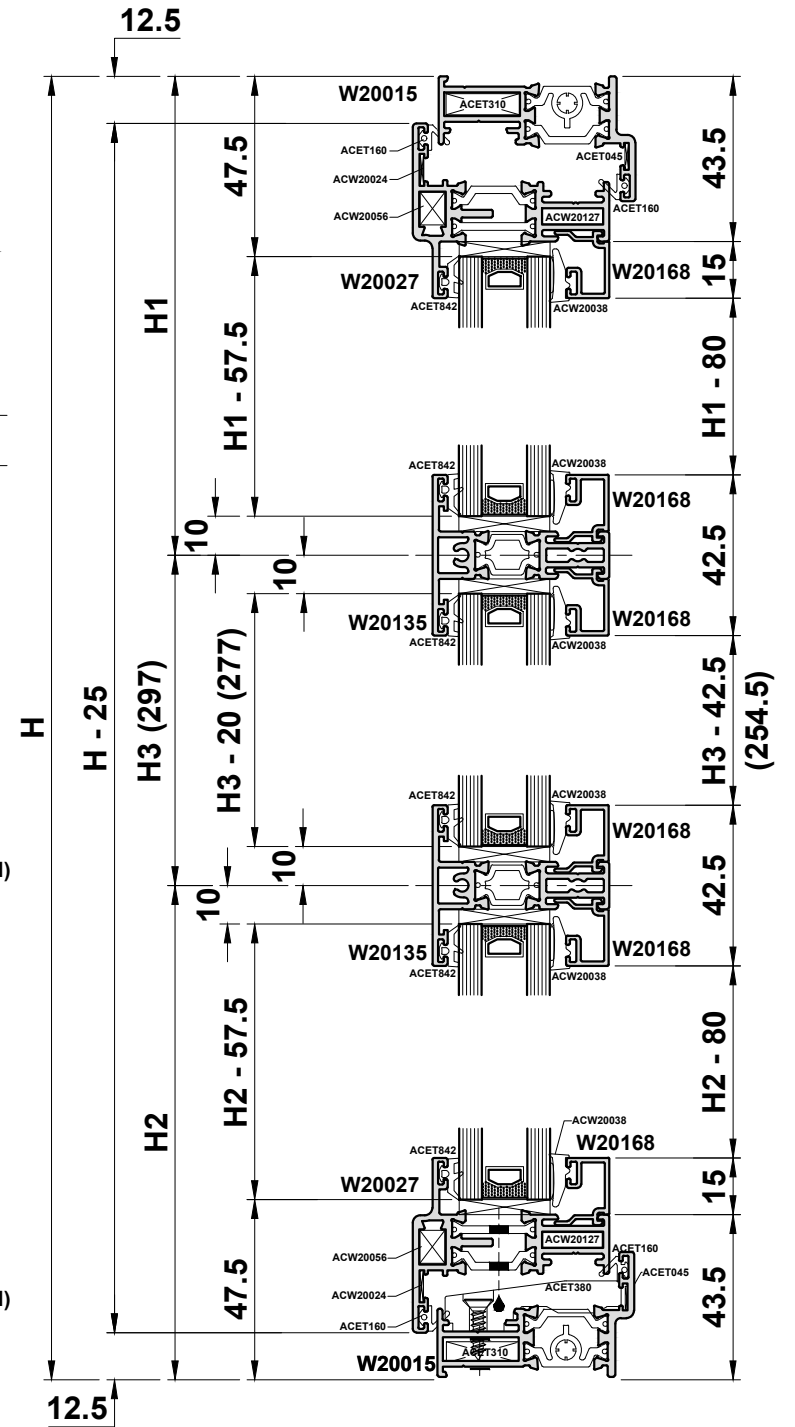
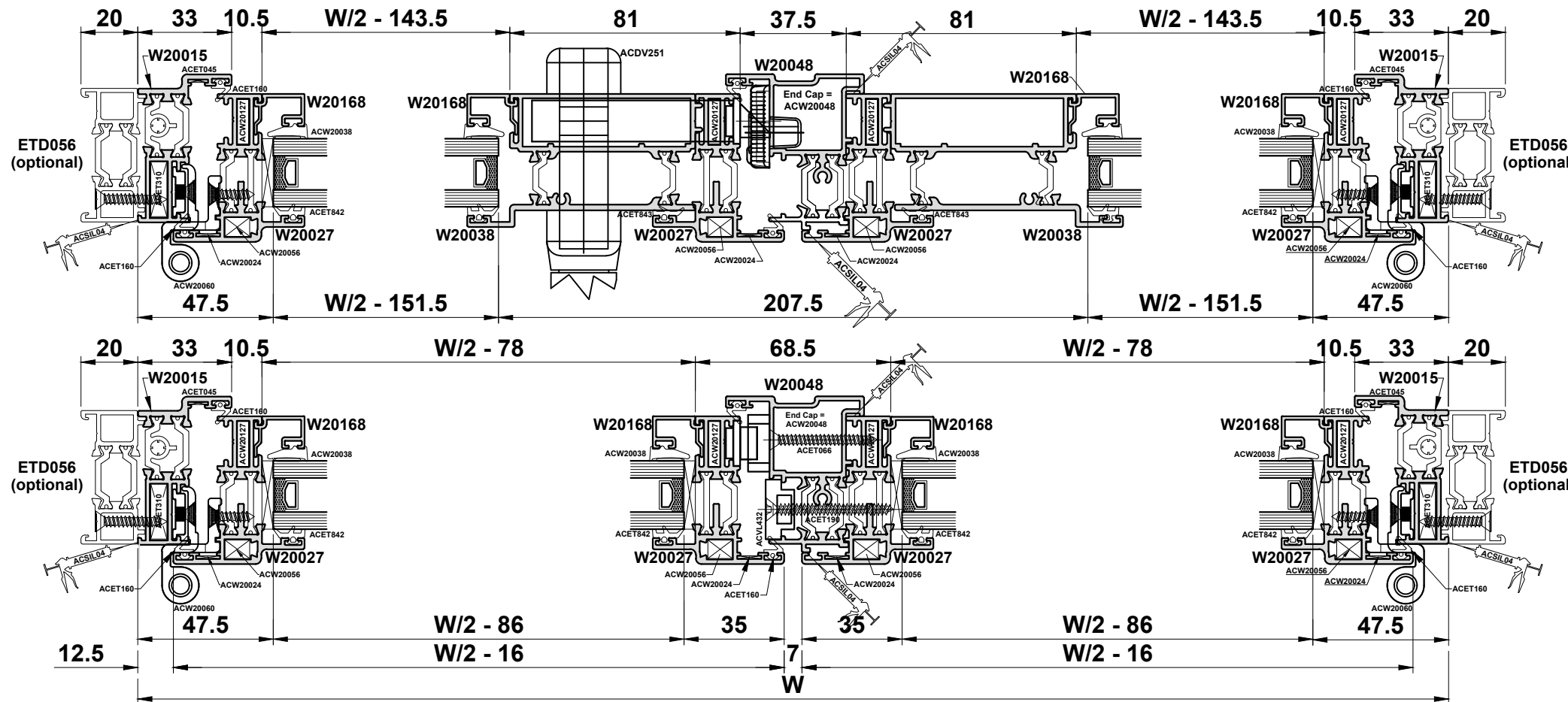
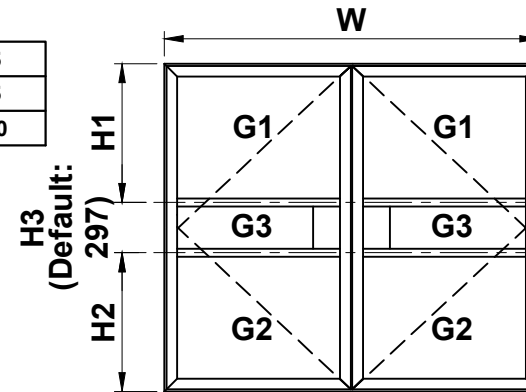


Cutting Information - Open Out Double Door

Profiles			
W20015		2	H
W20015		2	W
W20027		4	W/2 - 16
W20027		4	H - 25
W20037		4	W/2 - 78
W20038		2	285
W20048		1	H - 54
W20168		8	W/2 - 78
W20168		4	W/2 - 152.5
W20168		4	H1 - 80
W20168		4	H2 - 80
W20168		4	H3 - 43
PCX41		3	H - 36
PCX41		1	W - 36

Accessories					
ACET045	Chevrons	4	ACW20067	Roller Keeps	4
ACET066	Transom/Mullion Screw	20	ACVL432	Shootbolt	2
ACET067	S/S CSK S/T Screw	15	ACW20127	Vent Frame Cleats	8
ACET160	Outer Frame Seal	2 x (W-60) + 4 x (H-60)	ACW20432	Shoot Bolt Keeps	2
ACET160	Vent Frame Seal	4 x (W/2-16) + 2 x (H-25)	ACET843	Seal	H3 x 2
ACET310	Outer Frame Cleats	4	ACW20060	Hinges	8
ACET380	Run up Block	2			
ACET390	Polyamide Screw	8			
ACET842	E Gasket	6x(W/2-85) + 4x(H-95)			
ACGSL045	Drainage Caps	2			
ACW20024	Chevrons	8			
ACW20038	Wedge Gasket	6x(W/2-85) + 4x(H-95)			
ACW20048	W20048 End Cap	1 Pair			
ACW20056	Vent Frame Cleats	8			
ACW20058	Cylinder	1			
ACW20061	Door Handle	1 Pair			
ACW20065	Multi-Point Lock	1			
ACW20066L/R	Centre Keep	1			

Glass			
G1	2 x	W/2 - 86 x H1 - 57.5	
G2	2 x	W/2 - 86 x H2 - 57.5	
G3	2 x	W/2 - 151.5 x H3 - 20	



Do Not Scale From This Drawing

Cutting Information - Open In Single Door

Profiles

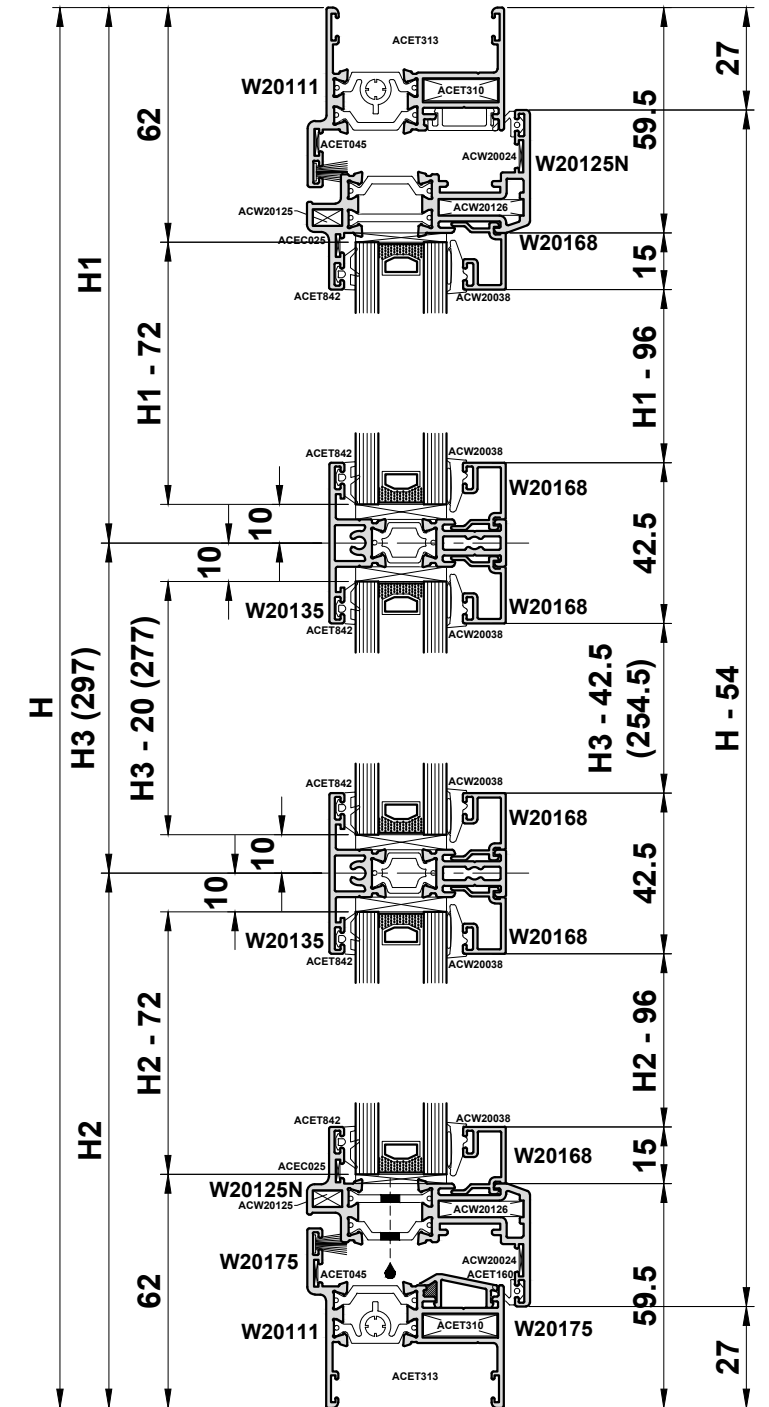
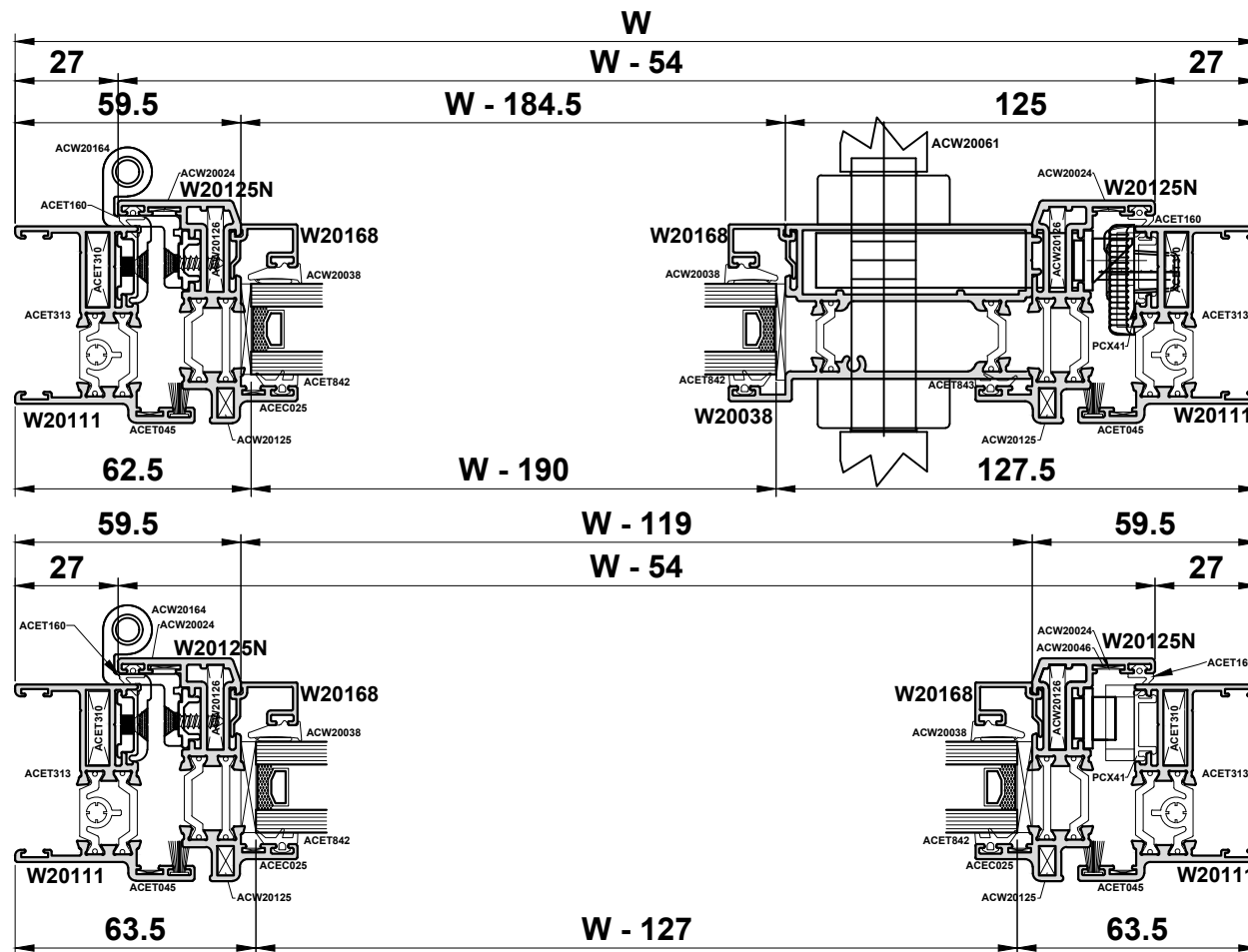
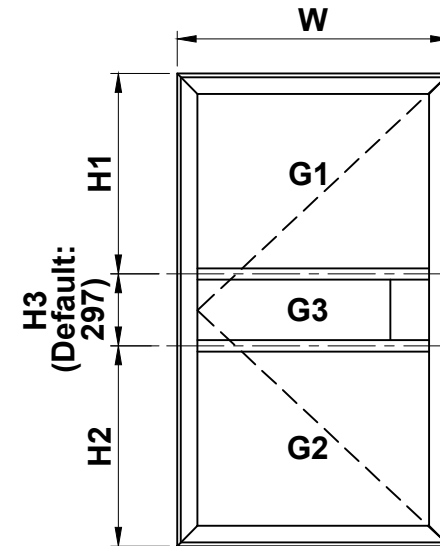
W20111		2		H
W20111		2		W
W20125N		2		W - 54
W20125N		2		H - 54
W20135		2		W - 119
W20038		1		285
W20168		4		W - 119
W20168		2		W - 184.5
W20168		2		H1 - 96
W20168		2		H2 - 96
W20168		2		H3 - 42.5
W20175		1		W - 59
PCX41		1		1xW & 2xH

Glass

G1	1 x	W - 127 x H1 - 96
G2	1 x	W - 127 x H2 - 96
G3	1 x	W - 190 x H3 - 20

Accessories

ACEC025	Chevrons	2	ACW20166L/R	Centre Keep	1
ACET045	Chevrons	2	ACET067	S/S CSK S/T Screw	15
ACET066	Transom/Mullion Screw	6	ACET390	Polyamide Screw	8
ACET160	Vent Frame Seal	2 x (W-25) + 2 x (H-25)	ACW20058	Cylinder	1
ACET310	Outer Frame Cleats	4	ACW20061	Door Handle	1 Pair
ACET380	Run-Out Block	2	ACET313	Outerframe Foam	2H + 2W
ACET842	E Gasket	6x(W-95) + 2x(H-95)	ACET843	Seal	H3
ACGSL045	Drainage Cap	2			
ACVS033	Outer Frame Seal	2 x (W-60) + 2 x (H-60)			
ACW20024	Chevrons	4			
ACW20038	Wedge Gasket	6x(W-95) + 2x(H-95)			
ACW20056	Vent Frame Cleats	4			
ACW20164	Hinges	4			
ACW20065	Multi-Point Lock	1			
ACW20067	Roller Keeps	4			
ACW20125	Vent Frame Cleats	4			
ACW20126	Vent Frame Cleats	8			



Do Not Scale From This Drawing

Cutting Information - Open In Double Door

Profiles

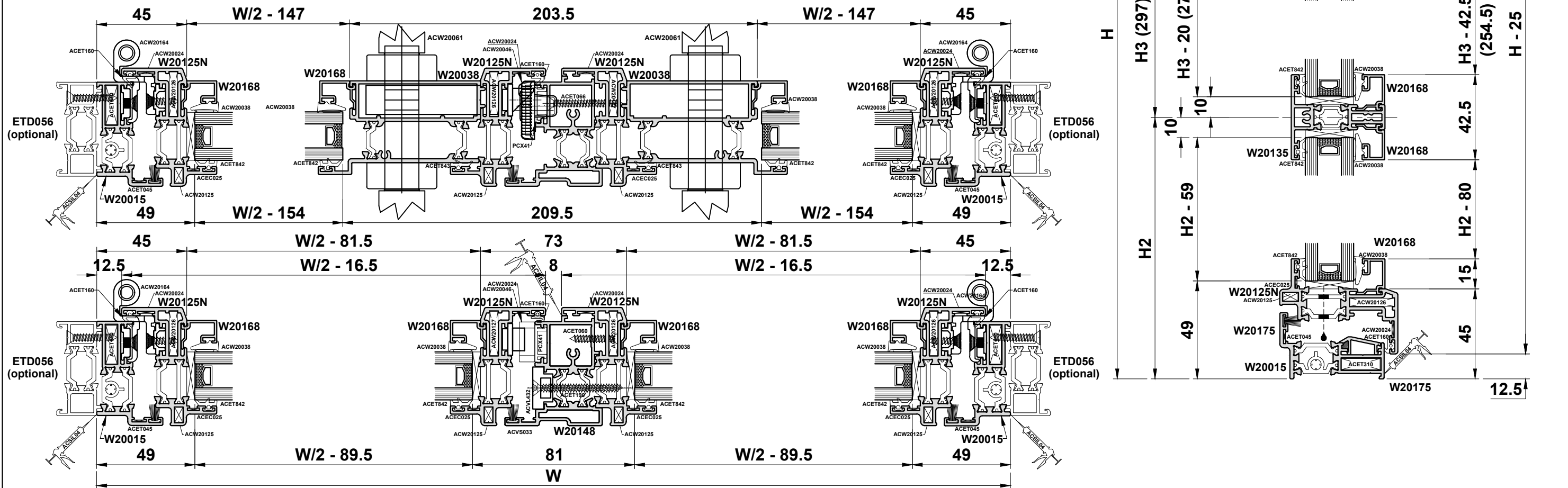
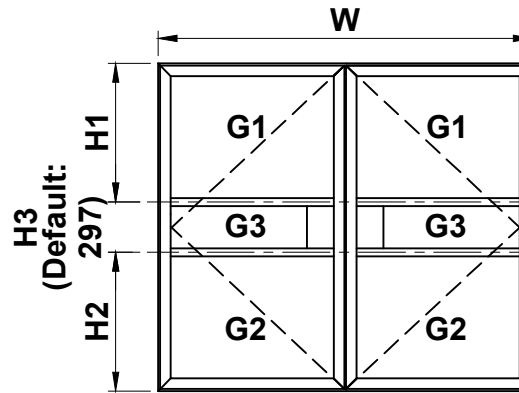
W20015		2		H
W20015		2		W
W20125N		4		W/2 - 16.5
W20125N		4		H - 25
W20135		4		W/2 - 81.5
W20038		2		285
W20148		1		H - 63
W20168		8		W/2 - 81.5
W20168		4		W/2 - 147
W20168		4		H1 - 80
W20168		4		H2 - 80
W20168		4		H3 - 42.5
W20175		1		W - 36
PCX41		1		1xW & 3xH

Glass

G1	2 x	W/2 - 89.5 x H1 - 59
G2	2 x	W/2 - 89.5 x H2 - 59
G3	2 x	W/2 - 154 x H3 - 20

Accessories

ACET045	Chevrons	6	ACW20432	Shoot Bolt Keeps	2
ACET045	Chevrons	6	ACET067	S/S CSK S/T Screw	15
ACET066	Transom/Mullion Screw	20	ACET390	Polyamide Screw	8
ACET160	Vent Frame Seal	4 x(W/2-16) + 3 x(H-25)	ACW20058	Cylinder	1
ACET310	Outer Frame Cleats	4	ACW20061	Door Handle	1 Pair
ACET380	Run-Up Block	4	ACET843	Seal	H3 x 2
ACET842	E Gasket	12x(W/2-85) + 4x(H-95)			
ACGSL045	Drainage Caps	4			
ACVL432	Shootbolt	2			
ACVS033	Outer Frame Seal	2 x (W-60) + 3 x (H-60)			
ACW20024	Chevrons	8			
ACW20038	Wedge Gasket	12x(W/2-85) + 4x(H-95)			
ACW20164	Hinges	8			
ACW20065	Multi-Point Lock	1			
ACW20067	Roller Keeps	4			
ACW20125	Vent Frame Cleats	8			
ACW20126	Vent Frame Cleats	8			
ACW20148	W20148 End Cap	1 Pair			
ACW20166L/R	Centre Keep	1			



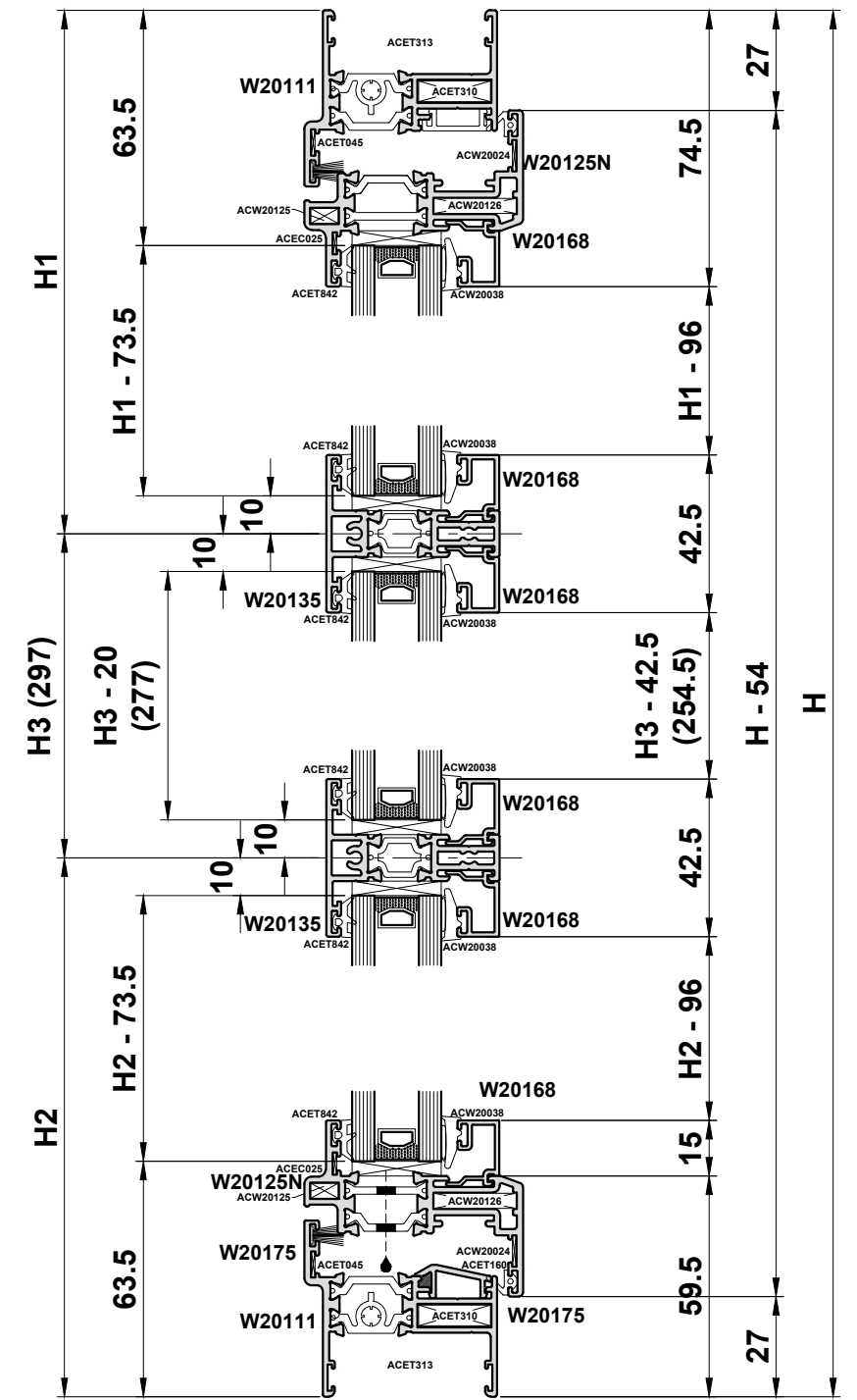
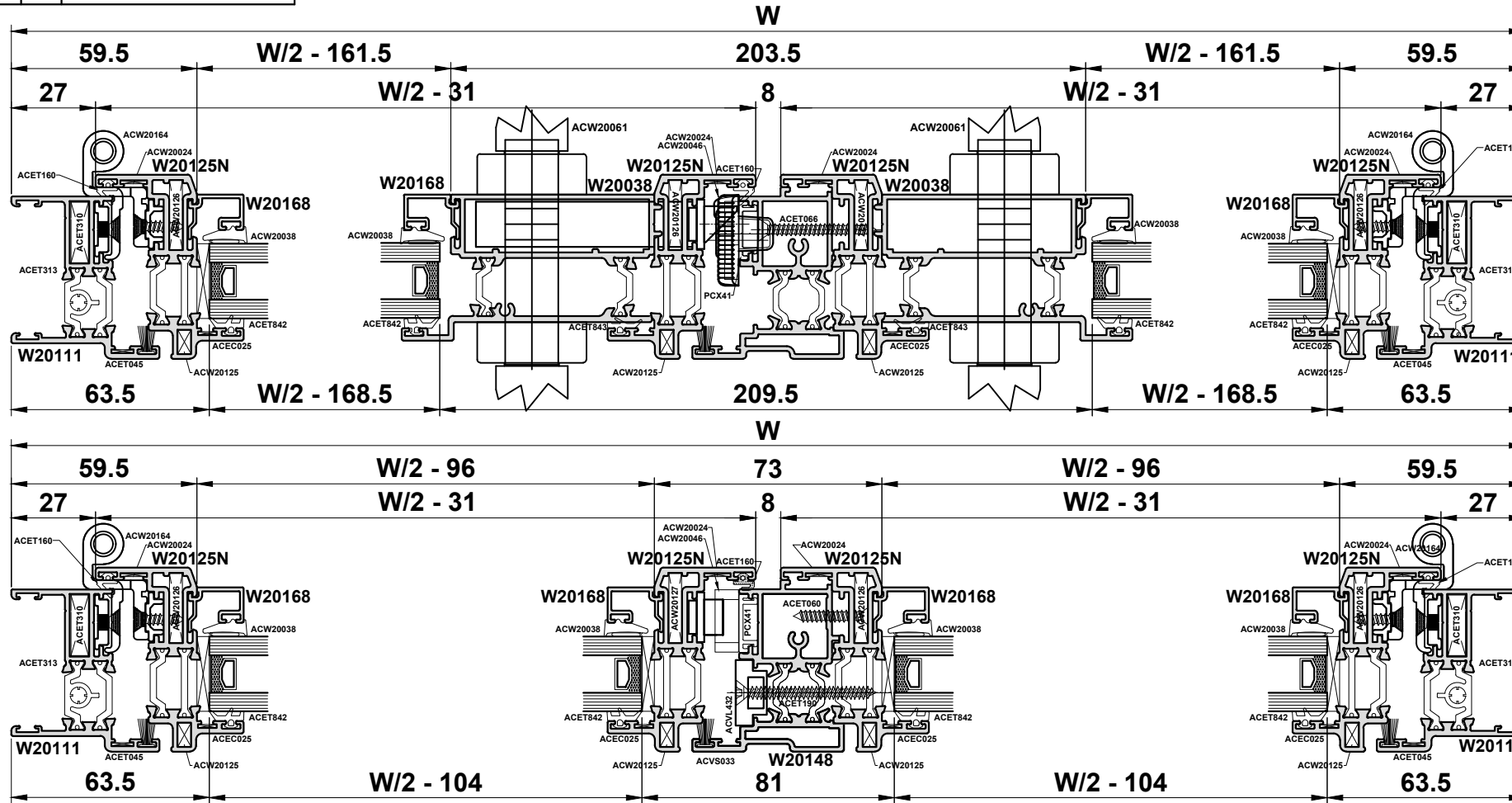
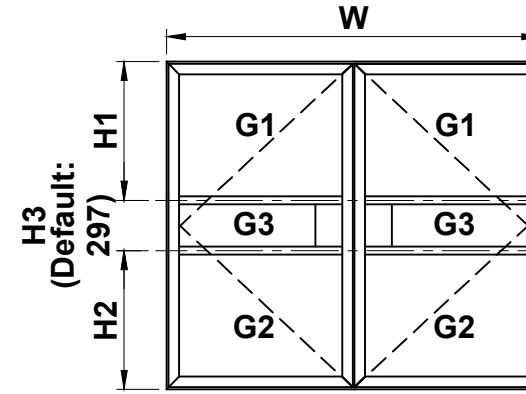
Do Not Scale From This Drawing

Cutting Information - Open In Double Door

Profiles			
W20111		2	H
W20111		2	W
W20125N		4	W/2 - 31
W20125N		4	H - 54
W20135		4	W/2 - 96
W20038		2	285
W20148		1	H - 83
W20168		8	W/2 - 96
W20168		4	W/2 - 161.5
W20168		4	H1 - 96
W20168		4	H2 - 96
W20168		4	H3 - 42.5
W20175		1	W - 59
PCX41		1	1xW & 3xH

Glass			
G1	2 x	W/2 - 104 x H1 - 73.5	
G2	2 x	W/2 - 104 x H2 - 73.5	
G3	2 x	W/2 - 168.5 x H3 - 20	

Accessories					
ACET045	Chevrons	6	ACW20432	Shoot Bolt Keeps	2
ACET045	Chevrons	6	ACET067	S/S CSK S/T Screw	15
ACET066	Transom/Mullion Screw	20	ACET390	Polyamide Screw	8
ACET160	Vent Frame Seal	4 x(W/2-16) + 3 x(H-25)	ACW20058	Cylinder	1
ACET310	Outer Frame Cleats	4	ACW20061	Door Handle	1 Pair
ACET380	Run-Up Block	4	ACET313	Outerframe Foam	2H + 2W
ACET842	E Gasket	12x(W/2-85) + 4x(H-95)	ACET843	Seal	H3 x 2
ACGSL045	Drainage Caps	4			
ACVL432	Shootbolt	2			
ACVS033	Outer Frame Seal	2 x (W-60) + 3 x (H-60)			
ACW20024	Chevrons	8			
ACW20038	Wedge Gasket	12x(W/2-85) + 4x(H-95)			
ACW20164	Hinges	8			
ACW20065	Multi-Point Lock	1			
ACW20067	Roller Keeps	4			
ACW20125	Vent Frame Cleats	8			
ACW20126	Vent Frame Cleats	4			
ACW20148	W20148 End Cap	1 Pair			
ACW20166L/R	Centre Keep	1			



Do Not Scale From This Drawing