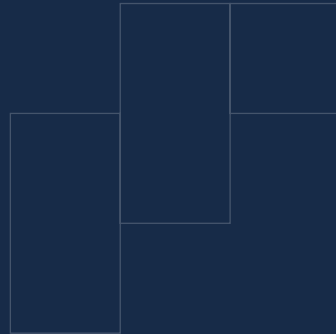


OMNIA

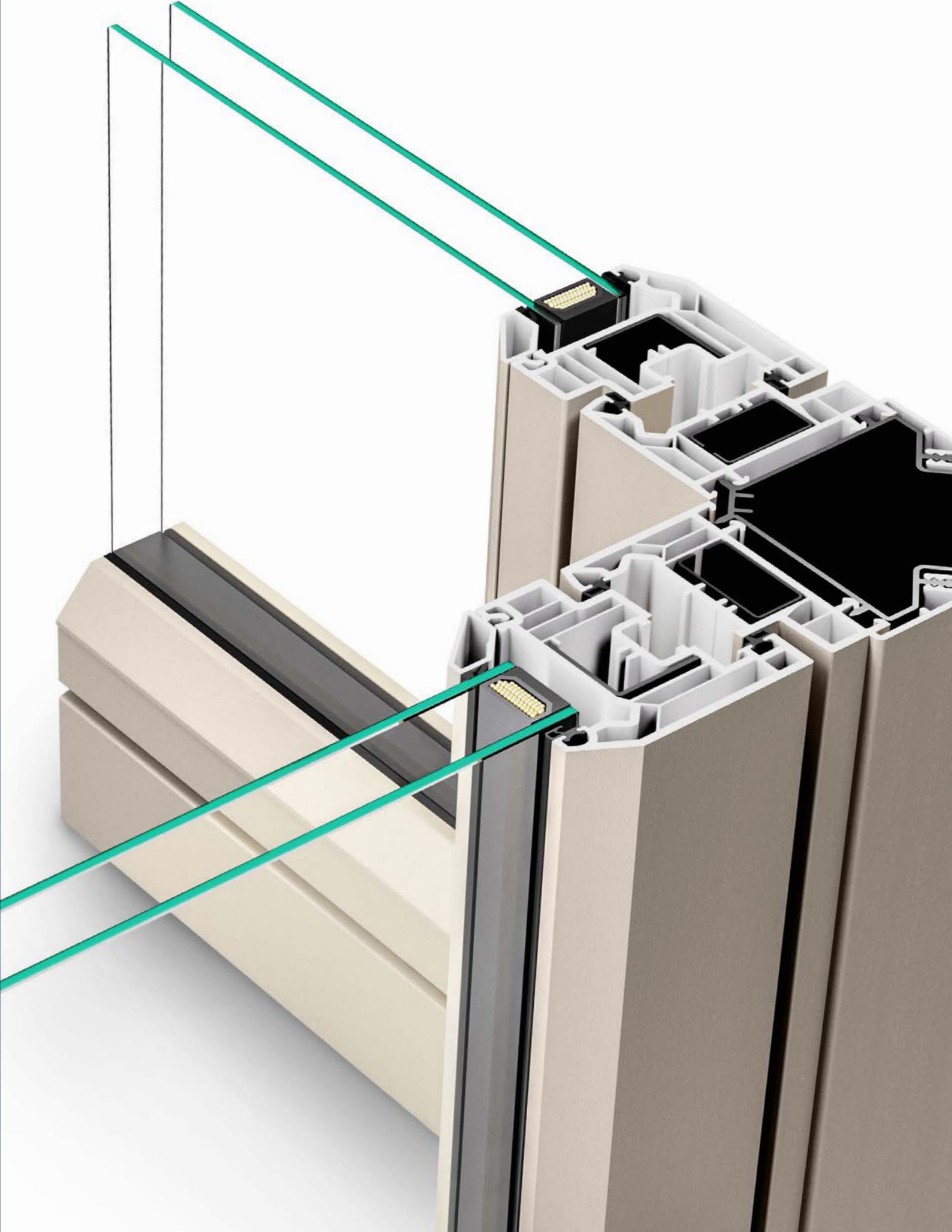


Innovation
through detail



Innovation reinvented

This is no ordinary profile system; it's a trailblazing, quantum leap in PVCu fabrication. A pioneering new suite of extrusions for double flush windows and doors. Designed by fabricators for fabricators. So you can stand out from the crowd with high quality, highly-desirable products that satisfy the growing demand for flush windows. Efficiently and with maximum profit.



A profile that ticks all the boxes

With over 50 years of experience and expertise in engineering innovative window and door systems, VEKA has a name for outstanding quality.

But your reputation is just as important as ours. Which is why we've worked in close collaboration with fabricators to design a product that supports all your manufacturing needs, as well as the aspirations of installers and customers.

OMNIA is designed to deliver:

A pioneering profile for Double Flush, Double Rebated Windows and Doors

Casement Windows, Tilt & Turn, French Doors, Residential Doors

True flush appearance – inside and out

A themed colour palette of foil shades with texture options

Full compliance with 2025 building regulations and beyond

Smart design features that optimize efficiency, manufacture and installation

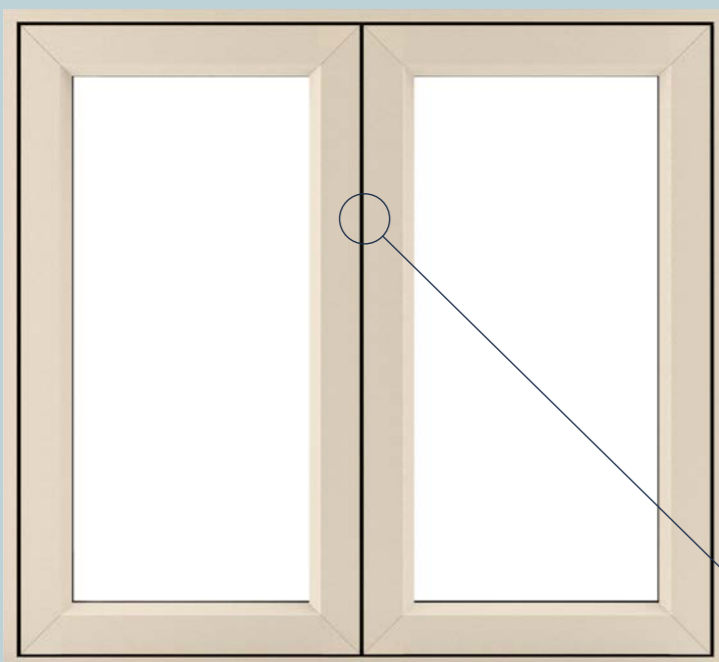
Market-leading performance for security and weather performance



Every detail considered.

With OMNIA, the real beauty is in the manufacturing details.

Using insights from leading fabricators, we've produced a comprehensive, true Double Flush suite that blends the time-tested features you expect from VEKA with pioneering thinking that will revolutionise your approach to window fabrication.



Invisible mullions

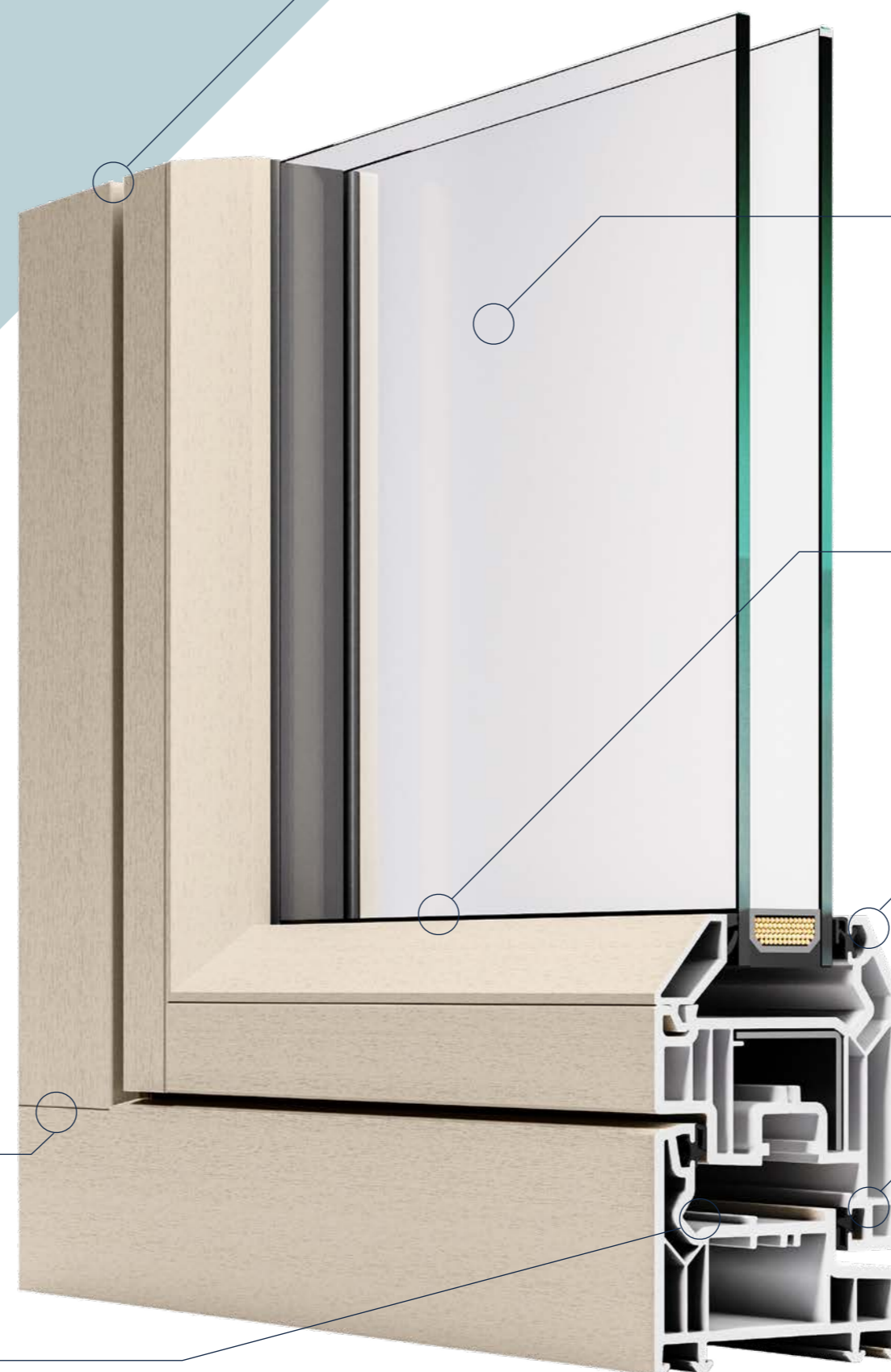
OMNIA windows can be constructed with invisible mullions that preserve the simplicity of the profile.

Mechanical jointing

OMNIA supports mechanical jointing techniques including Timberweld and our own ProJoin Gen 2.

Rider block mechanism

A click and connect rider block helps to maintain the integrity of the profile to support construction and improve security.



70mm frame depth

A quick and simple retrofit solution that will make life far easier for specifiers and installers.

U Value as low as 0.79

OMNIA casements promise superior standards of energy saving, weather protection and acoustic performance. The system is vacuum glass compatible and promises excellent thermal properties when glazed with triple (0.79 W/m²K) or double (1.2 W/m²K) glazed units.

Beading options

OMNIA is compatible with our standard beading. However, it also has the option of classic putty and rebated glazing beads for applications that demand a more traditional-looking profile.

PCE gaskets included

Forget fitting every gasket by hand. We've automatically mated the PCE gaskets with the OMNIA extrusions. Smart thinking that saves on time-consuming processes and reduces your overall production costs.

Double rebates

OMNIA features two rebates as standard, which means you can promise customers the ultimate performance in sealing the aperture against the elements.



Product:
Tilt and Turn Window
Residential Door
Colour:
Black Ulti Matt

Outstanding performance.

It goes without saying that OMNIA is designed with the highest industry standards in mind.

The profile has been rigorously tested to ensure it meets industry norms for security and weather performance, and features the latest kitemarks.

<p>Weather performance</p> <p>Tested to BS BS6375 parts 1, 2 & 3.</p>	<p>Enhanced security</p> <p>PAS 24</p>	<p>Thermal performance</p> <p>As low as 0.79 U Value</p>
--	---	---

Do you need an energy performance calculation?

Ask a member of the VEKA Technical Team about our BSI notified and BFRC certified tool, WinDoPlan. It can help you to generate accurate SELs/DSELs in accordance with BFRC and notified U-Values for CE Marking in accordance with EN 14351.

Colour, covered.

Our colour palette has three distinctive moods that are designed to appeal to every taste and enhance every style of masonry.

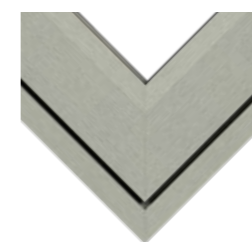
Grains and finishes are also available to add texture, so your windows and doors stand out for all the right reasons.

Colour	Sides	Base	Similar RAL
PX White	1	White	9010
PX White	2	White	9010
Cream/White**	2	White	9001/9010
Claystone ◇ NEW	1	White	N/A
Claystone/White ◇ NEW	2	White	N/A
Agate Grey	1	White	7038
Agate Grey/White**	2	White	7038/9010
Pebble Grey	1	White	7032
Pebble Grey/White**	2	White	7032/9010
Chartwell Green	1	White	6021
Anthracite Grey	1	White	7016
Anthracite Grey	2	Grey	7016
Anthracite Grey/White**	2	White	7016/9010
Beck Brown	1	White	8022
Beck Brown	2	Grey	8022
Beck Brown/White**	1	White	8022/9010
Anthracite Grey Smooth	1	White	7016
Anthracite Grey Smooth	2	Grey	7016/9010
Irish Oak	2	Grey	1011
New MTO Colours			
Ginger Oak ◇ NEW	MTO	MTO	N/A
Sage Green ◇ NEW	MTO	MTO	N/A
Ulti Matt Black ◇ NEW	MTO	MTO	N/A

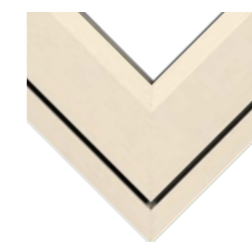
Colours



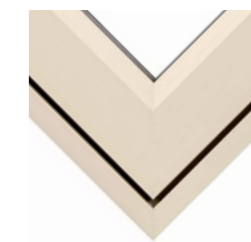
White



Agate Grey



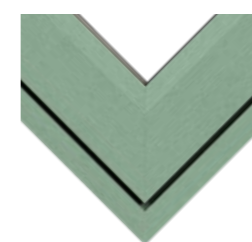
Cream



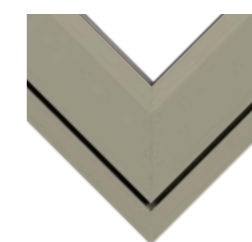
Claystone
◇ NEW



Pebble Grey



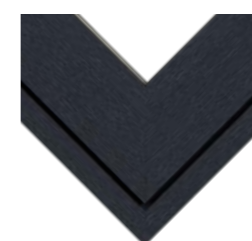
Chartwell Green



Sage Green
◇ NEW



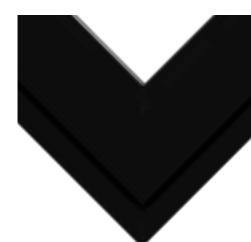
Anthracite Grey
(Smooth)



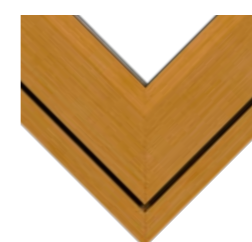
Anthracite Grey
(Grained)



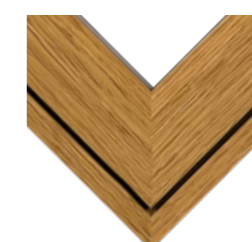
Beck Brown



Ulti Matt Black
◇ NEW



Irish Oak



Ginger Oak
◇ NEW

Our full MTO offer is available to view in our Variations brochure
Colours are for illustration purposes only, we highly recommend requesting a swatch before placing an order
**White internal face

Components and ancillaries

KEY:
 ■ PVC
 ■ Gasket
 ■ Steel
 ■ Aluminium

101364
 55mm Outer Frame
 Steel Box 113421
 Steel G Section 113425
 Thermal Insert 143028
 Ported Aluminium 115020

101365
 67mm Outer Frame
 Steel Box 113422
 Steel P Section 113418
 Steel G Section 113426
 Thermal Insert 143029
 Ported Aluminium 115021

102348
 84mm T Mullion
 Steel Box 113422
 Steel P Section 113418
 Steel G Section 113426
 Thermal Insert 143029
 Ported Aluminium 115021

102347
 62mm Mullion
 Steel U Section 113171
 Ported Aluminium 115026

102349
 84mm Z Mullion
 Steel Box 113422
 Steel P Section 113418
 Steel G Section 113426
 Thermal Insert 143029

102297
 68mm T Mullion
 Steel Box 113412
 Ported Aluminium 115025

102299
 82mm Mullion
 Steel Box 113422
 Steel P Section 113418
 Steel G Section 113426
 Ported Aluminium 115024

103367
 115mm Open Out Door Sash/T Midrail
 Steel U Channel 113414
 Aluminium Box 115116
 Steel Box 113424

103420
 76mm T Window Sash
 Steel F Section 113429
 Steel U Section 113427
 Steel L Section 113428

103421
 76mm Z Window Sash
 Steel F Section 113429
 Steel U Section 113427
 Steel L Section 113428

103622
 105mm Z Door Sash
 Steel U Channel PI0100_057
 Prepped Steel U PI0100_057
 Aluminium Box 115116

103623
 105mm T Door Sash
 Steel U Channel PI0100_057
 Prepped Steel U PI0100_057
 Aluminium Box 115116

101308
 55mm Outer Frame
 Steel Box 113421
 Steel G Section 113425
 Thermal Insert 143029

101309
 67mm Outer Frame
 Steel Box 113422
 Steel G Section 113426
 Thermal Insert 143029

104137
 39mm Aluminium Threshold

104136
 Part M Threshold

104138
 Part M Threshold Seal Carrier

112426
 Threshold Barrier Seal

107154
 28mm Bevelled Glazing Bead

107153
 28mm Sculptured Glazing Bead

107218
 36mm Glazing Bead

107228
 40mm Glazing Bead

107156
 44mm Glazing Bead (no gasket)

107183
 28mm Putty Glazing Bead

107182
 28mm Rebated Glazing Bead
 109858 107182 End Cap

112050
 5mm Gasket (for 107123)

112135
 2.5mm Gasket (for 107156)

112279
 3.5mm Repair Gasket

104498
 Floating Mullion Adapter

115020
 33 x 20 Ported Aluminium

113418*
 32 x 25mm Steel P Section

113425
 17 x 19mm Steel G Section

113426
 16 x 31mm Steel G Section

113422
 32 x 29mm Steel Box

113412
 36 x 11mm Steel Box

113421
 32 x 17mm Steel Box

113173.1
 37 x 53 - 1.5mm Steel U Channel

113173.2
 37 x 53 - 3mm Steel U Channel Pre Routed

113429
 Window Sash F Steel Pre Routed - 475 / 775 / 1075 / 1150 / 1200

113172
 Screw Retention Steel

115024
 35 x 29 Ported Aluminium for 102299

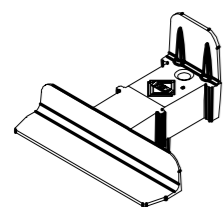
115021
 33 x 33 Ported Aluminium

115022
 39 x 56 Door Sash Ported Aluminium

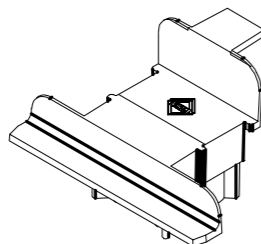
115116
 36 x 56mm Mech Joint Aluminium Box

Components and ancillaries

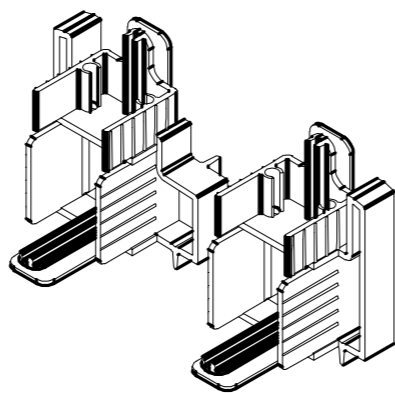
KEY:
 ■ PVC
 ■ Gasket
 ■ Steel
 ■ Aluminium



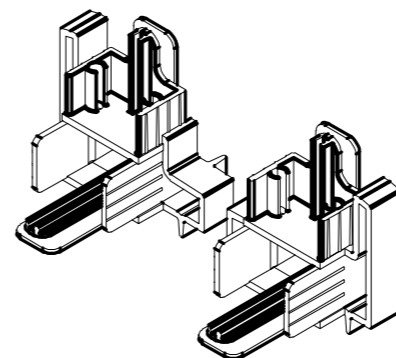
109859
End Cap Moulding for 102347



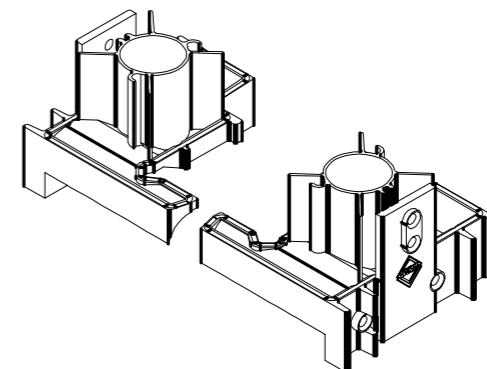
109860
End Cap Moulding for 102348



109861
ProJoin 101365 Outer Frame



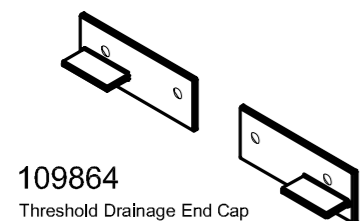
109862
ProJoin 101364 Outer Frame



109863
104136 Threshold End Cap



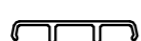
109866
ProJoin Universal Moulding



109864
Threshold Drainage End Cap



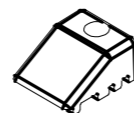
109045
Eurogroove Infill



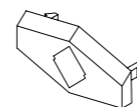
105173
Universal Frame Infill



109230
Head Drip



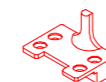
109865
Adjustable Rider Block



109267
Drainage Cap



709013
Drainage Cap



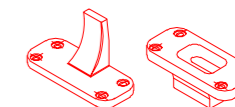
744755
Security Claw



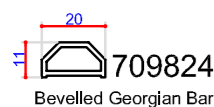
709218
Security Claw Receiver for Laird std, DGS std & Securstyle std



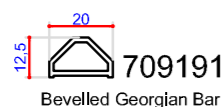
709219
Security Claw Receiver for Laird E4 Egress



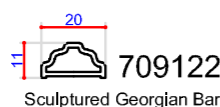
744769
Door Security Claw & Keep



709824
Bevelled Georgian Bar



709191
Bevelled Georgian Bar



709122
Sculptured Georgian Bar



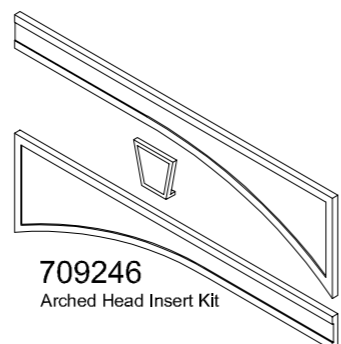
709189
Georgian Bar



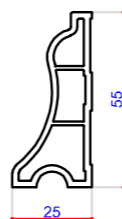
709183
Cruciform Cover Moulding for 709189



1mm x 16.5mm Tape (20mm Georgian Bar)
744615.000100 White
744615.001000 Black



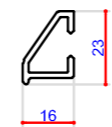
709246
Arched Head Insert Kit



709192
Weather Bar



709223
End Cap



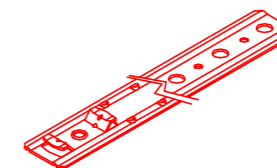
709317
Weather Bar



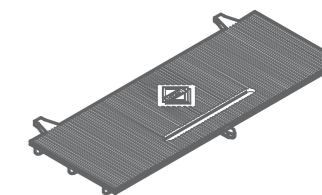
709232
End Cap



744163
Fixing Nipple



141428 Frame Fixing Bracket.
Available sizes 175, 200 & 250mm



109060 Clip In Packer

VEKA Group Universal components & ancillaries

KEY:
 PVC
 Gasket
 Steel
 Aluminium

114063 15mm Frame Extension

114061 30mm Frame Extension
 36 x 11 Steel Box 113412
 35 x 12 Steel Box 713187

114062 45mm Frame Extension
 35 x 28 Steel Box 713191

110103 150mm Cill
 40 x 15 Steel Box 713016
 90 Coupler 109089
 End Caps 109006

710040 150mm Cill
 40 x 15 Steel Box 713016
 End Caps 709138

110106 225mm Cill
 38 x 19 Steel U Channel 113317
 38 x 20 Steel Box 113245

110123 180mm Cill
 40 x 15 Steel Box 713016
 End Caps 109259

113112 Vertical Dogbone Coupler
116012 Covering Profile

115117 20mm Vertical Aluminium Coupler
716323 Plain Cover

704811 20mm Thermally Broken Vertical Aluminium Coupler
716323 Plain Cover

104474 6mm Vertical Aluminium Coupler
709126 PVC Cover

116058 Small H Coupler

109045 Eurogroove Infill (white only)

116030 Concealed Vertical Coupler

116217 2mm Vertical Coupler

704368 Expansion Joint Plain Cover
716323 Brush Pile
744961

709192 Weather Bar

709317 Weather Bar

109267 Drainage Cap

709223 End Cap

709232 End Cap

709825 Clip-on Cover

709300 Fixing Retainer

744783 Head/Base Plate for 116063

744550 Head Plate for 116064

744551 Head Plate for 116065

744549 Head Plate for 704801

709321 90° Plain Post Cover

709167 Plain Post Cover

709168 Sculptured Post Cover

709162 90° Sculptured Post Cover

116063 90° Bay Post

744783 Head/Base Plate for 116063

109167 Profile Cover Cap

709246 Arched Head Insert Kit

113128 Plant On Reinforcement
109195 Cover Profile

110122 85mm Cill
 40 x 15 Steel Box 713016
 End Caps 109258

709824 External Georgian / Astragal Bar

709189 External Georgian / Astragal Bar

709191 External Georgian / Astragal Bar

709122 External Georgian / Astragal Bar

109130 34mm External Georgian / Astragal Bar
 2mm x 30mm Tape (For 34mm Bar)
 146106.000100 White
 146106.001000 Black

109230 Head Drip

105173 Universal Frame Infill

744163 Fixing Nipple

141428 (VEKA) Frame Fixing Bracket (Available sizes 175, 200 & 250mm)

110067 Odd leg adapter

110104 Odd leg adapter

709183 Cruciform Cover mould for 709189

1mm x 16.5mm Tape (For 20mm Bar)
 744615.000100 White
 744615.001000 Black

709165 150° Plain Post Cover

709166 150° Sculptured Post Cover

116065 150° Bay Post

744564 Base Plate for 116065

109060 Clip in Packer

709164 Post Cover Small 120° - 145°

709163 Post Cover Small 146° - 170°

744543 Variable Base Plate

709168 Sculptured Post Cover 120° - 145°

709167 Plain Post Cover 120° - 145°

709166 Sculptured Post Cover 146° - 170°

709165 Plain Post Cover 146° - 170°

704801 Variable Bay Pole

109059 Adapter

709164 Post Cover Small 120° - 145°

709163 Post Cover Small 146° - 170°

744543 Variable Base Plate

Used in conjunction with head/base plates for load bearing applications.

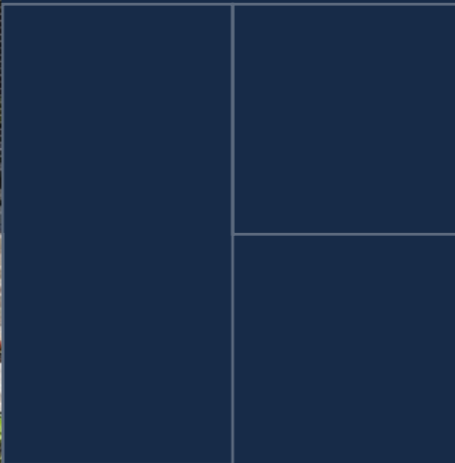
M16 x 1.5mm Tight Thread Nut (Non-VEKA Part)

744556 Transfer Stud

744557 Load Transfer Base Plate

Clarification on reinforcement orientation can be obtained via WinDoPlan. DO NOT SCALE the drawings shown are visual representations only. VEKA PLC has the right to alter the designs, specification & descriptions without prior notice as part of our policy of continuous development and improvements.

Product:
Tilt and Turn Windows Upstairs,
Casement Windows Downstairs
with Residential Door
Colour:
Anthracite Grey



OMNIA

by *imagine* a VEKA plc brand

Images are for illustration purpose only. We reserve the right to change product specification at any time.
Due to the limitations of the printing process we recommend that an accurate colour swatch is requested prior to ordering.
The company cannot accept any responsibility for colours or images shown in this brochure.
All information within this brochure is correct at time of going to print.

